

M40 - 1 1/2" PULSE METERS

The M40 is the medium to large capacity meter in the M Series range. It has the ability to handle a wide range of fluid viscosities with exceptional levels of repeatability and durability.



M40ARP-I

Product Benefits

- Compact size.
- Two independent pulse units which can be linked to allow doubling of the pulse output (or in-built spare if used as single).
- Has IP66/NEMA6 protection and Flameproof Certification.
- Flexibility of installation options (e.g. can be mounted horizontally or vertically; no flow conditioning required).
- Low pressure drop allows for economical pump selection or gravity flow applications.
- Meter construction enables fast and easy on-site servicing without removal from application.
- Meter accuracy is verified by a factory calibration check after which an individual metrology report is issued.
- Meter design minimises the number of wearable and replaceable parts and extends product life.
- Will handle particle sizes to 0.38mm/0.015".

STANDARDS AUSTRALIA 

MODEL	M40ARP-X	M40ASP-X	M40SRP-X	M40SSP-X
METER TYPE	PULSE	PULSE	PULSE	PULSE
METER BODY MATERIAL	AA601 ALUMINIUM	AA601 ALUMINIUM	316 STAINLESS STEEL	316 STAINLESS STEEL
WETTED COMPONENTS: ROTOR MATERIAL SHAFTS O-RING	PPS 316 STAINLESS STEEL NBR (NITRILE)	316 STAINLESS STEEL 316 STAINLESS STEEL NBR (NITRILE)	PPS 316 STAINLESS STEEL NBR (NITRILE)	316 STAINLESS STEEL 316 STAINLESS STEEL NBR (NITRILE)
FLOW RATE RANGES (litres per minute/US gallons per minute) ABOVE 5 CPS BELOW 5 CPS	10 to 250 / 2.6 to 66 15 to 235 / 4 to 62	10 to 250 / 2.6 to 66 15 to 235 / 4 to 62	10 to 250 / 2.6 to 66 15 to 235 / 4 to 62	10 to 250 / 2.6 to 66 15 to 235 / 4 to 62
ACCURACY- WITHIN (OF READING)	+/- 0.5%	+/- 0.5%	+/- 0.5%	+/- 0.5%
REPEATABILITY	0.03%	0.03%	0.03%	0.03%
MAXIMUM VISCOSITY (OF STANDARD MODEL)	1000 Centipoise	1000 Centipoise	1000 Centipoise	1000 Centipoise
MAXIMUM OPERATING PRESSURE	5500kPa/ 800 PSI/ 55 BAR OR FLANGE RULE WHERE FITTED			
PULSER TYPE	HALL EFFECT OR REED SWITCH OR COMBINATION HE /RS	HALL EFFECT OR REED SWITCH OR COMBINATION HE /RS	HALL EFFECT OR REED SWITCH OR COMBINATION HE /RS	HALL EFFECT OR REED SWITCH OR COMBINATION HE /RS
PULSES PER LITRE/US GALLON	14.5 OR 29 / 54.9 OR 109.8	14.5 OR 29 / 54.9 OR 109.8	14.5 OR 29 / 54.9 OR 109.8	14.5 OR 29 / 54.9 OR 109.8
MAX. OPERATING TEMPERATURE	80°C / 176°F	120°C / 248°F	80°C / 176°F	120°C / 248°F
RECOMMENDED MESH STRAINER SIZE	60 MESH	60 MESH	60 MESH	60 MESH

Port Size To order flowmeter you must replace 'X' with the relevant number. This number will determine the following specifications:

Port Size:

- 1 = 1 1/2" BSP (F) ports
- 2 = 1 1/2" NPT (F) ports
- 3 = 1 1/2" ANSI 150lb Flange
- 4 = 1 1/2" ANSI 150lb Flange
- 5 = 40mm DIN 16 Flange

Electrical Conduit Connection:

- 20mm (F)
- 1/2" NPT (F)
- 20mm (F)
- 1/2" NPT (F)
- 20mm (F)

Calibrated and Display In:

- Litres
- US Gallons
- Litres
- US Gallons
- Litres

PPS = Polyphenylene Sulfide Resins



M40 - 1 1/2" PULSE METERS

TYPE M40 - 1 1/2" PULSE METERS

Weights

MODEL	M4OARP-1	M4OARP-2	M4OARP-3	M4OARP-4	M4OARP-5
WEIGHT	4.5kg/9.9lbs	4.5kg/9.9lbs	4.5kg/9.9lbs	4.5kg/9.9lbs	4.5kg/9.9lbs
MODEL	M4OASP-1	M4OASP-2			
WEIGHT	4.9kg/10.8lbs	4.9kg/10.8lbs			
MODEL	M4OSRP-1	M4OSRP-2	M4OSRP-3	M4OSRP-4	M4OSRP-5
WEIGHT	8.5kg/18.7lbs	8.5kg/18.7lbs	8.5kg/18.7lbs	8.5kg/18.7lbs	8.5kg/18.7lbs
MODEL	M4OSSP-1	M4OSSP-2	M4OSSP-3	M4OSSP-4	M4OSSP-5
WEIGHT	9.5kg/20.9lbs	9.5kg/20.9lbs	9.5kg/20.9lbs	9.5kg/20.9lbs	9.5kg/20.9lbs

Options & Accessories

M40 - 1 1/2" METER	VITON O-RING	TEFLON O-RING	EPDM O-RING	HIGH TEMP ROTORS	HIGH VISCOSITY ROTORS	HALL EFFECT SENSOR	REED SWITCH	SOLVENT KIT	HASTALLOY C SHAFTS	PROTECTIVE BOOT	EXTENDED LIFE BATTERY	REMOTE MOUNTED LC DISPLAY	HEATING JACKET	4-20mA MODULE
M4OARP-X	O	O	O	O	O	O	S	X	X	X	X	A	A	A
M4OASP-X	O	O	O	S	O	O	S	X	X	X	X	A	A	A
M4OSRP-X	O	O	O	O	O	O	S	X	X	X	X	A	A	A
M4OSSP-X	O	O	O	S	O	O	S	X	X	X	X	A	A	A

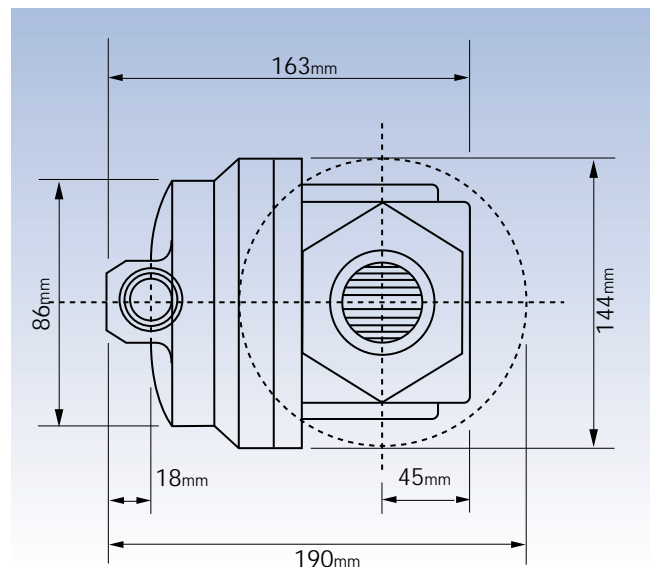
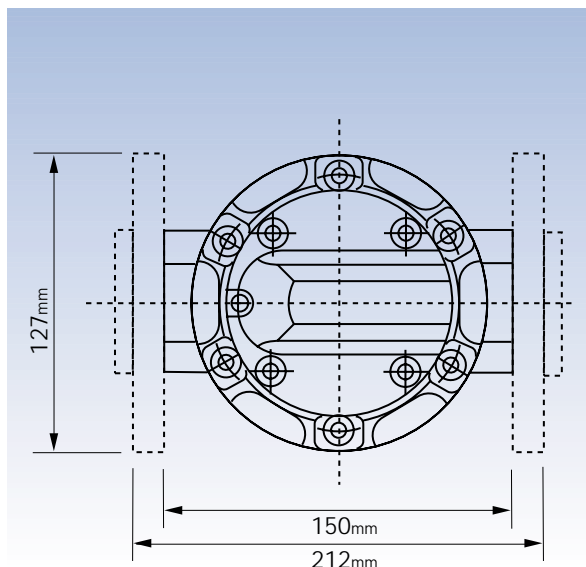
S = Standard

O = Optional

X = Not Available

A = Accessory

Dimensions



M40 - 1 1/2" PULSE METERS WITH STANDARD LC DISPLAY

The M40 is the medium to large capacity meter in the M Series range. It has the ability to handle a wide range of fluid viscosities with exceptional levels of repeatability and durability.



M40ARG-I

Product Benefits

- Compact size.
- Flexibility of installation options (e.g. can be mounted horizontally or vertically; no flow conditioning required).
- Built in auxiliary pulse output available.
- Low pressure drop allows for economical pump selection or gravity flow applications.
- Meter construction enables fast and easy on-site servicing without removal from application.
- Meter accuracy is verified by a factory calibration check after which an individual metrology report is issued.
- Meter design minimises the number of wearable and replaceable parts and extends product life.
- LC Display meets European CE directive.
- Has IP54/NEMA13 protection.
- Will handle particle sizes to 0.38mm/0.015".

MODEL	M40ARG-X	M40ASG-X	M40SRG-X	M40SSG-X
METER TYPE	PULSE WITH STANDARD LC DISPLAY	PULSE WITH STANDARD LC DISPLAY	PULSE WITH STANDARD LC DISPLAY	PULSE WITH STANDARD LC DISPLAY
METER BODY MATERIAL	AA601 ALUMINIUM	AA601 ALUMINIUM	316 STAINLESS STEEL	316 STAINLESS STEEL
WETTED COMPONENTS:				
ROTOR MATERIAL	PPS	316 STAINLESS STEEL	PPS	316 STAINLESS STEEL
SHAFTS	316 STAINLESS STEEL	316 STAINLESS STEEL	316 STAINLESS STEEL	316 STAINLESS STEEL
O-RING	NBR (NITRILE)	NBR (NITRILE)	NBR (NITRILE)	NBR (NITRILE)
FLOW RATE RANGES (litres per minute/US gallons per minute)				
ABOVE 5 CPS	10 to 250 / 2.6 to 66	10 to 250 / 2.6 to 66	10 to 250 / 2.6 to 66	10 to 250 / 2.6 to 66
BELOW 5 CPS	15 to 235 / 4 to 62	15 to 235 / 4 to 62	15 to 235 / 4 to 62	15 to 235 / 4 to 62
ACCURACY- WITHIN (OF READING)	+/- 0.5%	+/- 0.5%	+/- 0.5%	+/- 0.5%
REPEATABILITY	0.03%	0.03%	0.03%	0.03%
MAXIMUM VISCOSITY (OF STANDARD MODEL)	1000 Centipoise	1000 Centipoise	1000 Centipoise	1000 Centipoise
MAXIMUM OPERATING PRESSURE	5500kPa/ 800 PSI/ 55 BAR OR FLANGE RULE WHERE FITTED			
PULSER TYPE	REED SWITCH OR COMBINATION HE / RS	REED SWITCH OR COMBINATION HE / RS	REED SWITCH OR COMBINATION HE / RS	REED SWITCH OR COMBINATION HE / RS
PULSES PER LITRE/US GALLON	14.5 / 54.9	14.5 / 54.9	14.5 / 54.9	14.5 / 54.9
MAX. OPERATING TEMPERATURE	80°C / 176°F	120°C / 248°F	80°C / 176°F	120°C / 248°F
RECOMMENDED MESH STRAINER SIZE	60 MESH	60 MESH	60 MESH	60 MESH

Port Size To order flowmeter you must replace 'X' with the relevant number. This number will determine the following specifications:

Port Size:

- 1 = 1 1/2" BSP (F) ports
- 2 = 1 1/2" NPT (F) ports
- 3 = 1 1/2" ANSI 150lb Flange
- 4 = 1 1/2" ANSI 150lb Flange
- 5 = 40mm DIN 16 Flange

Calibrated and Display In:

- Litres
- US Gallons
- Litres
- US Gallons
- Litres

PPS = Polyphenylene Sulfide Resins



M40 - 1 1/2" PULSE METERS WITH STANDARD LC DISPLAY

TYPE M40 - 1 1/2" PULSE METERS

Weights

MODEL	M40ARG-1	M40ARG-2	M40ARG-3	M40ARG-4	M40ARG-5
WEIGHT	4.5kg/9.9lbs	4.5kg/9.9lbs	4.5kg/9.9lbs	4.5kg/9.9lbs	4.5kg/9.9lbs
MODEL	M40ASG-1	M40ASG-2			
WEIGHT	4.9kg/10.8lbs	4.9kg/10.8lbs			
MODEL	M40SRG-1	M40SRG-2	M40SRG-3	M40SRG-4	M40SRG-5
WEIGHT	8.5kg/18.7lbs	8.5kg/18.7lbs	8.5kg/18.7lbs	8.5kg/18.7lbs	8.5kg/18.7lbs
MODEL	M40SSG-1	M40SSG-2	M40SSG-3	M40SSG-4	M40SSG-5
WEIGHT	9.5kg/20.9lbs	9.5kg/20.9lbs	9.5kg/20.9lbs	9.5kg/20.9lbs	9.5kg/20.9lbs

Options & Accessories

M40 - 1 1/2" METER STD LC DISPLAY	VITON O-RING	TEFLON O-RING	EPDM O-RING	HIGH TEMP ROTORS	HIGH VISCOSITY ROTORS	HALL EFFECT SENSOR	REED SWITCH	SOLVENT KIT	HASTALLOY C SHAFTS	PROTECTIVE BOOT	EXTENDED LIFE BATTERY	REMOTE MOUNTED LC DISPLAY	HEATING JACKET	40-20mA MODULE
M40ARG-X	O	O	O	O	O	O	S	X	X	X	X	A	A	A
M40ASG-X	O	O	O	S	O	O	S	X	X	X	X	A	A	A
M40SRG-X	O	O	O	O	O	O	S	X	X	X	X	A	A	A
M40SSG-X	O	O	O	S	O	O	S	X	X	X	X	A	A	A

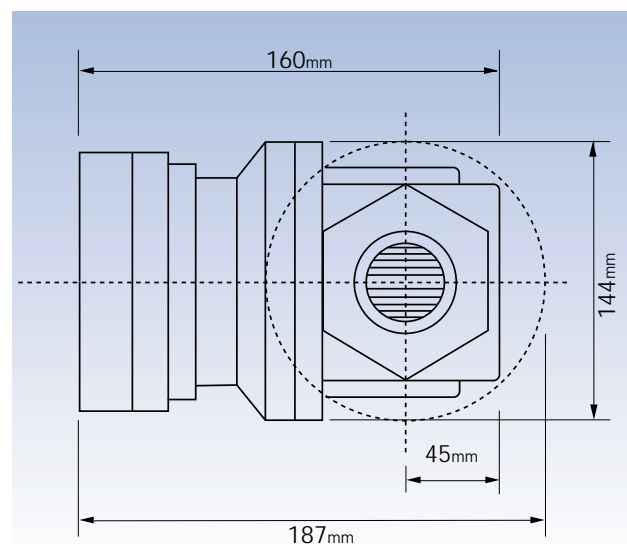
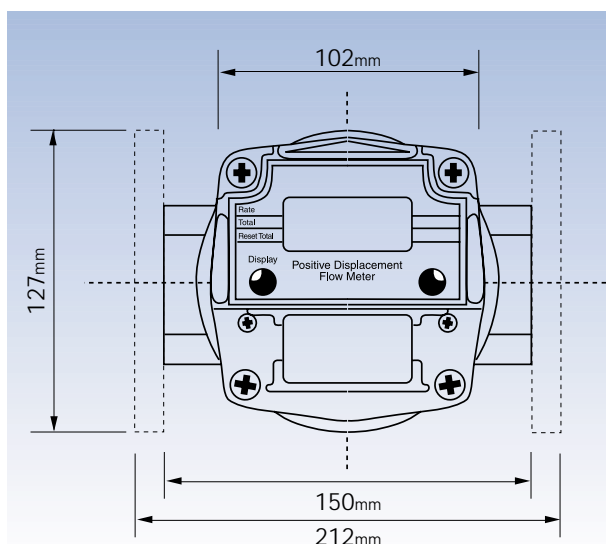
S = Standard

O = Optional

X = Not Available

A = Accessory

Dimensions



M40 - 1 1/2" PULSE METERS WITH DELUXE LC DISPLAY

The M40 is the medium to large capacity meter in the M Series range. It has the ability to handle a wide range of fluid viscosities with exceptional levels of repeatability and durability.



M40ARE-3

Product Benefits

- Compact size.
- Flexibility of installation options (e.g. can be mounted horizontally or vertically; no flow conditioning required).
- Low pressure drop allows for economical pump selection or gravity flow applications.
- Meter construction enables fast and easy on-site servicing without removal from application.
- Meter accuracy is verified by a factory calibration check after which an individual metrology report is issued.
- Will handle particle sizes to 0.38mm/0.015".
- LC Display meets European CE directive.
- Built in auxiliary pulse output available.
- Meter design minimises the number of wearable and replaceable parts and extends product life.
- Intrinsically safe LC Display. Certificate of conformity number PTB Nr. Ex-93.C.4033x.
- Has IP54/NEMA13 protection.

MODEL	M40ARE-X	M40ASE-X	M40SRE-X	M40SSE-X
METER TYPE	PULSE WITH DELUXE LC DISPLAY	PULSE WITH DELUXE LC DISPLAY	PULSE WITH DELUXE LC DISPLAY	PULSE WITH DELUXE LC DISPLAY
METER BODY MATERIAL	AA601 ALUMINIUM	AA601 ALUMINIUM	316 STAINLESS STEEL	316 STAINLESS STEEL
WETTED COMPONENTS:				
ROTOR MATERIAL	PPS	316 STAINLESS STEEL	PPS	316 STAINLESS STEEL
SHAFTS	316 STAINLESS STEEL	316 STAINLESS STEEL	316 STAINLESS STEEL	316 STAINLESS STEEL
O-RING	NBR (NITRILE)	NBR (NITRILE)	NBR (NITRILE)	NBR (NITRILE)
FLOW RATE RANGES (litres per minute/US gallons per minute)				
ABOVE 5 CPS	10 to 250 / 2.6 to 66	10 to 250 / 2.6 to 66	10 to 250 / 2.6 to 66	10 to 250 / 2.6 to 66
BELOW 5 CPS	15 to 235 / 4 to 62	15 to 235 / 4 to 62	15 to 235 / 4 to 62	15 to 235 / 4 to 62
ACCURACY- WITHIN (OF READING)	+/- 0.5%	+/- 0.5%	+/- 0.5%	+/- 0.5%
REPEATABILITY	0.03%	0.03%	0.03%	0.03%
MAXIMUM VISCOSITY (OF STANDARD MODEL)	1000 Centipoise	1000 Centipoise	1000 Centipoise	1000 Centipoise
MAXIMUM OPERATING PRESSURE	5500kPa/ 800 PSI/ 55 BAR OR FLANGE RULE WHERE FITTED			
PULSER TYPE	REED SWITCH OR COMBINATION HE / RS	REED SWITCH OR COMBINATION HE / RS	REED SWITCH OR COMBINATION HE / RS	REED SWITCH OR COMBINATION HE / RS
PULSES PER LITRE/US GALLON	14.5 / 54.9	14.5 / 54.9	14.5 / 54.9	14.5 / 54.9
MAX. OPERATING TEMPERATURE	80°C / 176°F	120°C / 248°F	80°C / 176°F	120°C / 248°F
RECOMMENDED MESH STRAINER SIZE	60 MESH	60 MESH	60 MESH	60 MESH

Port Size To order flowmeter you must replace 'X' with the relevant number. This number will determine the following specifications:

Port Size:

- 1 = 1 1/2" BSP (F) ports
- 2 = 1 1/2" NPT (F) ports
- 3 = 1 1/2" ANSI 150lb Flange
- 4 = 1 1/2" ANSI 150lb Flange
- 5 = 40mm DIN 16 Flange

Calibrated and Display In:

- Litres
- US Gallons
- Litres
- US Gallons
- Litres

PPS = Polyphenylene Sulfide Resins



M40 - 1 1/2" PULSE METERS WITH DELUXE LC DISPLAY

TYPE M40 - 1 1/2" PULSE METERS

Weights

MODEL	M40ARE-1	M40ARE-2	M40ARE-3	M40ARE-4	M40ARE-5
WEIGHT	4.5kg/9.9lbs	4.5kg/9.9lbs	4.5kg/9.9lbs	4.5kg/9.9lbs	4.5kg/9.9lbs
MODEL	M40ASE-1	M40ASE-2			
WEIGHT	4.9kg/10.8lbs	4.9kg/10.8lbs			
MODEL	M40SRE-1	M40SRE-2	M40SRE-3	M40SRE-4	M40SRE-5
WEIGHT	8.5kg/18.7lbs	8.5kg/18.7lbs	8.5kg/18.7lbs	8.5kg/18.7lbs	8.5kg/18.7lbs
MODEL	M40SSE-1	M40SSE-2	M40SSE-3	M40SSE-4	M40SSE-5
WEIGHT	9.5kg/20.9lbs	9.5kg/20.9lbs	9.5kg/20.9lbs	9.5kg/20.9lbs	9.5kg/20.9lbs

Options & Accessories

M40 - 1 1/2" METER DLX LC DISPLAY	VITON O-RING	TEFLON O-RING	EPDM O-RING	HIGH TEMP ROTORS	HIGH VISCOSITY ROTORS	HALL EFFECT SENSOR	REED SWITCH	SOLVENT KIT	HASTALLOY C SHAFTS	PROTECTIVE BOOT	EXTENDED LIFE BATTERY	REMOTE MOUNTED LC DISPLAY	HEATING JACKET	4-20mA MODULE
M40ARE-X	O	O	O	O	O	O	S	X	X	A	A	A	A	A
M40ASE-X	O	O	O	O	S	O	S	X	X	A	A	A	A	A
M40SRE-X	O	O	O	O	O	O	S	X	X	A	A	A	A	A
M40SSE-X	O	O	O	O	S	O	S	X	X	A	A	A	A	A

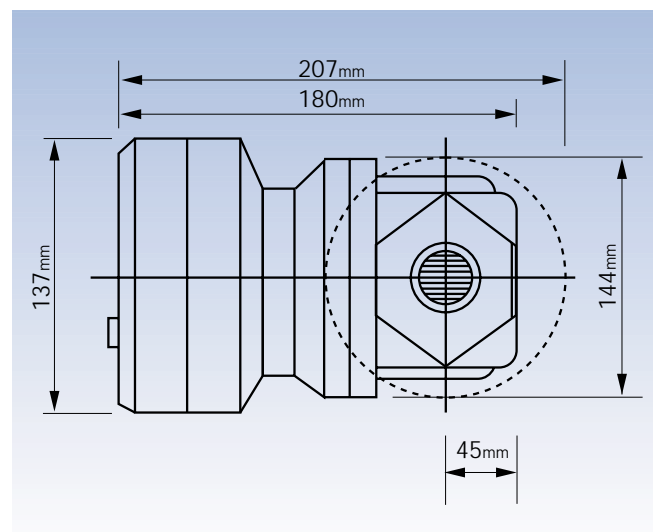
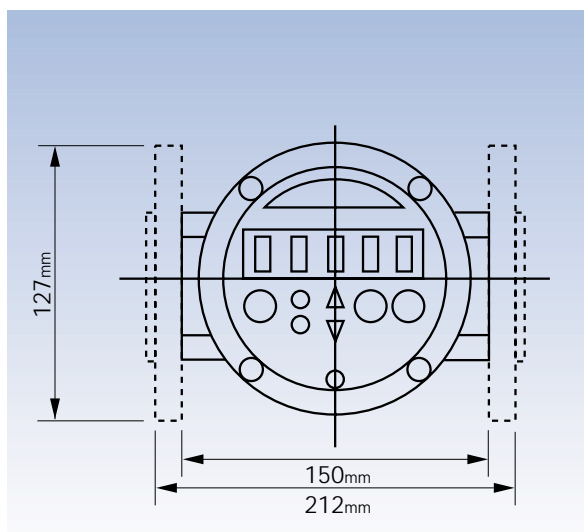
S = Standard

O = Optional

X = Not Available

A = Accessory

Dimensions



M40 - 1 1/2" METERS WITH MECHANICAL DISPLAY

The M40 is the medium to large capacity meter in the M Series range. It has the ability to handle a wide range of fluid viscosities with exceptional levels of repeatability and durability.



M40SRM-H

Product Benefits

- Compact size.
- Easy to read and operate mechanical display.
- Flexibility of installation options (e.g. can be mounted horizontally or vertically; no flow conditioning required).
- Low pressure drop allows for economical pump selection or gravity flow applications.
- Meter construction enables fast and easy on-site servicing without removal from application.
- Meter accuracy is verified by a factory calibration check after which an individual metrology report is issued.
- Meter design minimises the number of wearable and replaceable parts and extends product life.
- Will handle particle sizes to 0.38mm/0.015".

MODEL	M40ARM-X	M40ASM-X	M40SRM-X	M40SSM-X
METER TYPE	METER WITH MECHANICAL DISPLAY	METER WITH MECHANICAL DISPLAY	METER WITH MECHANICAL DISPLAY	METER WITH MECHANICAL DISPLAY
METER BODY MATERIAL	AA601 ALUMINIUM	AA601 ALUMINIUM	316 STAINLESS STEEL	316 STAINLESS STEEL
WETTED COMPONENTS:				
ROTOR MATERIAL	PPS	316 STAINLESS STEEL	PPS	316 STAINLESS STEEL
SHAFTS	316 STAINLESS STEEL	316 STAINLESS STEEL	316 STAINLESS STEEL	316 STAINLESS STEEL
O-RING	NBR (NITRILE)	NBR (NITRILE)	NBR (NITRILE)	NBR (NITRILE)
FLOW RATE RANGES (litres per minute/US gallons per minute)				
ABOVE 5 CPS	10 to 250 / 2.6 to 66	10 to 250 / 2.6 to 66	10 to 250 / 2.6 to 66	10 to 250 / 2.6 to 66
BELOW 5 CPS	15 to 235 / 4 to 62	15 to 235 / 4 to 62	15 to 235 / 4 to 62	15 to 235 / 4 to 62
ACCURACY- WITHIN (OF READING)	+/- 1%	+/- 1%	+/- 1%	+/- 1%
REPEATABILITY	0.03%	0.03%	0.03%	0.03%
MAXIMUM VISCOSITY (OF STANDARD MODEL)	1000 Centipoise	1000 Centipoise	1000 Centipoise	1000 Centipoise
MAXIMUM OPERATING PRESSURE	3450kPa/ 500 PSI/ 34.5 BAR OR FLANGE RULE WHERE FITTED			
MAX. OPERATING TEMPERATURE	80°C / 176°F	120°C / 248°F	80°C / 176°F	120°C / 248°F
RECOMMENDED MESH STRAINER SIZE	60 MESH	60 MESH	60 MESH	60 MESH

Port Size To order flowmeter you must replace 'X' with the relevant number. This number will determine the following specifications:

Port Size:

- 1 = 1 1/2" BSP (F) ports
- 2 = 1 1/2" NPT (F) ports
- 3 = 1 1/2" ANSI 150lb Flange
- 4 = 1 1/2" ANSI 150lb Flange
- 5 = 40mm DIN 16 Flange

Calibrated and Display In:

- Litres
- US Gallons
- Litres
- US Gallons
- Litres

PPS = Polyphenylene Sulfide Resins



M40 - 1 1/2" METERS WITH MECHANICAL DISPLAY

TYPE M40 - 1 1/2" METERS

Weights

MODEL	M40ARM-1	M40ARM-2	M40ARM-3	M40ARM-4	M40ARM-5
WEIGHT	4.5kg/9.9lbs	4.5kg/9.9lbs	4.5kg/9.9lbs	4.5kg/9.9lbs	4.5kg/9.9lbs
MODEL	M40ASM-1	M40ASM-2			
WEIGHT	4.9kg/10.8lbs	4.9kg/10.8lbs			
MODEL	M40SRM-1	M40SRM-2	M40SRM-3	M40SRM-4	M40SRM-5
WEIGHT	8.5kg/18.7lbs	8.5kg/18.7lbs	8.5kg/18.7lbs	8.5kg/18.7lbs	8.5kg/18.7lbs
MODEL	M40SSM-1	M40SSM-2	M40SSM-3	M40SSM-4	M40SSM-5
WEIGHT	9.5kg/20.9lbs	9.5kg/20.9lbs	9.5kg/20.9lbs	9.5kg/20.9lbs	9.5kg/20.9lbs

Options & Accessories

M40 - 1 1/2" MECHANICAL DISPLAY	VITON O-RING	TEFLON O-RING	EPDM O-RING	HIGH TEMP ROTORS	HIGH VISCOSITY ROTORS	HALL EFFECT SENSOR	REED SWITCH	SOLVENT KIT	HASTALLOY C SHAFTS	PROTECTIVE BOOT	EXTENDED LIFE BATTERY	REMOTE MOUNTED LC DISPLAY	HEATING JACKET	4-20mA MODULE
M40ARM-X	O	O	O	O	O	X	X	O	X	X	X	X	A	X
M40ASM-X	O	O	O	S	O	X	X	O	X	X	X	X	A	X
M40SRM-X	O	O	O	O	O	X	X	S	X	X	X	X	A	X
M40SSM-X	O	O	O	S	O	X	X	S	X	X	X	X	A	X

S = Standard

O = Optional

X = Not Available

A = Accessory

Dimensions

