

General Specifications

ADMAG TI Series
AXW Magnetic Flowmeter
[Size: 25 to 400 mm (1 to 16 in.)]



GS 01E24A01-01EN

■ GENERAL DESCRIPTION

The ADMAG TI (Total Insight) series AXW magnetic flowmeter is a high-quality and highly reliable product developed based on years of experience and achievement, such as enhancement of application by our proprietary dual frequency excitation method.

The AXW magnetic flowmeter is ideal for general industrial process lines and water supply / sewage applications. With outstanding reliability and ease of operation and maintenance, developed on decades of field-proven experience, the AXW will increase user benefits while reducing total cost of ownership.

- Size: 25 to 1800 mm (1 to 72 in.)
- Lining: Fluorocarbon PTFE, various rubbers
- Process connection: ASME, EN, AS, and JIS

Note: For sizes from 500 to 1800 mm (20 to 72 in.), read general specifications (GS 01E25D11-01EN).
For AXG1A remote transmitter, read general specifications (GS 01E22C01-01EN).
For AXFA11G remote transmitter, read general specifications (GS 01E20C01-01E).



Integral Flowmeter

Remote Transmitter



Remote Sensor

■ FEATURES

● Stable Measurement

Our own dual frequency excitation method realizes stable flow measurement even under high flow noise in the fluid with or highly concentrated slurry.

● Multiple Inputs and Outputs

Maximum four inputs/outputs of current, pulse, and status signals can be selected.

● Improved Operation and Monitoring Function

Operation authority level setting for ensuring safety, process data trend display, display backlight flashing (Squawk) function, and data store / restore function with display unit internal memory or microSD card are available.

● Improved Maintainability

Diagnostic functions that contribute to preventive maintenance of the plant are installed. Diagnosis of the device (verification function) that can be executed without demounting from piping, electrode adhesion diagnosis, and wiring connection diagnosis are available.

● Compliance with IEC61508 (optional specification)

This product can be used in safety instrumented systems up to SIL2 in simplex configuration and SIL3 in redundant configuration.

● Communication Protocol

HART, BRAIN, Modbus, FOUNDATION Fieldbus, PROFIBUS PA, EtherNet/IP

Refer to GS 01E21F02-01EN for FOUNDATION Fieldbus communication type
Refer to GS 01E21F02-02EN for EtherNet/IP Communication Type
Refer to GS 01E21F02-03EN for PROFIBUS PA communication type
Refer to GS 01E24A21-04EN for marine approval type

■ GENERAL

Measuring Principle:

By applying the occurrence of electromotive force proportional to the flow velocity when fluid moves in the magnetic field, the flowmeter can measure the flow velocity of conductive liquid. It calculates the instantaneous flow rate, integrated flow rate, etc. from the measured flow velocity.

System Configuration:

Basic configuration: Sensor, Transmitter, Cable

| | Function |
|-------------|--|
| Sensor | Detects the flow velocity |
| Transmitter | Amplifies a sensor and converts signals. |
| Cable(*) | Signal cable (for flow signal), excitation cable (for coil excitation) |

*: Necessary for Remote type with construction separated to a sensor and a transmitter. The excitation cable is to be supplied by customer except for Submersible-Use.

Main Element of Sensor:

| | Function |
|-----------------|---|
| Wetted Part | Lining, Electrodes, Grounding Devices (*1) |
| Non-wetted Part | Flanges, Housing, Excitation coil, Measuring pipe |

*1: grounding ring plate

Note: Grounding devices are for taking the reference electric potential from the process fluid in measuring the electromotive force, and are fixed at two locations, upstream and downstream of the flow. They are unnecessary when the reference potential is taken from customer piping. For details of grounding, read "Cautions on Selection and Installation".

Main Element of Transmitter:

Display unit, Setting keys, Amplifier unit (including I/Os and power supply unit)

■ CONSTRUCTION

Use:

| Use | Specification |
|----------------------|--|
| General-purpose | Non explosion protection for the use in non-hazardous area. Applicable to Integral Flowmeter, Remote Sensor, or Remote Transmitter. IP Protection Grade: IP66/IP67, Type 4X (CSA) |
| Submersible | Temporary submersion is possible. Applicable to Remote Sensor only. Note: Urethane resin potting is applied in the terminal box of a remote sensor. Signal and excitation cables (when optional code L### is not selected, cable length is each 30 m) are pre-wired and waterproof glands with union joints are attached at factory. Performance: Conforms to continuous immersion under the following test condition. Test Condition: 1 month with fresh water and 50 m under the water surface (hydraulic pressure 0.5 MPa). However, adverse conditions such as sewage and seawater are excluded. Protect the cable by appropriate means, such as protected separately with conduit piping. IP Protection Grade: IP68 |
| Explosion Protection | Explosion protection for the use in hazardous area. Applicable to Integral Flowmeter, Remote Sensor, or Remote Transmitter. IP Protection Grade: Read "Explosion Protection". |

Construction:

Two types of Integral and Remote type.

| Type | Construction |
|---------------|--|
| Integral type | Integrated structure of a sensor and a transmitter. |
| Remote type | Separated structure of a sensor and a transmitter, which are connected by a signal cable and an excitation cable*. |

*: To be supplied by customer except for Submersible-Use.

Combined Transmitter:

| Remote Sensor Size | Remote Transmitter |
|----------------------------|-----------------------|
| 25 to 400 mm (1 to 16 in.) | AXW4A, AXG1A, AXFA11G |

Note 1: When changing the combined transmitter, readjustment of the meter factor by actual flow calibration is necessary to ensure accuracy.

Note 2: For AXG1A remote transmitter, read general specifications (GS 01E22C01-01EN).
For AXFA11G remote transmitter, read general specifications (GS 01E20C01-01E).

Note 3: When selecting the optional code /E21 with the AXW4A remote transmitter, unify either general-purpose or explosion protection for both of the AXW remote sensor and the AXW4A remote transmitter.

Maximum Cable Length:

100 m (328 ft) for AXW4A remote transmitter
200 m (656 ft) for AXG1A and AXFA11G remote transmitter
5 m (16 ft) when using with Marine Approval Type

Process Connection:

Wafer and flange type are available.

For the availability of lining and size range, read "MODEL AND SUFFIX CODE".

| Type | Process connection |
|--------|---|
| Wafer | ASME Class 150, Class 300 EN PN10, PN16, PN40 JIS F12, 10K, 20K |
| Flange | ASME Class 150, Class 300 EN PN10, PN16, PN40 JIS F12, 10K, 20K |

Electrode Construction:

| Lining | Insertion type |
|---------------------|-------------------------|
| PTFE | Internal insertion type |
| Polyurethane Rubber | External insertion type |
| Natural Hard Rubber | Internal insertion type |
| Natural Soft Rubber | Internal insertion type |

Grounding Device Construction:

| | |
|----------------------|---|
| Grounding Ring Plate | Ring flat plate with mounting bracket (*) |
|----------------------|---|

* : Grounding ring plates (type N, type J) for flange type sizes 150 to 400 mm (6 to 16 in.) with the lining code F (PTFE) and H (natural hard rubber) have a handle. Hook the pin attached to the handle on the outer circumference of the flange and install it between the flowmeter and piping.

Wetted Part:

| Wetted Part | Material |
|------------------|---|
| Lining | Fluorocarbon PTFE Polyurethane rubber Natural hard rubber (with ethylene propylene diene rubber EPDM for sealing) Natural soft rubber |
| Electrode | Stainless steel 316L, Nickel alloy (*), Titanium, Tungsten carbide *: ASTM B574 UNS N10276 or ASME SB-574 UNS N10276 |
| Grounding Device | <u>Grounding Ring Plate</u> Stainless steel 316L, Nickel alloy (*), Titanium *: ASTM B575 UNS N10276 or ASME SB-575 UNS N10276 |
| Gasket (Note) | <u>PTFE Lining</u> Standard: Not necessary for sizes 125 mm (5 in.) or below, or should be supplied by customer. Necessary for sizes 150 mm (6 in.) and above and should be supplied by customer. For metal piping, PTFE-sheathed gasket is recommended. Optional (for plastic piping): GA: Fluororubber GC: Acid-resistant fluororubber GD: Alkali-resistant fluororubber <u>Natural Hard Rubber Lining</u> Supplied by customer. PTFE-sheathed non-asbestos joint sheet or non-asbestos joint sheet is recommended. <u>Natural Soft Rubber Lining</u> None (not necessary), or supplied by customer. <u>Polyurethane Rubber Lining</u> None (not necessary), or supplied by customer. <u>Process Pipe Side</u> Standard: None (supplied by customer) Optional (for wafer type, with bolts, nuts, and gaskets): BSC: Chloroprene rubber (CR) BSF: PTFE-sheathed non-asbestos joint sheet |

Note: The description is about the material of gaskets supplied with flowmeter, to be used between the sensor pipe and grounding ring or the process flange. This includes whether gaskets are necessary, or whether gaskets should be supplied by customer. For details of gaskets, read "Cautions on Selection and Installation" and "Optional Code".

Non-wetted Part Material:

Sensor Terminal Box:

Low copper aluminum alloy EN AC-43400

Transmitter Housing:

Low copper aluminum alloy EN AC-43400

Sensor Housing:

| Size | Material |
|-----------------------------|--|
| 25 to 125 mm (1 to 5 in.) | Stainless steel 304 |
| 150 to 400 mm (6 to 16 in.) | Carbon steel SPCC (*1) or its equivalent |

*1: JIS standard or JIS standard-based material

Mini-flange (subject to pressure in wafer type):

| Size | Material |
|----------------------------|------------------------|
| 150 to 200 mm (6 to 8 in.) | Carbon steel A105 (*2) |

Note: In the wafer type other than the above, there is no mini flange because the measuring pipe and the connecting part have a one-piece casting structure.

Flange:

| Process Connection Code | Material |
|-------------------------|------------------------|
| B## | Stainless steel F304 |
| C## | Carbon steel A105 (*2) |

*2: ASTM standard forged material

Measuring Pipe:

| Size | Material |
|-----------------------------|--------------------------|
| 25 to 125 mm (1 to 5 in.) | Stainless steel CF8 (*3) |
| 150 to 400 mm (6 to 16 in.) | Stainless steel 304 |

*3: ASME standard casting material

Coating:General-purpose, and Explosion Protection (Integral Flowmeter, Remote Sensor and Transmitter):

Standard Coating:

| Coated Part | Coating Specification |
|--|--|
| Sensor housing | Polyurethane resin solvent coating, or no coating (*1) |
| Sensor flanges (for flange type) | |
| Sensor terminal box (for remote type, incl. cover) | Urethane curing type polyester resin powder coating |
| Transmitter housing (incl. cover) | |

Rugged Coating (*2):

| Coated Part | Coating Specification |
|--|--|
| Sensor housing | Epoxy and polyurethane resin solvent coating, or no coating (*1) |
| Sensor flanges (for flange type) | |
| Sensor terminal box (for remote type, incl. cover) | Epoxy and polyurethane resin solvent coating |
| Transmitter housing (incl. cover) | |

Submersible (Remote Sensor):

Standard Coating:

| Coated Part | Coating Specification |
|-----------------------------------|-------------------------------------|
| Sensor housing | Non-tar epoxy resin solvent coating |
| Sensor flanges | |
| Sensor terminal box (incl. cover) | |

*1: No coating for General-purpose and Explosion Protection with stainless steel flanges in sizes 25 to 125 mm (1 to 5 in.). Coating is done for sizes 150 mm (6 in.) and more, or for carbon steel flanges.

*2: Rugged coating is for applications which need salt tolerance resistance, alkali resistance, acid resistance, and/or weather resistance. Epoxy resin undercoating twice and polyurethane resin overcoating once are performed to the same area as standard coating.

Coating Color:

General-purpose, and Explosion Protection:

Mint green (Munsell 5.6BG3.3/2.9 equivalent)

Submersible:

Black

Cable Entry:

JIS G1/2 female

ASME 1/2 NPT female

ISO M20 x 1.5 female

Cable Entry Direction:

For Integral Flowmeter and Remote Sensor, the cable entry direction can be specified from +90, +180, or -90 degree rotation when optional code RH is ordering, and also can be changed by customer after delivery. However, it can not be changed after delivery when submersible use, or optional code DHC (district heating and cooling / condensation proof use) is selected.

Wiring Terminal:

Intra-system Connection Part (*1): M4 Screw type

Extra-system Connection Part (*2):

M4 Screw or Clamp type

*1: Connections between Remote Sensor and Remote Transmitter for flow signal and excitation current.

*2: Connections at Integral Flowmeter and Remote Transmitter for input/output signals and power supply.

Mounting:

Remote Transmitter: 2-inch pipe mounting

Grounding:

Grounding Resistance: 10 Ω or less

Note: When the built-in lightning protector as standard is not required, grounding resistance 100 Ω or less can be applied.

For grounding of explosion protection, appropriate construction is required according to the regulations of each country.

FUNCTIONS

Note: For AXG1A remote transmitter, read general specifications (GS 01E22C01-01EN).
For AXFA11G remote transmitter, read general specifications (GS 01E20C01-01E).

Display and Setting:

Display unit (3 infrared switches with LCD) enables the user to set the parameters without opening the display cover.

Note: Parameter setting by setting tool such as HHT (handheld terminal) and FieldMate (device adjustment / management software) is also possible.

Display:

Full dot matrix LCD, 64 × 128 dots, with backlight, dot reversal display available

Display Language (*):

Display Code 1:

English, French, German, Italian, Spanish, Portuguese, Russian and Japanese. The display languages are selectable and can be changed by customer.

Display Code 2:

English and Chinese. The display languages are selectable and can be changed by customer.

Display Code 3:

English.

*: The setting is English when shipped from factory.

Display Screen Configuration:

Display Screen Item:

Status display (icon), Time (necessary to set the time at power-on), Data display(max. four lines), Infrared switch operation status

Flow Rate Screen:

Measured Data Screen or Online Trend Screen is available. Update period selectable from 0.2, 0.4, 1, 2, 4, and 8 seconds.

Measured Data Screen:

Display up to 4 data points simultaneously with numbers, bar graphs, icons, or character strings. Specify up to 8 points of data and change display data with infrared switches or automatic scroll function (scroll period 2, 4, or 8 seconds).

Selectable Data in Measured Data Screen:

BRAIN, HART, Modbus, EtherNet/IP

Flow rate (%), Flow velocity, Volume flow rate, Mass flow rate, Totalizer 1, Totalizer 2, Totalizer 3, Adhesion level, Current output 1, Tag No., Communication protocol, Totalizer 1 count, Totalizer 2 count, Totalizer 3 count, Modbus info

Note: Modbus info is available for Modbus communication type.

FOUNDATION Fieldbus

Flow rate (%), Flow velocity, Volume flow rate, Mass flow rate, Totalizer 1, Totalizer 2, Adhesion level, PD tag, Communication protocol, Total 1 count, Total 2 count, AI1 Flow rate, AI1 Flow rate (%), AI1.OUT, AI2.OUT, AI3.OUT, IT1.OUT, IT2.OUT, AR.OUT

PROFIBUS PA

Flow rate (%), Flow velocity, Volume flow rate, Mass flow rate, Totalizer 1, Totalizer 2, Totalizer 3, Adhesion level, Tag number, Communication protocol, Total 1 count, Total 2 count, Total 3 count, AI1.OUT, AI2.OUT, TOT1.OUT, TOT2.OUT, TOT3.OUT

Online Trend Screen:

Display one data as a trend graph. The display data can be changed with infrared switches or automatic scroll function (scroll period 2, 4, or 8 seconds) selecting up to four data.

Selectable Data in Online Trend Screen:

Flow rate (%), Flow velocity, Volume flow rate, Mass flow rate, Totalizer 1, Totalizer 2, Totalizer 3, Current output 1

Note: Totalizer 3 and Current output 1 are not available for FOUNDATION Fieldbus or PROFIBUS PA.

Alarm Screen:

When an alarm occurs, the flow rate screen and the alarm screen are alternately displayed in the cycle (2, 4, or 8 seconds) linked with the flow rate screen update cycle. Select simple screen (single line display) or detail screen (with alarm countermeasure display).

NAMUR NE 107 Alarm Display Function:

Based on NAMUR NE 107, alarms are classified and displayed as follows. It can also be set to hide.

F: Failure

C: Function Check

S: Out of Specification

M: Maintenance Required

Offline Trend Screen (when optional code MC (microSD card) is selected):

Data stored by the data logging function can be displayed on the trend screen. The selectable data is the same as that for the Online Trend Screen.

Display Backlight Flashing (Squawk) Function:

Display backlight can be set to flash once or continuously at 4-second cycle to identify the device.

Display Operation Authority:

Display operation authority level against the parameters can be controlled by selecting from operator, maintenance, or specialist by passcode.

Operator:

Only parameters related to display setting can be set.

Maintenance:

Only parameters related to display setting and zero adjustment can be set.

Specialist:

All parameters can be set.

Communication Function:**BRAIN:**

Communication Signal:
Superimposed on the Current Output 1

Communication Line Condition:
Load Resistance:
250 to 450 Ω (including cable resistance)
Load Capacitance: 0.22 μF or less
Load Inductance: 3.3 mH or less
Input Impedance of Communicating Device:
10 k Ω or more (at 2.4 kHz)

Communication Distance:
Up to 1.5 km (0.93 miles), when polyethylene insulated PVC-sheathed cables (CEV cables) are used. Communication distance varies depending on the type of cable and wiring used.

Distance from Power Line:
15 cm (6 in.) or more. (Parallel wiring should be avoided)

HART:

Protocol Version: HART 7

Communication Signal:
Superimposed on the Current Output 1

Communication Line Condition:
Load Resistance:
230 to 600 Ω (including cable resistance)

Modbus:

Communication protocol:
2-wire half duplex RS-485 Modbus

Flow control: None

Baud rate [bps]: 1200, 2400, 4800, 9600, 19200*, 38400, 57600, 115200

Start bit: 1 bit (Fixed)

Stop bit: 1 bit*, 2 bits

Parity bit: Odd, Even*, None

Transfer mode:
RTU (Remote Terminal Unit)
ASCII
Data length: 8 bits
LSB (Least Significant Bit sent first)

Slave address: 1* to 247

Support function: See IM 01E21A02-05EN (Modbus communication type).

Bus termination:
Standard RS-485 bus termination
ON (bus end), OFF* (not bus end)
*: Factory default setting

Modbus cable:
3-Wire cable (twisted pair (D0, D1) and Common) with shield should be used. Wire gauge should be AWG24 or wider.
The characteristic impedance of the cable higher than 100ohm may be preferred.

Line Termination:
Modbus cable requires Line Termination at each of the two ends of the bus to minimize the reflections. For details, please refer to "Modbus over serial line specification and implementation guide V1.02".

FOUNDATION Fieldbus:

Output Signal:
Fieldbus communication signal conforming to the standard specifications (H1) of FOUNDATION Fieldbus.

Communication Requirements:
Supply Voltage: 9 to 32 V DC
Current Draw: 15 mA (maximum)

For details, please refer IM 01E21A02-03EN.
Note: I/O2 (Pulse/Status Output1) is intended only for the calibration use.

PROFIBUS PA:

Output Signal:
Fieldbus communication signal conforming to the standard specifications of PROFIBUS PA.

Communication Requirements:
Supply Voltage: 9 to 32 V DC
Current Draw: 15 mA (maximum)

For details, please refer IM 01E21A02-04EN.
Note: I/O2 (Pulse/Status Output1) is intended only for the calibration use.

EtherNet/IP:

Output:
Digital communication signal based on CIP (Common Industrial Protocol), adaptor.

Physical layer:
10BASE-T / 100BASE-TX

Transmission speed:
10 / 100 Mbps with auto negotiation

Functional Specifications:

- Device Level Ring (DLR)
- Cyclic data communication for flow, total and diagnostics
- Explicit message communication for flow, total, diagnostics and write protect
- Number of simultaneous connections (Explicit message): Maximum 6
- Number of simultaneous connections (Cyclic): Maximum 4

Displayed Language:
English

Ethernet communication:

- Maximum segment length: 100 m
- Web server: Real time monitoring, configuration change and operation for ADMAG T1 is available from web browser
- DHCP client functionality

For details, please refer IM 01E21A02-06EN.
Note: No Pulse/Status Output is available.

Input/Output Function:

Input/Output Signal:

Input/Output up to four points can be selected from type A, E, G, 0, 6, F0, G0, P0 in the table.

Input/Output (HART, BRAIN)

| Type | Input/Output Signal | | | | Communication and I/O Code | |
|--------|----------------------------|----------------------------------|------------------------------|---|----------------------------|--------|
| | I/O1 Terminal | I/O2 Terminal | I/O3 Terminal | I/O4 Terminal | BRAIN | HART 7 |
| Type A | | | None | None | DA | JA |
| Type E | Current Output 1 Active | Pulse/Status Output 1 Passive | Status Input (No-voltage) | Pulse/Status Output 2 Passive | DE | JE |
| Type G | | | Status Input (No-voltage) | Pulse/Status Output 2 Active (without internal resistor) | DG | JG |

Note: "Active" means no external power supply, "Passive" means external power supply is required.

Input/Output (Modbus)

| Type | Input/Output Signal | | | | | | Communication and I/O Code |
|--------|----------------------------|----------------------------------|---------------|---------------------|-----------------|-----------------|----------------------------|
| | I/O1 Terminal | I/O2 Terminal | I/O3 Terminal | | I/O4 Terminal | | |
| | | | I/O3+ | I/O3- | I/O4+ | I/O4- | |
| Type 0 | — | | | | | | M0 |
| Type 6 | Current Output 2 Active | Pulse/Status Output 1 Passive | — | Modbus C(Common) | Modbus B(D1) | Modbus A(D0) | M6 |

Note: "Active" means no external power supply, "Passive" means external power supply is required.

Input/Output (FOUNDATION Fieldbus)

| Type | Input/Output Signal | | | | Communication and I/O code |
|---------|---------------------|--|---------------|---------------|----------------------------|
| | I/O1 Terminal | I/O2 Terminal | I/O3 Terminal | I/O4 Terminal | |
| Type F0 | Fieldbus Passive | Pulse/Status Output 1 Passive * Intended only for the calibration use. | — | — | F0 |

Input/Output (PROFIBUS PA)

| Type | Input/Output Signal | | | | Communication and I/O code |
|---------|---------------------|--|---------------|---------------|----------------------------|
| | I/O1 Terminal | I/O2 Terminal | I/O3 Terminal | I/O4 Terminal | |
| Type G0 | Fieldbus Passive | Pulse/Status Output Passive * Intended only for the calibration use. | — | — | G0 |

Input/Output (EtherNet/IP)

| Type | Input/Output Signal | | Communication and I/O code |
|---------|---------------------|-------------|----------------------------|
| | PORT1 | PORT2 | |
| Type P0 | EtherNet/IP | EtherNet/IP | P0 |

Input Signal• **Status Input (Dry contact) (Type E, G)**

Load Resistance:

200 Ω or less (ON), 100 kΩ or more (OFF)

Output Signal• **Current Output (Active) (Type A, E, G, 6)**

4 to 20 mA DC signal

Load Resistance:

750 Ω maximum, including cable resistance

• **Pulse/Status Output (Passive) (Type A, E, G, 0, 6, F0, G0)**

Transistor contact output (open collector)

Contact Capacity: 30 V DC (OFF), 200 mA (ON)

Pulse Rate:

0.0001 to 10000 pps (pulse per second)

Pulse Width:

0.05, 0.1, 0.5, 1, 20, 33, 50, 100, 200, 330, 500, 1000, 2000 ms, or Duty cycle 50% (Maximum pulse width 5 minutes) configurable

Frequency Output Range: 1 to 12500 Hz

• **Pulse/Status Output (Active)****Without Internal Resistor (Type G)**

• Driving Electronic Counter

Load Resistance: 1 kΩ or more,

Internal Power Supply: 24 V DC ±20 %

Pulse Rate:

0.0001 to 10000 pps (pulse per second)

Pulse Width:

0.05, 0.1, 0.5, 1, 20, 33, 50, 100, 200, 330,

500, 1000, 2000 ms, or Duty cycle 50%

(Maximum pulse width 5 minutes) configurable

Frequency Output Range: 1 to 12500 Hz

• Driving Electromechanical Counter

Maximum Current: 150 mA,

Internal Power Supply: 24 VDC ±20 %

Pulse Rate: 0.0001 to 2 pps (pulse per second)

Pulse Width: 20, 33, 50, or 100 ms configurable

• **Digital communication (RS485 Modbus protocol) (Type 0, 6)**

2-wire half duplex RS-485 Modbus

• **Digital communication (FOUNDATION Fieldbus) (Type F0)**

Fieldbus communication signal conforming to the standard specifications (H1) of FOUNDATION Fieldbus.

- **Digital communication (PROFIBUS PA) (Type G0)**

Fieldbus communication signal conforming to the standard specifications of PROFIBUS PA.

- **Digital communication (EtherNet/IP) (Type P0)**

Refer to GS01E21F02-02EN.

Flow Calculation Function:

Excitation Method:

Dual Frequency Excitation

Span Setting:

Span flow can be set in units such as volume flow rate, mass flow rate, time, or flow rate value. The velocity unit can also be set.

Volume Flow Rate Unit:

kcf, cf, mcf, Mgal (US), kgal (US), gal (US), mgal (US), kbbbl (US)*, bbl (US)*, mbbl (US)*, μbbbl (US)*, MI (megaliter), m³, kl (kiloliter), l (liter), cm³

*: "US Oil" or "US Beer" can be selected.

Mass Flow Rate Unit:

kIb (US), lb (US), t (ton), kg, g

Velocity Unit: ft, m (meter)

Time Unit: s (second), min (minute), h (hour), d (day)

Mass Flow Rate Processing:

The mass flow rate V_m is obtained in the following expression.

$$V_m = V_f \times \rho$$

V_m : Mass flow rate [kg/s]

V_f : Volume flow rate [m³/s]

ρ : Density [kg/m³]

Damping Function (63% response):

Can be set for each measurement value of flow velocity, volume flow rate, and mass flow rate.

Output Damping:

For each measured value, the time constant for instantaneous value output (0.1 to 200.0 seconds, shipped with 3.0 seconds) and the time constant for totalization / pulse output (0.0 to 200.0 seconds, shipped with 3.0 seconds) can be individually set. In the case of piston pump etc., it is possible to measure pulsatile flow up to 1 Hz with output damping 0.1 seconds. However, note that decreasing damping time generally increases output fluctuation.

Display Damping:

A common time constant can be set for each screen display value of each measurement value. Time constant 0.0 to 200.0 seconds (shipped with 0.0 seconds).

Current Output:

Current signal (4 to 20 mA DC) proportional to instantaneous flow rate is output.

Pulse Output:

The totalized value of the flow rate is converted into the number of pulses converted by the pulse rate, and is output.

Frequency Output:

Frequency signal (Duty 50%) proportional to the instantaneous value of the flow rate is output. Output terminal is shared with pulse output.

Totalization Function:

Three independent totalizers can be allocated independently, including the start and stop of integration, for each measured value of volume flow rate, and mass flow rate.

Totalization Type:

Forward / reverse difference flow totalization, Absolute value totalization, Forward direction totalization, Reverse direction totalization

Totalization Display:

Select from actual flow rate display or count value display scaled by counter conversion rate.

Low-cut Function:

For each current output, pulse output, or frequency output, the output signal below the set actual flow rate can be cut (*). It is independent for current output, common for pulse output and frequency output.

*: When "Forward and Reverse Flow Measurement" or "Absolute Range" is used, the output signal below the set actual flow rate value against the absolute value of the measured one is cut.

Output Processing Function:

Multi-range:

Flow range can be switched to two ranges by status input or automatic switching. By status output, it is possible to identify in what range the measurement is being measured, and the status is also displayed on the display.

Forward and Reverse Flow Measurement:

Flow rate measurement in both forward and reverse directions is possible. By status output, it is possible to identify in which direction the measurement is being performed, and the status is also displayed on the display.

Absolute Range:

With 12 mA as flow rate zero, measurements in the forward (12 to 20 mA) and reverse (4 to 12 mA) directions are possible in a single range.

Totalization Switch:

Status signal is output when the totalized value becomes equal to or larger than the set value.

Preset Totalization:

By parameter setting or status input, the totalized value is preset to zero or a set value.

0% Signal Lock:

With status input, the current output is forcibly fixed to 0%. Mode is selectable whether to continue output processing for instantaneous flow rate display/ pulse output/ flow rate totalization or to fix flow rate at 0.

Alarm Function:Alarm Configuration:

Alarms are classified into system alarm (device failure), process alarm, setting alarm, and warning. Alarm output availability can be selected for each item.

Current Output at Alarm Occurrence:

The current output at alarm occurrence is arbitrarily selected from 2.4 mA or less, 3.8 mA fixed, 4 mA fixed, 20.5 mA fixed, 21.6 mA or more, measured value, or HOLD.

Alarm Countermeasure Indication:

A specific countermeasure method can be displayed on the display when an alarm occurs.

Alarm Type:

System Alarm:

CPU failure, A/D converter failure, Sensor coil circuit break (open), Sensor coil short circuit

Process Alarm:

Input signal error (signal overflow), Sensor empty pipe, Electrode adhesion (of insulator)

Setting Alarm:

Detect inconsistency in parameter setting

Warning:

Warning in a state where measurement can be continued

Alarm History: Keep history of up to four alarms.

Verification Function:

Function to diagnose the soundness of the device itself. Diagnose the magnetic circuit, excitation circuit, arithmetic processing circuit, etc. offline (i.e. flow measurement function stopped) and display the result without demounting the device from piping.

Data Management Function:Store / Restore Function of Parameters:

Main parameters can be stored and restored using nonvolatile memory of display unit. The restore can also be used for copying parameters to another device (except for parameters under unmatched specification for the devices). When optional code MC is selected, this function is also available by using microSD card.

Data Logging Function (when optional code MC (microSD card) is selected):

It is possible to log up to four process data at the same time. In addition to displaying the logged results on the trend screen, it is also possible to connect the microSD card to a PC and retrieve the data.

Logging Cycle:

1 second, 10 seconds, 30 seconds, 1 minute, 5 minutes, 30 minutes, 1 hour

Logging Time:

10 minutes, 30 minutes, 1 hour, 3 hours, 12 hours, 24 hours, 72 hours, 240 hours, 720 hours, 1440 hours

Logging Data:

Flow velocity, Volume flow rate, Mass flow rate, Adhesion resistance

Data Security During Power Failure:

Protection of data, such as parameters and integrated values, by nonvolatile memory at power failure.

Factory Default Parameter Restore:

It is possible to restore the parameters to the values that were set at the time of factory shipment.

Lightning Protection:

Built-in lightning protector for excitation(*), signal common(*), input/output terminals, and power supply terminal.

Test Standard: IEC61000-4-5

Test Method:

Series mode 1 kV / Common mode 2 kV

Surge waveform 8/20 μS

*: Integral Flowmeter is excluded.

■ CONFORMITY STANDARDS**Safety Requirements:**

EN61010-1

EN61010-2-030

CAN/CSA-C22.2 No.61010-1

CAN/CSA-C22.2 No.61010-2-30

CAN/CSA-C22.2 No.94.2

UL 61010-1

UL 61010-2-030

UL 50E

IEC 60529

Altitude at Installation Site:

Max. 2000 m above sea level

Installation Category (Overvoltage category): II

Micro Pollution Degree: 2

Macro Pollution Degree: 4

Protection Degree:

General-purpose: IP66/IP67, Type 4X (CSA)

Submersible: IP68*

Explosion Protection: Read "Explosion Protection".

* Conforming to continuous dive under the test conditions as follows;

1 month with fresh water and 50 m under the water surface (hydraulic pressure 0.5 MPa). However, adverse conditions such as sewage and seawater are excluded.

Protect the cable by appropriate means, such as protected separately with conduit piping.

EMC:

EN61326-1 Class A, Table 2

EN61326-2-3

EN61326-2-5

(only for AXW integral type flow meter and AXW4A transmitter combined with AXW sensor)

EN61000-3-2 Class A

EN61000-3-3

CE marking (optional code EC):

CE marking is attached to non-Explosion protected type, ATEX Explosion protected type and IECEx Explosion protected type.

The product which is attaching CE marking is in conformity with the statutory requirements of the applicable EU Directives.

EU RoHS Directive:

Note: Only applicable when optional code EC (CE marking) is selected.

Morocco conformity mark :

This conformity mark indicates that the product complies with Moroccan safety and EMC requirements.

Note: Except INMETRO explosion protection type, code UF2.

Drinking Water Certification (optional code NSF):

NSF61 Drinking Water Certification

Functional safety standard:

IEC 61508 (Parts 1 - 7: 2010; compliant with Functional Safety of Electrical/Electronic/Programmable Electronic Safety-related Systems)

This product can be used in safety instrumented systems up to SIL2 in simplex configuration and SIL3 in redundant configuration.

For details, please refer to IM01E21A21-02EN (ADMAG TI Series AXG/AXW Magnetic Flowmeter Safety Manual).

PED (Pressure Equipment Directive):

Note: Applicable only when optional code EC (CE marking) is selected.

- **Technical Data**

Module: H

Type of Equipment: Piping

Type of Fluid: Liquid and Gas

Group of Fluid*4: 1 and 2

- **General-purpose, Submersible, and Explosion Protection**

| MODEL | PROCESS CONNECTION | DN*1 (mm) | PS*1 | | PS•DN | | CATEGORY*2, *4 |
|--------|--------------------|--------------|-------|-------|----------|----------|------------------------------------|
| | | | (bar) | (MPa) | (bar•mm) | (MPa•mm) | |
| AXW025 | Wafer, Flange | 25 | 40 | 4 | 1000 | 100 | Sound Engineering Practice (SEP)*3 |
| AXW032 | Wafer, Flange | 32 | 40 | 4 | 1280 | 128 | II |
| AXW040 | Wafer, Flange | 40 | 40 | 4 | 1600 | 160 | II |
| AXW050 | Wafer, Flange | 50 | 40 | 4 | 2000 | 200 | II |
| AXW065 | Wafer, Flange | 65 | 40 | 4 | 2600 | 260 | II |
| AXW080 | Wafer, Flange | 80 | 40 | 4 | 3200 | 320 | II |
| AXW100 | Wafer, Flange | 100 | 40 | 4 | 4000 | 400 | III |
| AXW125 | Wafer | 125 | 20 | 2 | 2500 | 250 | II |
| | Flange | 125 | 40 | 4 | 5000 | 500 | III |
| AXW150 | Wafer | 150 | 20 | 2 | 3000 | 300 | II |
| | Flange | 150 | 40 | 4 | 6000 | 600 | III |
| AXW200 | Wafer | 200 | 20 | 2 | 4000 | 400 | III |
| | Flange | 200 | 40 | 4 | 8000 | 800 | III |
| AXW250 | Flange | 250 | 20 | 2 | 5000 | 500 | III |
| AXW300 | Flange | 300 | 20 | 2 | 6000 | 600 | III |
| AXW350 | Flange | 350 | 18 | 1.8 | 6300 | 630 | III |
| AXW400 | Flange | 400 | 16 | 1.6 | 6400 | 640 | III |

*1: PS: Maximum allowable pressure for Pipe
DN: Nominal size

*2: For details, refer to "Table 6 covered by ANNEX II of Directive 2014/68/EU".

*3: Article 4, paragraph 3 of Directive 2014/68/EU

*4: Models classified in categories I or II shall not be used for unstable gases of Group 1.

CRN (Canadian Registration Number):

Note: Applicable only when optional code CS (Canada domestic sales) is selected.

CRN is a registration number for pressure equipment, required to use it in each Canadian province or territory.

Integral flowmeter and Remote sensor are registered by all provinces and territories in Canada.

HAZARDOUS AREA CLASSIFICATION

Select appropriate equipment in accordance with the laws and regulations of the relevant country/region, when it is used in a location where explosive atmospheres may be present.

ATEX

Applicable Standard:
EN IEC 60079-0, EN 60079-1, EN IEC 60079-7,
EN 60079-11, EN 60079-31
Certificate: FM 17ATEX0031X

(Integral Flowmeter)

Type of Gas Atmosphere Protection:

Group: II
Category: 2G
Type of Protection:
Ex db eb ia IIC T6...T3 Gb
(Transmitter Wiring Terminal: M4 screw type)
Ex db eb ia IIC T6...T3 Gb
Terminal Compartment: Ex db or Ex eb
(Transmitter Wiring Terminal: Clamp type)

Type of Dust Atmosphere Protection

Group: II
Category: 2D
Type of Protection: Ex tb IIIC T75°C...T130°C Db

Enclosure: IP66/IP67 in accordance with EN 60529

Maximum Surface Temperature:

See Table(a) and Table(b).

Ambient Temperature:

See Table(a) and Table(b).

Process Temperature:

See Table(a) and Table(b).

Power Supply:

100 to 240 Va.c. (50/60 Hz) / 100 to 120 Vd.c.

24 Va.c. (50/60 Hz) / 24 Vd.c.

Um: 250 V

Current I/O: 4 to 20 mA, 32 Vd.c. max.

Digital I/O: 30 Vd.c. max., 200 mA max.

Fieldbus I/O: 32 Vd.c max., 15 mA max.

(Remote Sensor)

Type of Gas Atmosphere Protection

Group: II
Category: 2G
Type of Protection: Ex db eb ia IIC T6...T3 Gb

Type of Dust Atmosphere Protection

Group: II
Category: 2D
Type of Protection: Ex tb IIIC T75°C...T150°C Db

Enclosure: IP66/IP67 in accordance with EN 60529

Maximum Surface Temperature:

See Table(a) and Table(b).

Ambient Temperature:

See Table(a) and Table(b).

Process Temperature:

See Table(a) and Table(b).

Um: 250 V

(Remote Transmitter)

Type of Gas Atmosphere Protection

Group: II
Category: 2G
Type of Protection:
Ex db IIC T6 Gb
(Transmitter Wiring Terminal: M4 screw type)
Ex db IIC T6 Gb or Ex db eb IIC T6 Gb
(Transmitter Wiring Terminal: Clamp type)

Type of Dust Atmosphere Protection

Group: II
Category: 2D
Type of Protection: Ex tb IIIC T75°C Db

Enclosure: IP66/IP67 in accordance with EN 60529

Maximum Surface Temperature: T75°C

Ambient Temperature: -40°C to +60°C

Power Supply:

100 to 240 Va.c. (50/60 Hz) / 100 to 120 Vd.c.

24 Va.c. (50/60 Hz) / 24 Vd.c.

Current I/O: 4 to 20 mA, 32 Vd.c. max.

Digital I/O: 30 Vd.c. max., 200 mA max.

Fieldbus I/O: 32 Vd.c max., 15 mA max.

Table (a): Temperature Table (ATEX)

| Model | Size | Process Connection | Lining | Temperature Table* | |
|---|--------------------------------|--------------------|-------------|--------------------|---------------|
| | | | | Integral Flowmeter | Remote Sensor |
| AXW025, AXW032, AXW040, AXW050, AXW065, AXW080, AXW100, AXW125 | 25 to 125 mm (1 to 5 in.) | Flange | PTFE Lining | Table A | Table A |
| AXW150, AXW200, AXW250, AXW300, AXW350, AXW400 | 150 to 400 mm (6 to 16 in.) | Flange | PTFE Lining | Table B | Table B |

*: For details, see Table No. on Table (b).

Table (b): Ambient Temperature and Process Temperature (ATEX)

| Table No. | Ambient Temperature | Temperature Class | Maximum Surface Temperature | Process Temperature |
|-----------|---------------------|-------------------|-----------------------------|---------------------|
| A | -10°C to +45°C | T6 | T75°C | -10°C to +50°C |
| | | T5 | T90°C | -10°C to +75°C |
| | -10°C to +60°C | T4 | T120°C | -10°C to +120°C |
| | | T3 | T130°C | -10°C to +120°C |
| B | -10°C to +60°C | T6 | T75°C | -10°C to +75°C |
| | | T5 | T90°C | -10°C to +90°C |
| | | T4 | T120°C | -10°C to +100°C |
| | | T3 | T150°C | -10°C to +100°C |

IECEX

Applicable Standard:
IEC 60079-0, IEC 60079-1, IEC 60079-7,
IEC 60079-11, IEC 60079-31
Certificate:
IECEX FMG 17.0014X

(Integral Flowmeter)**Type of Gas Atmosphere Protection**

Ex db eb ia IIC T6...T3 Gb
(Transmitter Wiring Terminal: M4 screw type)
Ex db eb ia IIC T6...T3 Gb
Terminal Compartment: Ex db or Ex eb
(Transmitter Wiring Terminal: Clamp type)

Type of Dust Atmosphere Protection

Ex tb IIIC T75°C...T130°C Db

Enclosure: IP66/IP67 in accordance with IEC 60529
Maximum Surface Temperature:
See Table(c) and Table(d).
Ambient Temperature:
See Table(c) and Table(d).
Process Temperature:
See Table(c) and Table(d).
Power Supply:
100 to 240 Va.c. (50/60 Hz) / 100 to 120 Vd.c.
24 Va.c. (50/60 Hz) / 24 Vd.c.
Um: 250 V
Current I/O: 4 to 20 mA, 32 Vd.c. max.
Digital I/O: 30 Vd.c. max., 200 mA max.
Fieldbus I/O: 32 Vd.c max., 15 mA max.

(Remote Sensor)**Type of Gas Atmosphere Protection**

Ex db eb ia IIC T6...T3 Gb

Type of Dust Atmosphere Protection

Ex tb IIIC T75°C...T150°C Db

Enclosure: IP66/IP67 in accordance with IEC 60529
Maximum Surface Temperature:
See Table(c) and Table(d).
Ambient Temperature:
See Table(c) and Table(d).
Process Temperature:
See Table(c) and Table(d).
Um: 250 V

(Remote Transmitter)**Type of Gas Atmosphere Protection**

Ex db IIC T6 Gb
(Transmitter Wiring Terminal: M4 screw type)
Ex db IIC T6 Gb or Ex db eb IIC T6 Gb
(Transmitter Wiring Terminal: Clamp type)

Type of Dust Atmosphere Protection

Ex tb IIIC T75°C Db

Enclosure: IP66/IP67 in accordance with IEC 60529
Maximum Surface Temperature: T75°C
Ambient Temperature: -40°C to +60°C
Power Supply:
100 to 240 Va.c. (50/60 Hz) / 100 to 120 Vd.c.
24 Va.c. (50/60 Hz) / 24 Vd.c.
Current I/O: 4 to 20 mA, 32 Vd.c. max.
Digital I/O: 30 Vd.c. max., 200 mA max.
Fieldbus I/O: 32 Vd.c max., 15 mA max.

Korea Flameproof

Applicable Standard:
Notice of Ministry of Labor No. 2016-54
Harmonized with IEC 60079-0, IEC 60079-1,
IEC 60079-7, IEC 60079-11
Certificate:
19-KA4BO-0020X (Integral flowmeter)
19-KA4BO-0022X (Remote Sensor)
19-KA4BO-0021X (Remote Transmitter)

(Integral Flowmeter)**Type of Gas Atmosphere Protection**

Ex d e ia IIC T6...T3

Enclosure: IP66/IP67 in accordance with IEC 60529
Maximum Surface Temperature:
See Table(c) and Table(d).
Ambient Temperature:
See Table(c) and Table(d).
Process Temperature:
See Table(c) and Table(d).
Power Supply:
100 to 240 Va.c. (50/60 Hz) / 100 to 120 Vd.c.
24 Va.c. (50/60 Hz) / 24 Vd.c.
Um: 250 V
Current I/O: 4 to 20 mA, 32 Vd.c. max.
Digital I/O: 30 Vd.c. max., 200 mA max.

(Remote Sensor)**Type of Gas Atmosphere Protection**

Ex d e ia IIC T6...T3

Enclosure: IP66/IP67 in accordance with IEC 60529
Maximum Surface Temperature:
See Table(c) and Table(d).
Ambient Temperature:
See Table(c) and Table(d).
Process Temperature:
See Table(c) and Table(d).
Um: 250 V

(Remote Transmitter)**Type of Gas Atmosphere Protection**

Ex d IIC T6

Enclosure: IP66/IP67 in accordance with IEC 60529
Maximum Surface Temperature: T75°C
Ambient Temperature: -40°C to +60°C
Power Supply:
100 to 240 Va.c. (50/60 Hz) / 100 to 120 Vd.c.
24 Va.c. (50/60 Hz) / 24 Vd.c.
Current I/O: 4 to 20 mA, 32 Vd.c. max.
Digital I/O: 30 Vd.c. max., 200 mA max.

INMETRO Flameproof (Brazil)

Applicable Standard:
 ABNT NBR IEC 60079-0
 ABNT NBR IEC 60079-1
 ABNT NBR IEC 60079-7
 ABNT NBR IEC 60079-11
 ABNT NBR IEC 60079-31
 Portaria INMETRO n° 179 de 18/05/2010.
 Certificate: TÜV 18.3229 X

(Integral Flowmeter)**Type of Gas Atmosphere Protection**

Ex db eb ia IIC T6...T3 Gb
 (Transmitter Wiring Terminal: M4 screw type)
 Ex db eb ia IIC T6...T3 Gb
 Terminal Compartment: Ex db or Ex eb
 (Transmitter Wiring Terminal: Clamp type)

Type of Dust Atmosphere Protection

Ex tb IIIC T75°C...T130°C Db

Enclosure: IP66/IP67 in accordance with IEC 60529
 Maximum Surface Temperature:
 See Table(c) and Table(d).
 Ambient Temperature:
 See Table(c) and Table(d).
 Process Temperature:
 See Table(c) and Table(d).
 Power Supply:
 100 to 240 Va.c. (50/60 Hz) / 100 to 120 Vd.c.
 24 Va.c. (50/60 Hz) / 24 Vd.c.
 Um: 250 V
 Current I/O: 4 to 20 mA, 32 Vd.c. max.
 Digital I/O: 30 Vd.c. max., 200 mA max.

(Remote Sensor)**Type of Gas Atmosphere Protection**

Ex db eb ia IIC T6...T3 Gb

Type of Dust Atmosphere Protection

Ex tb IIIC T75°C...T150°C Db

Enclosure: IP66/IP67 in accordance with IEC 60529
 Maximum Surface Temperature:
 See Table(c) and Table(d).
 Ambient Temperature:
 See Table(c) and Table(d).
 Process Temperature:
 See Table(c) and Table(d).
 Um: 250 V

(Remote Transmitter)**Type of Gas Atmosphere Protection**

Ex db IIC T6 Gb
 (Transmitter Wiring Terminal: M4 screw type)
 Ex db IIC T6 Gb or Ex db eb IIC T6 Gb
 (Transmitter Wiring Terminal: Clamp type)

Type of Dust Atmosphere Protection

Ex tb IIIC T75°C Db

Enclosure: IP66/IP67 in accordance with IEC 60529
 Maximum Surface Temperature: T75°C
 Ambient Temperature: -40°C to +60°C
 Power Supply:
 100 to 240 Va.c. (50/60 Hz) / 100 to 120 Vd.c.
 24 Va.c. (50/60 Hz) / 24 Vd.c.
 Current I/O: 4 to 20 mA, 32 Vd.c. max.
 Digital I/O: 30 Vd.c. max., 200 mA max.

EAC

Applicable Standard:
 GOCT 31610.0 (IEC 60079-0), GOCT IEC 60079-1,
 GOCT P MЭК 60079-7, GOCT 31610.11 (IEC
 60079-11),
 GOCT P MЭК 60079-27, GOCT IEC 60079-31
 Certificate: EAЭC RU C-JP.AA87.B.00388/20

(Integral Flowmeter)**Type of Gas Atmosphere Protection**

1Ex db e ia IIC T6...T3 Gb X
 (Transmitter Wiring Terminal: M4 screw type)
 1Ex db e ia IIC T6...T3 Gb X
 Terminal Compartment: Ex db or Ex e
 (Transmitter Wiring Terminal: Clamp type)

Type of Dust Atmosphere Protection

Ex tb IIIC T75°C...T130°C Db X

Enclosure: IP66/IP67 in accordance with GOCT 14254
 Maximum Surface Temperature:
 See Table(c) and Table(d).
 Ambient Temperature:
 See Table(c) and Table(d).
 Process Temperature:
 See Table(c) and Table(d).
 Power Supply:
 100 to 240 Va.c. (50/60 Hz) / 100 to 120 Vd.c.
 24 Va.c. (50/60 Hz) / 24 Vd.c.
 Um: 250 V
 Current I/O: 4 to 20 mA, 32 Vd.c. max.
 Digital I/O: 30 Vd.c. max., 200 mA max.
 Fieldbus I/O: 32 Vd.c. max., 15 mA max.

(Remote Sensor)**Type of Gas Atmosphere Protection**

1Ex db e ia IIC T6...T3 Gb X

Type of Dust Atmosphere Protection

Ex tb IIIC T75°C...T150°C Db X

Enclosure: IP66/IP67 in accordance with GOCT 14254
 Maximum Surface Temperature:
 See Table(c) and Table(d).
 Ambient Temperature:
 See Table(c) and Table(d).
 Process Temperature:
 See Table(c) and Table(d).
 Um: 250 V

(Remote Transmitter)**Type of Gas Atmosphere Protection**

1Ex db IIC T6 Gb X
 (Transmitter Wiring Terminal: M4 screw type)
 1Ex db IIC T6 Gb X or 1Ex db e IIC T6 Gb X
 (Transmitter Wiring Terminal: Clamp type)

Type of Dust Atmosphere Protection

Ex tb IIIC T75°C Db X

Enclosure: IP66/IP67 in accordance with GOCT 14254
 Maximum Surface Temperature: T75°C
 Ambient Temperature: -40°C to +60°C
 Power Supply:
 100 to 240 Va.c. (50/60 Hz) / 100 to 120 Vd.c.
 24 Va.c. (50/60 Hz) / 24 Vd.c.
 Current I/O: 4 to 20 mA, 32 Vd.c. max.
 Digital I/O: 30 Vd.c. max., 200 mA max.
 Fieldbus I/O: 32 Vd.c. max., 15 mA max.

Table (c): Temperature Table (IECEX, Korea, INMETRO, EAC)

| Model | Size | Process Connection | Lining | Temperature Table* | |
|--|--------------------------------|--------------------|-------------|--------------------|---------------|
| | | | | Integral Flowmeter | Remote Sensor |
| AXW025, AXW032, AXW040, AXW050, AXW065, AXW080, AXW100, AXW125 | 25 to 125 mm (1 to 5 in.) | Flange | PTFE Lining | Table A | Table A |
| AXW150, AXW200, AXW250, AXW300, AXW350, AXW400 | 150 to 400 mm (6 to 16 in.) | Flange | PTFE Lining | Table B | Table B |

*: For details, see Table No. on Table (d).

Table (d): Ambient Temperature and Process Temperature (IECEX, Korea, INMETRO, EAC)

| Table No. | Ambient Temperature | Temperature Class | Maximum Surface Temperature | Process Temperature |
|-----------|---------------------|-------------------|-----------------------------|---------------------|
| A | -10°C to +45°C | T6 | T75°C | -10°C to +50°C |
| | | T5 | T90°C | -10°C to +75°C |
| | -10°C to +60°C | T4 | T120°C | -10°C to +120°C |
| | | T3 | T130°C | -10°C to +120°C |
| B | -10°C to +60°C | T6 | T75°C | -10°C to +75°C |
| | | T5 | T90°C | -10°C to +90°C |
| | | T4 | T120°C | -10°C to +100°C |
| | | T3 | T150°C | -10°C to +100°C |

■ PERFORMANCE

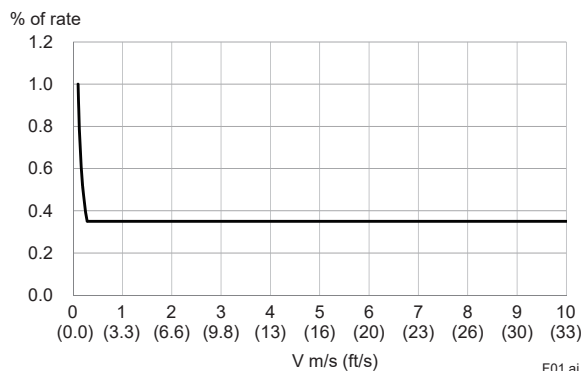
Accuracy:

- AXW Integral Flowmeter, combination of AXW Remote Sensor and AXW4A or AXG1A Remote Transmitter, or combination of AXW Remote Sensor and AXFA11 Remote Transmitter

| Size mm (in.) | Flow Velocity V m/s (ft/s) | Standard Accuracy |
|-----------------------|----------------------------------|----------------------|
| 25 to 400 (1) (16) | $V < 0.3$ (1) | ± 1.0 mm/s |
| | $0.3 \leq V \leq 10$ (1) (33) | ± 0.35 % of rate |

Sizes 25 to 400 mm (1 to 16 in.)

Standard Accuracy



Note: The accuracy above is the result of calibration test at our water flow facility before shipment. It is defined by the integrated value of the pulse output. As for the current output accuracy, add $\pm 8 \mu\text{A}$ ($\pm 0.05\%$ of span) to the accuracy above. Calibration takes place at reference conditions as below.

Medium: Water, Density: 0.9 to 1.1 kg/l
Medium temperature: 10 to 35°C (50 to 95°F)
(Average temperature 22.5°C (72.5°F))

Ambient temperature: 10 to 35°C (50 to 95°F)

Process pressure (absolute):
0.1 to 0.2 MPa (15 to 29 psi)

Reference Standards:

JIS B 7554, ISO 4185, ISO 5168, ISO 20456, BS EN 29104

Repeatability:

$\pm 0.1\%$ of rate (Velocity 1 m/s (3.3 ft/s) or above)

$\pm 0.05\%$ of rate ± 0.5 mm/s (Velocity below 1 m/s (3.3 ft/s))

Measurement Range:

Minimum Span Velocity: 0.1 m/s (0.33 ft/s)

0.5 m/s (1.64 ft/s) when option E21 is applied

Maximum Span Velocity: 10 m/s (33 ft/s)

Note: For details of span flow rate, read "Sizing Data", and "Ordering Information".

Power Consumption:

Integral Type: 13 W

Remote Type: 13 W (with AXW4A Remote Transmitter)

32 W (with AXG1A Remote Transmitter)

20 W (with AXFA11 Remote Transmitter)

Note: The power consumption is the same as above regardless of the communication and I/O type.

Insulation Resistance:

Integral Flowmeter:

Between power supply terminals and ground terminal:

100 M Ω /500 V DC

Between power supply terminals and input/output terminals:

100 M Ω /500 V DC

Between ground terminal and input/output terminals:

20 M Ω /100 V DC or 125 V DC

Between input/output terminals*:

20 M Ω /100 V DC or 125 V DC

*: Not applicable for I/O3 and I/O4+ of Modbus

Remote Sensor:

Between signal terminals*:

100 M Ω /500 V DC

Between signal terminals and common terminal*:

100 M Ω /500 V DC

*: Not applicable for Explosion protection type

Between excitation current terminal and signal / common terminals:

100 M Ω /500 V DC

Remote Transmitter:

Between power supply terminals and ground terminal:

100 M Ω /500 V DC

Between power supply terminals and input/output or excitation current terminals:

100 M Ω /500 V DC

Between ground terminal and input/output or excitation current terminals:

20 M Ω /100 V DC or 125 V DC

Between input/output* and excitation current terminals:

20 M Ω /100 V DC or 125 V DC

*: Not applicable for I/O3 and I/O4+ of Modbus

Withstand Voltage:**Integral Flowmeter:**

Between power supply terminals and ground terminal:

1400 V AC for 2 seconds

Between power supply terminals and input/output terminals:

1400 V AC for 2 seconds

Remote Sensor (Optional code WT1):

Between excitation current terminal and ground terminal:

1000 V AC for 1 minute

Remote Sensor (Optional code WT2):

Between excitation current terminal and ground terminal:

1500 V AC for 1 minute

Between signal terminals and excitation current terminal:

1500 V AC for 1 minute

Remote Sensor (Explosion protection type):

Between excitation current terminal and ground terminal:

1500 V AC for 1 minute, or 1800 V AC for 0.2 second

Between signal terminals and excitation current terminal:

1500 V AC for 1 minute, or 1800 V AC for 0.2 second

Remote Transmitter:

Between power supply terminals and ground terminal:

1400 V AC for 2 seconds

Between power supply terminals and input/output terminals:

1400 V AC for 2 seconds

Between excitation current terminal and ground terminal:

160 V AC for 2 seconds

Between excitation current terminal and input/output terminals:

350 V AC for 2 seconds

■ NORMAL OPERATING CONDITIONS**Ambient Temperature:**

-10 to 60°C (14 to 140°F)

Note: Minimum temperature is limited according to minimum fluid temperature of sensor's specification. Read "Fluid Temperature and Pressure".

Refer to the HAZARDOUS AREA CLASSIFICATION for Explosion protection type.

Ambient Humidity:

0 to 100%

Note: Lengthy continuous operation at 95% or more is not recommended.

Power Supply:**Power Supply Code 1:**

AC Type:

Rated Power Supply: 100 to 240 V AC, 50/60 Hz

Operating Voltage Range: 80 to 264 V AC

DC Type:

Rated Power Supply: 100 to 120 V DC

Operating Voltage Range: 90 to 130 V DC

Power Supply Code 2:

AC Type:

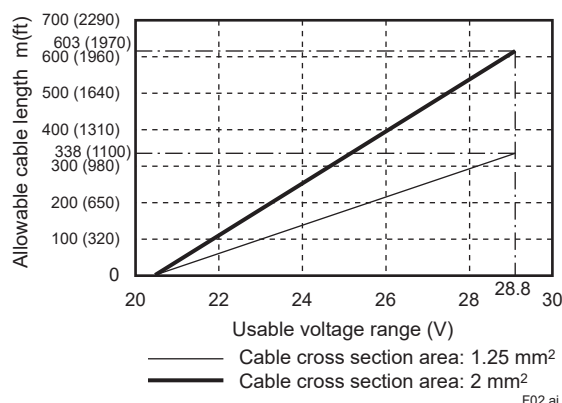
Rated Power Supply: 24 V AC, 50/60 Hz

Operating Voltage Range: 20.4 to 28.8 V AC

DC Type:

Rated Power Supply: 24 V DC

Operating Voltage Range: 20.4 to 28.8 V DC

Supply Voltage and Power Supply Cable Length for Power Supply Code 2:

Note: For AXG1A remote transmitter, read general specifications (GS 01E22C01-01EN).

Fluid Conductivity:

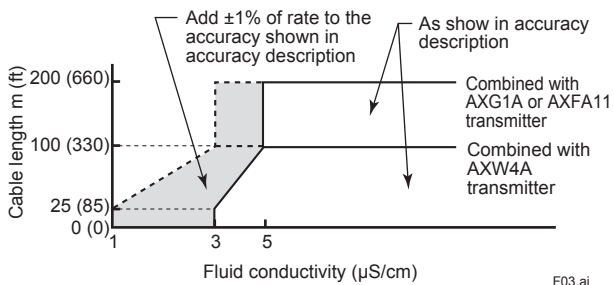
Size 25 to 125 mm (1 to 5 in.): 1 μ S/cm or larger

Size 150 to 400 mm (6 to 16 in.): 3 μ S/cm or larger

Note: For measuring low conductivity fluids, read "Cautions on Selection and Installation".

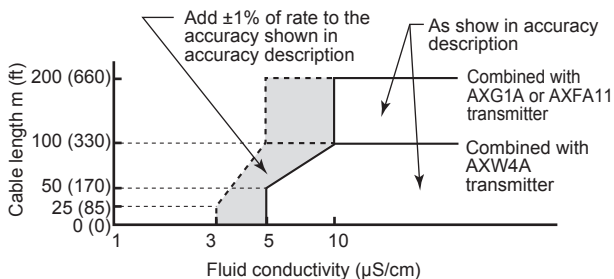
Signal Cable Length and Fluid Conductivity (Remote Sensor):

Sizes 25 to 125 mm (1 to 5 in.)



F03.ai

Sizes 150 to 400 mm (6 to 16 in.)



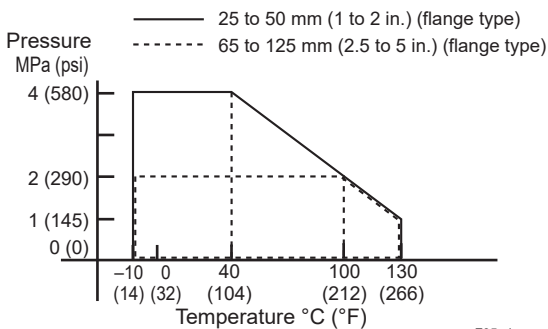
F04.ai

Fluid Temperature and Pressure:

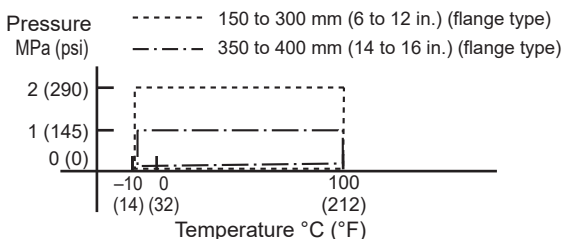
The following figure shows the usable temperature and pressure range of the sensor in each specification. It is also limited by the flange pressure rating of the process connection. For fluid temperature of the Explosion Protection, read descriptions of "Explosion Protection".

PTFE Lining

Note: In the case of PTFE lining, avoid the negative pressure inside the measuring pipe.

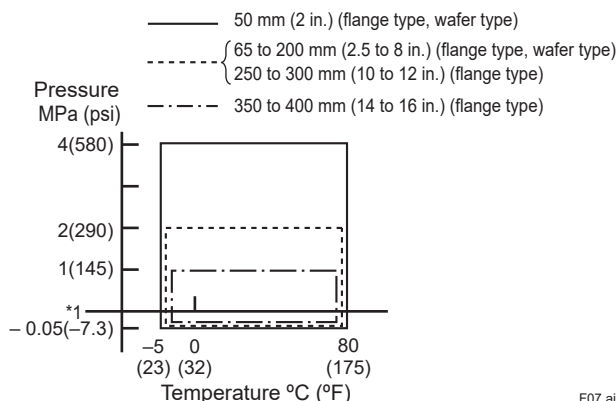


F05.ai



F06.ai

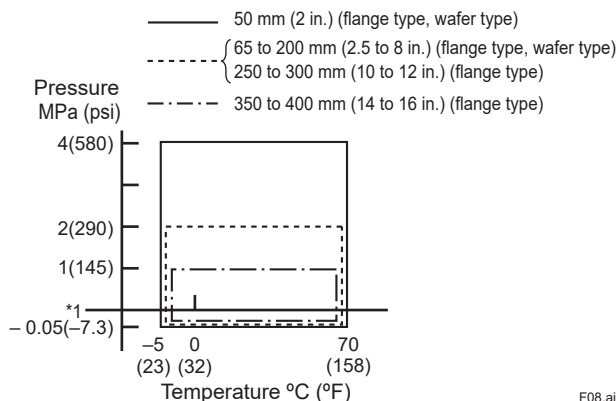
Natural Hard Rubber Lining



F07.ai

*1: For 350 to 400 mm (14 to 16 in.), the minimum pressure is -0.04 MPa (-5.7 psi).

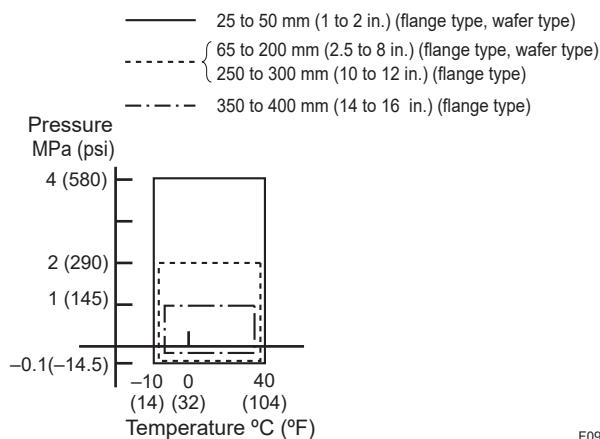
Natural Soft Rubber Lining



F08.ai

*1: For 350 to 400 mm (14 to 16 in.), the minimum pressure is -0.04 MPa (-5.7 psi).

Polyurethane Rubber Lining



F09.ai

Vibration Conditions:

- Integral Flowmeter: 19.6 m/s² - rms (5 to 2000 Hz)
- Remote Sensor: 34.3 m/s² - rms (5 to 2000 Hz)
- Remote Transmitter: 19.6 m/s² - rms (5 to 2000 Hz)

Note: Vibration conditions are based on IEC 60068-2-64. Avoid installation in a place with much vibration (vibration frequency 2000 Hz or more). It may cause damage to the device.

■ CAUTIONS ON SELECTION AND INSTALLATION

Combined Transmitter:

In the following cases, combine with AXG1A or AXFA11G remote transmitter. If it is considered that the flow noise in the fluid could be large because of low conductivity, or high concentration slurry, etc. and the size is 250 mm (10 in.) or more, it is recommended to combine with AXG1A or AXFA11G remote transmitter.

- When mounting remote transmitter to wall or panel
- When cable length exceeds 100 m
- When using 5 or more input/output terminals

Wiring:

For the power cord (-1 100-240 V AC / 100 - 120 V DC), don't bundle the power supply wire and other signal wire into the same wiring port.

Lining:

PTFE Lining:

It is excellent in chemical resistance and suitable for general chemical fluids.

Note: For applications where permeable fluids, highly corrosive fluids, large temperature and pressure fluctuations are applied, we recommend PFA lining or ceramics tube type of the AXG magnetic flowmeter, or Magnetic flowmeter CA Series.

Polyurethane Lining:

It has abrasion resistance and suitable for low slurry fluid of water, water-based solution, muddy water, or seawater.

Natural Hard Rubber Lining:

It has chemical resistance and suitable for acid / alkali fluid of low concentration, and also wastewater / sewage.

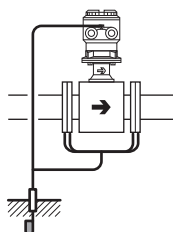
Natural Soft Rubber Lining:

It is a material that can reduce wear of the lining due to slurry mixed fluid. If the concentration of slurry is high, separate measures are required for the electrode part, so consult us.

Note: When the diameter is 200 mm (8 in.) or less, please also consider the ceramics tube type of AXG magnetic flowmeter.

Grounding Device:

The grounding device can be selected as an optional specification. It is unnecessary to use it for metal piping which has no lining. In that case, connect the piping and the sensor flange part (mini-flange or one-piece casting structured measuring pipe for wafer type) with grounding wire supplied by customer (see the figure below). Be sure to select the grounding device when installed at plastic or lining piping.



F10.ai

There are thin type (thickness 1 to 2 mm) and thick type (thickness 3 mm) for grounding rings. If the flange is ASME Class 300, EN PN 40 etc. for high fluid pressure and the tightening torque is high, the thick type is recommended.

Recommended Gasket (for installed piping flange):

Use compressed non-asbestos joint sheet gaskets, PTFE-sheathed non-asbestos joint sheet gaskets or gaskets which have equivalent elasticity. When selecting optional code GA, GC, or GD for plastic piping, use rubber gaskets or ones which have equivalent elasticity (such as PTFE-sheathed rubber gaskets).

When the customer's piping is a lining pipe, the following types of gasket are recommended depending on the lining material of the magnetic flowmeter.

- PTFE lining: PTFE-sheathed gasket
- Polyurethane rubber or natural soft rubber lining: No gasket required
- Natural hard rubber: Gasket with hardness equivalent to hard rubber

Dimensions of the gasket should be determined with reference to the following table (by process connection and lining) and figure. If the inner diameter of the gasket is too large or the outer diameter is too small, liquid leakage may occur.

Unit: mm

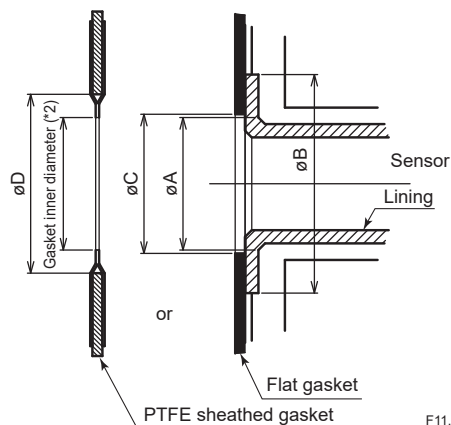
| Size | Natural Hard Rubber/Natural Soft Rubber/Polyurethane Rubber Lining | | | | PTFE/Natural Hard Rubber/Natural Soft Rubber/Polyurethane Rubber Lining | | | | |
|------------------|--|---|--------------------------------------|---|---|---|------------------|--------------------------------------|-----|
| | Wafer | | Flange | | Wafer | | Flange | | |
| | Inner Diameter for Effective Sealing [øA] | Outer Diameter for Effective Sealing [øB] | Recommended Inner Diameter of Gasket | | Inner Diameter for Effective Sealing [øA] | Outer Diameter for Effective Sealing [øB] | | Recommended Inner Diameter of Gasket | |
| Flat Gasket [øC] | | | PTFE-sheathed Gasket [øD] | PTFE/Natural Hard Rubber/Natural Soft Rubber Lining | | Polyurethane Rubber Lining | Flat Gasket [øC] | PTFE-sheathed Gasket [øD] | |
| 25 | 32 | 54 | 35 | | 28 | 35 | 54 | | 29 |
| 32 | 37 | 58 | 43 | | 34 | 40 | 64 | | 34 |
| 40 | 45 | 71 | 49 | | 41 | 48 | 72 | | 41 |
| 50 | 58 | 84 | 61 | | 53 | 61 | 89 | | 53 |
| 65 | 69 | 103 | 84 | | 66 | 72 | 108 | | 66 |
| 80 | 81 | 114 | 90 | | 81 | 85 | 119 | | 81 |
| 100 | 106 | 140 | 115 | | 102 | 110 | 146 | | 102 |
| 125 | 131 | 165 | 141 | | 128 | 136 | 173 | | 128 |
| 150 | 164 | 190 | 167 | | 147 | 164 | 209 {216} *1 | 203 {209} *1 | 167 |
| 200 | 218 | 240 | 218 | | 199 | 218 | 259 {272} *1 | 253 {259} *1 | 201 |
| 250 | - | - | - | | - | 270 | 320 {332} *1 | 316 {320} *1 | 250 |
| 300 | - | - | - | | - | 321 | 367 {392} *1 | 361 {367} *1 | 301 |
| 350 | - | - | - | | - | 350 | 412 | 406 | 359 |
| 400 | - | - | - | | - | 401 | 475 | 469 | 410 |
| 400 | - | - | - | | - | 401 | 475 | 469 | 410 |

Unit: inch

| Size | Natural Hard Rubber/Natural Soft Rubber/Polyurethane Rubber Lining | | | | PTFE/Natural Hard Rubber/Natural Soft Rubber/Polyurethane Rubber Lining | | | | |
|------------------|--|---|--------------------------------------|---|---|---|------------------|--------------------------------------|-------|
| | Wafer | | Flange | | Wafer | | Flange | | |
| | Inner Diameter for Effective Sealing [øA] | Outer Diameter for Effective Sealing [øB] | Recommended Inner Diameter of Gasket | | Inner Diameter for Effective Sealing [øA] | Outer Diameter for Effective Sealing [øB] | | Recommended Inner Diameter of Gasket | |
| Flat Gasket [øC] | | | PTFE-sheathed Gasket [øD] | PTFE/Natural Hard Rubber/Natural Soft Rubber Lining | | Polyurethane Rubber Lining | Flat Gasket [øC] | PTFE-sheathed Gasket [øD] | |
| 25 | 1.26 | 2.13 | 1.38 | | 1.10 | 1.39 | 2.13 | | 1.14 |
| 32 | 1.46 | 2.28 | 1.69 | | 1.34 | 1.59 | 2.53 | | 1.34 |
| 40 | 1.76 | 2.80 | 1.93 | | 1.61 | 1.89 | 2.83 | | 1.61 |
| 50 | 2.26 | 3.31 | 2.40 | | 2.09 | 2.39 | 3.50 | | 2.09 |
| 65 | 2.73 | 4.06 | 3.31 | | 2.60 | 2.84 | 4.25 | | 2.60 |
| 80 | 3.19 | 4.49 | 3.54 | | 3.19 | 3.33 | 4.69 | | 3.19 |
| 100 | 4.19 | 5.51 | 4.53 | | 4.02 | 4.34 | 5.75 | | 4.02 |
| 125 | 5.14 | 6.50 | 5.55 | | 5.04 | 5.34 | 6.81 | | 5.04 |
| 150 | 6.46 | 7.48 | 6.57 | | 5.79 | 6.46 | 8.23 {8.50} *1 | 7.99 {8.23} *1 | 5.91 |
| 200 | 8.58 | 9.45 | 8.58 | | 7.83 | 8.58 | 10.20 {10.71} *1 | 9.96 {10.20} *1 | 7.91 |
| 250 | - | - | - | | - | 10.61 | 12.60 {13.07} *1 | 12.44 {12.60} *1 | 9.84 |
| 300 | - | - | - | | - | 12.64 | 14.44 {15.43} *1 | 14.21 {14.45} *1 | 11.85 |
| 350 | - | - | - | | - | 13.76 | 16.22 | 15.98 | 12.99 |
| 400 | - | - | - | | - | 15.78 | 18.70 | 18.46 | 15.00 |

*1: The value varies depending on the process connection code.

BA2, BJ2, CA2, or CJ2: Value in { }.



*2: To prevent the gasket from protruding into the flow path, make sure that this length is smaller than the minimum inner diameter of the gasket in the table.

Recommended Gasket (between sensor and grounding ring):

In case of natural hard rubber lining sizes 50 to 400 mm (2 to 16 in.) and PTFE lining sizes 150 to 400 mm (6 to 16 in.), prepare the gasket on the sensor side (between the sensor flange and the grounding ring). The recommended gasket inner diameter and material are the same as those for the installed piping flange side gasket in the previous section.

Installing PTFE Lining Sensor:

When installing PTFE lining sensor to the piping and tightening it, be careful not to apply uneven tension and torque to the PTFE. It is recommended to install the PTFE lining sensor with grounding rings or with short pipes at both upstream and downstream side fixed beforehand.

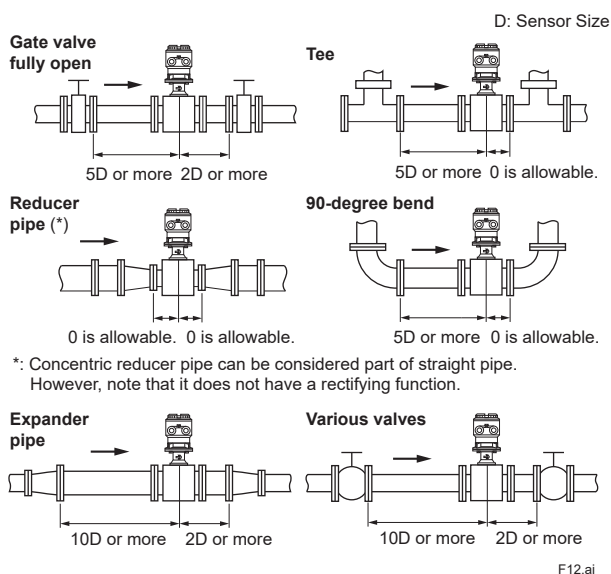
Noise Avoidance:

The flowmeter should be installed away from electrical motors, transformers, and other power sources in order to avoid interference with measurement.

When installing multiple magnetic flowmeters, put the flowmeter the distance at least 5D (D: Size of Model code) apart from the next one. If they are different in size, define that of the bigger one as D.

Mounting of Flowmeters and Required Straight Pipe Length:

Based on JIS B 7554 "Magnetic Flowmeters" and our piping condition test data, we recommend the piping conditions as shown in the following figures. This is not always enough when the piping line incorporates multiple conditions at the same time.



Required Straight Pipe Length

- Do not install anything in the vicinity that may interfere with the magnetic field, induced signal voltages, or flow velocity distributions of the flowmeter.
- A straight run may not be required on the downstream side of the flowmeter. However, if a downstream valve or other fitting causes irregularity or deviation in flows, provide a distance run of 2D to 3D on the downstream side.
- The valves shall be mounted on the downstream side so that deviated flows do not occur in the sensor and to avoid startup from an empty condition.
- In case the piping conditions are compounded, install on the straight pipe section where the upstream part is sufficiently rectified.

Maintaining Stable Fluid Conductivity

Do not install the flowmeter where fluid conductivity tends to become uneven. If chemicals are fed near the upstream side of a magnetic flowmeter, they may affect the flow-rate's indications. To avoid this situation, it is recommended that the chemical feed ports be located on the downstream side of the flowmeter. If it is unavoidable that chemicals must be fed on the upstream side, provide a sufficient straight pipe length (approximately 50D or more) to ensure the proper mixture of fluids.

Low Conductivity Fluid:

When used for fluids with high flow noise (pure water, low viscosity and low conductivity fluid such as alcohols), the output fluctuation increases and the measurement is affected. In that case, using the Magnetic flowmeter CA Series, vortex flowmeter, or Coriolis flowmeter is recommended.

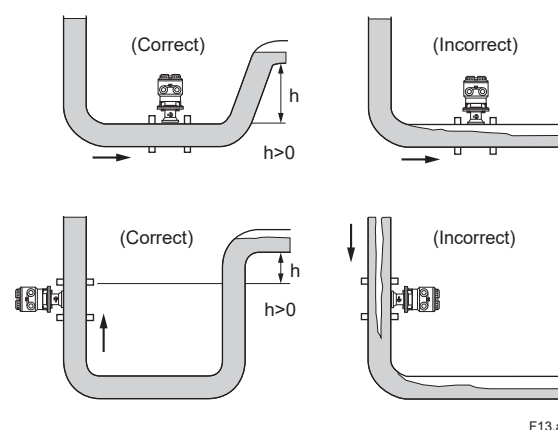
Abrasive Slurry Fluid:

For abrasive slurry fluids mixed with minerals, earth and sand etc., install on vertical piping. This reduces uneven wear of the lining. For sizes 200 mm (8 in.) or less, the AXG magnetic flowmeter with ceramics tube, the Magnetic flowmeter CA Series, or the AXW magnetic flowmeter with natural soft rubber lining is recommended.

Mounting Positions:

- Pipes must be fully filled with liquids. It is essential that pipes remain fully filled at all times, otherwise flow rate indications may be affected and measurement errors may be caused. Piping shall be designed so as to maintain the sensor filled with fluids.

Vertical mounting is effective in such cases as when fluids tend to separate or solid matter may be precipitated. When employing vertical mounting, direct the fluids from the bottom to the top to ensure that the pipes remain fully filled.



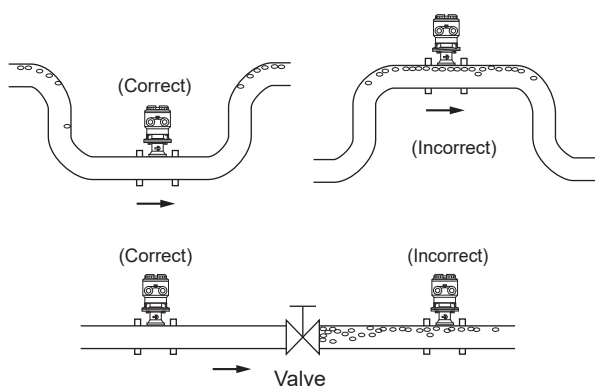
Mounting Positions

- **Avoiding Air Bubbles.**

If air bubbles enter a measurement pipe, flow rate indications may be affected and measurement errors may be caused.

In cases where fluids contain air bubbles, piping must be designed to prevent them from accumulating in the measurement pipe of a sensor.

If a valve exists near the sensor, try to mount the sensor on the valve's upstream side in order to prevent a possible reduction of pressure inside the pipe, thereby avoiding the possibility of air bubbles.



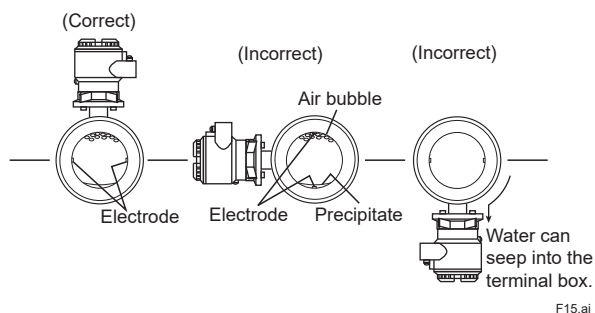
F14.ai

Avoiding Air Bubbles

Mounting Orientation:

Install the magnetic flowmeter so that the electrodes position is not perpendicular to the ground. Otherwise it may cause the measuring errors because air bubbles at upper side or slurry at downside covers the electrode.

Mount the terminal box of a remote sensor and the transmitter of an integral flowmeter above the piping to prevent water from entering them.



F15.ai


Mounting Orientation

Counter Flange Material:

In case of carbon steel flange on which wafer type of the magnetic flowmeter is connected, the measurement may be affected. In this case, flange type is requested.

■ MODEL AND SUFFIX CODE

Note:

- 1: There are some limitations on the combination of specifications. Read specification code table when selecting specification code.
- 2: For EN standard wafer and flange type of sizes 25 to 50 mm (1 to 2 in.), select PN40 even for lower pressure rating because the dimensions of mating faces for PN10, 16, and 40 are the same.
For EN standard wafer and flange type of sizes 65 to 150 mm (2.5 to 6 in.), select PN16 even for lower pressure rating because the dimensions of mating faces for PN10 and 16 are the same.
- 3: The dimensions of mating faces are based on the following flange standards.
JIS F12: JIS G 3443-2, JIS 10K, 20K: JIS B 2220 and JIS G 3443-2,
ASME: ASME B 16.5, EN: EN 1092-1
Each flange standard has the specifications for the limitation on the available fluid temperature and pressure as well as the dimensions. Be sure that user's fluid conditions meet the specifications of each flange standard when selecting a process connection code.
- 4: The grounding device is selectable from none or grounding ring. When selecting the grounding ring, it is also necessary to select its type (material etc.) from the optional codes.
- 5: The lay length (face to face) of the flange type of polyurethane rubber, natural hard rubber, and natural soft rubber lining conforms to ISO standard (ISO 20456). The lay length depends on the presence or absence of the optional grounding rings or gaskets, so see the Dimensional Drawings.
- 6:  Lining, electrode, and grounding device (grounding ring plate) are wetted parts.
Users must consider the characteristics of selected wetted parts material and influence of process fluids. The use of inappropriate materials can result in the leakage of corrosive process fluids and cause injury to personnel and/or damage to plant facilities. It is also possible that the instrument itself can be damaged and that fragments from the instrument can contaminate the user's process fluids. Be very careful with highly corrosive process fluids such as hydrochloric acid, sulfuric acid, hydrogen sulfide, sodium hypochlorite, and high-temperature steam (150°C [302°F] or above). Contact Yokogawa for detailed information of the wetted parts material.
- 7: In the case of remote sensor, select "None (or Without)" for each specification code of "Power Supply", "Communication and I/O", "Transmitter Wiring Terminal" and "Display".
- 8: In the case that final destination is Taiwan and explosion type is required, select IECEx flameproof type.
- 9: Select appropriate equipment in accordance with the laws and regulations of the relevant country/region, when it is used in a location where explosive atmospheres may be present.
In the case that final destination is Taiwan or UAE and the explosion type is required, select IECEx explosion protection type.

●General-purpose, Submersible, Explosionprotection, Wafer, Flange

| Model | Suffix Code | Description | Limitation | |
|----------------------|-------------------------------|------------------------------------|---|------------------------------|
| AXW025 | | Magnetic Flowmeter (25 mm/1 in) | | |
| AXW032 | | Magnetic Flowmeter (32 mm/1.25 in) | | |
| AXW040 | | Magnetic Flowmeter (40 mm/1.5 in) | | |
| AXW050 | | Magnetic Flowmeter (50 mm/2 in) | | |
| AXW065 | | Magnetic Flowmeter (65 mm/2.5 in) | | |
| AXW080 | | Magnetic Flowmeter (80 mm/3 in) | | |
| AXW100 | | Magnetic Flowmeter (100 mm/4 in) | | |
| AXW125 | | Magnetic Flowmeter (125 mm/5 in) | | |
| AXW150 | | Magnetic Flowmeter (150 mm/6 in) | | |
| AXW200 | | Magnetic Flowmeter (200 mm/8 in) | | |
| AXW250 | | Magnetic Flowmeter (250 mm/10 in) | | |
| AXW300 | | Magnetic Flowmeter (300 mm/12 in) | | |
| AXW350 | | Magnetic Flowmeter (350 mm/14 in) | | |
| AXW400 | | Magnetic Flowmeter (400 mm/16 in) | | |
| Use | -G | General-purpose | | |
| | -C | Explosion protection | | |
| | -W | Submersible | Only for Remote Sensor | |
| Construction | A | Integral Flowmeter | | |
| | D | Remote Sensor (for AXFA11) | | |
| | E | Remote Sensor (for AXG1A) | | |
| | W | Remote Sensor (for AXW4A) | | |
| Explosion Protection | 000 | Non Explosion Protection Approval | | |
| | KF2 | ATEX Flameproof | See Restriction for Explosion Protection type | |
| | SF2 | IECEX Flameproof | See Restriction for Explosion Protection type | |
| | GF2 | EAC Flameproof | See Restriction for Explosion Protection type | |
| | PF2 | Korea Flameproof | See Restriction for Explosion Protection type | |
| | UF2 | INMETRO Flameproof (Brazil) | See Restriction for Explosion Protection type | |
| Process Connection | Wafer | AA1 | ASME Class 150 Wafer | 25 to 200 mm (1 to 8 in.) |
| | | AA2 | ASME Class 300 Wafer | 25 to 200 mm (1 to 8 in.) |
| | | AE1 | EN PN10 Wafer | 200 mm (8 in.) |
| | | AE2 | EN PN16 Wafer | 65 to 200 mm (2.5 to 8 in.) |
| | | AE4 | EN PN40 Wafer | 25 to 50 mm (1 to 2 in.) |
| | | AG1 | JIS F12 Wafer | 80 to 200 mm (3 to 8 in.) |
| | | AJ1 | JIS 10K Wafer | 25 to 200 mm (1 to 8 in.) |
| | | AJ2 | JIS 20K Wafer | 25 to 200 mm (1 to 8 in.) |
| | Stainless Steel Flange (F304) | BA1 | ASME Class 150 Flange | |
| | | BA2 | ASME Class 300 Flange | 25 to 300 mm (1 to 12 in.) |
| | | BE1 | EN PN10 Flange | 200 to 400 mm (8 to 16 in.) |
| | | BE2 | EN PN16 Flange | 65 to 300 mm (2.5 to 12 in.) |
| | | BE4 | EN PN40 Flange | 25 to 50 mm (1 to 2 in.) |
| | | BG1 | JIS F12 Flange | 80 to 400 mm (3 to 16 in.) |
| | | BJ1 | JIS 10K Flange | |
| | | BJ2 | JIS 20K Flange | 25 to 300 mm (1 to 12 in.) |
| | Carbon Steel Flange | CA1 | ASME Class 150 Flange | 50 to 400 mm (2 to 16 in.) |
| | | CA2 | ASME Class 300 Flange | 50 to 300 mm (2 to 12 in.) |
| | | CE1 | EN PN10 Flange | 200 to 400 mm (8 to 16 in.) |
| | | CE2 | EN PN16 Flange | 65 to 300 mm (2.5 to 12 in.) |
| | | CE4 | EN PN40 Flange | 50 mm (2 in.) |
| | | CG1 | JIS F12 Flange | 80 to 400 mm (3 to 16 in.) |
| | | CJ1 | JIS 10K Flange | 50 to 400 mm (2 to 16 in.) |
| | | CJ2 | JIS 20K Flange | 50 to 300 mm (2 to 12 in.) |

(Continued)

| | | | |
|-----------------------------|-----------|---|--|
| Lining | F | PTFE Lining | Applicable for Flanges only. Not applicable for Submersible. |
| | U | Polyurethane Rubber Lining | |
| | H | Natural Hard Rubber Lining | 50 to 400 mm (2 to 16 in.) |
| | D | Natural Soft Rubber Lining | 50 to 400 mm (2 to 16 in.) |
| Electrode | L | Stainless Steel 316L | |
| | H | Nickel Alloy | |
| | V | Titanium | Lining: U or D |
| | W | Tungsten Carbide | Only for Lining: U |
| Grounding Device | 1 | None | |
| | 2 | Grounding Rings | Select an optional code |
| Housing and Coating | 1 | Standard Material with Standard Coating | |
| | 2 | Standard Material with Rugged Coating | Not applicable for Submersible |
| Cable Entry | 0 | JIS G1/2 Female | See Restriction for Explosion Protection type |
| | 2 | ASME 1/2 NPT Female | Not applicable for Submersible, See Restriction for Explosion Protection type |
| | 4 | ISO M20×1.5 Female | Not applicable for Submersible, See Restriction for Explosion Protection type |
| Accuracy | B | Standard | |
| Power Supply | -1 | 100-240 V AC / 100-120 V DC | Only for Integral Flowmeter |
| | -2 | 24 V AC / DC | Only for Integral Flowmeter |
| | -N | None (Remote Sensor) | Only for Remote Sensor |
| Communication and I/O | D# | #: A, E, G BRAIN and I/O (Type A, E, G). See "Details". | Only for Integral Flowmeter |
| | J# | #: A, E, G HART 7 and I/O (Type A, E, G). See "Details". | Only for Integral Flowmeter |
| | M# | #: 0, 6 Modbus and I/O (Type 0, 6). See "Details". | Only for Integral Flowmeter |
| | F0 | FOUNDATION Fieldbus I/O | Only for Integral Flowmeter |
| | G0 | PROFIBUS PA I/O | Only for Integral Flowmeter |
| | P0 | EtherNet/IP | Only for Integral Flowmeter Only for Transmitter Wiring Terminal: 1 Only for Display: 3 or N |
| | NN | None (Remote Sensor) | Only for Remote Sensor |
| Transmitter Wiring Terminal | 1 | M4 Screw-type | |
| | 2 | Clamp Type | |
| | N | None (Remote Sensor) | Only for Remote Sensor |
| Display | 1 | With Display (English, Multi-language) | Only for Integral Flowmeter |
| | 2 | With Display (English, Chinese) | Only for Integral Flowmeter |
| | 3 | With Display (English) | Only for Integral Flowmeter Only for Communication and I/O: P0 |
| | N | Without Display/Remote Sensor | |
| Optional Specification | | /# Refer to optional specification table. | |

●General-purpose, ExplosionProtection, Remote Transmitter

| Model | Suffix Code | Description | Limitation |
|-----------------------------|-------------|---|---|
| AXW4A | | Magnetic Flowmeter Remote Transmitter | |
| Use | -G | General-purpose | |
| | -C | Explosion protection | |
| Explosion Protection | 000 | Non Explosion Protection Approval | |
| | KF2 | ATEX Flameproof | See Restriction for Explosion Protection type |
| | SF2 | IECEX Flameproof | See Restriction for Explosion Protection type |
| | GF2 | EAC Flameproof | See Restriction for Explosion Protection type |
| | PF2 | Korea Flameproof | See Restriction for Explosion Protection type |
| | UF2 | INMETRO Flameproof (Brazil) | See Restriction for Explosion Protection type |
| Housing and Coating | 1 | Standard Material with Standard Coating | |
| | 2 | Standard Material with Rugged Coating | |
| Cable Entry | 0 | JIS G1/2 Female | See Restriction for Explosion Protection type |
| | 2 | ASME 1/2 NPT Female | See Restriction for Explosion Protection type |
| | 4 | ISO M20×1.5 Female | See Restriction for Explosion Protection type |
| Power Supply | 1 | 100-240 V AC / 100-120 V DC | |
| | 2 | 24 V AC / DC | |
| Communication and I/O | D# | #: A, E, G BRAIN and I/O (Type A, E, G). See "Details". | |
| | J# | #: A, E, G HART 7 and I/O (Type A, E, G). See "Details". | |
| | M# | #: 0, 6 Modbus and I/O (Type 0, 6). See "Details". | |
| | F0 | FOUNDATION Fieldbus I/O | |
| | G0 | PROFIBUS PA I/O | |
| | P0 | EtherNet/IP | Only for Transmitter Wiring Terminal: 1 Only for Display: 3 or N |
| Transmitter Wiring Terminal | 1 | M4 Screw-type | |
| | 2 | Clamp Type | |
| Display | 1 | With Display (English, Multi-language) | |
| | 2 | With Display (English, Chinese) | |
| | 3 | With Display (English) | Only for Communication and I/O: P0 |
| | N | Without Display/Remote Sensor | |
| Optional Specification | | /# Refer to optional specification table. | |

●Signal Cable

| Model | Suffix Code | Optional Code | Description |
|-------------------------|-------------------|---------------|--|
| AX01C | | | Magnetic Flowmeter Signal Cable |
| Cable Finish and Length | -A### (*1) | | Unfinished, Cable length ### m, Set of Finishing Parts for M4 Screws |
| | -B### (*1) | | Finished for AXG1A, Cable Length ### m |
| | -C### (*1) | | Finished for AXW4A, Cable Length ### m |
| | -D### (*1) | | Finished for AXFA11, Cable Length ### m |
| Finishing Parts | | /C# (*2) | Finishing Parts (# sets) |

*1: Specify the cable length in the "###" with the numerical value three digits (001 to 200) as multiple of 1 meter (e.g. 001, 002, or 005) for a length up to 5 m, as multiple of 5 meters up to 100 m (e.g. 010, 020, or 100), or as multiple of 10 meters up to 200 m (e.g. 110, 120, or 200).
The maximum cable length: -A###: 200 m, -B###: 200 m, -C###: 100 m, -D###: 200 m

5 m (16 ft) when using with Marine Approval Type

*2: Specify the finishing parts quantity in the "#" with the numerical value one digit (1 to 9).

●Details: Communication and I/O (HART type, BRAIN type)

| Type | Communication and I/O Code | | Number of Input and Output | | | |
|--------|----------------------------|--------|----------------------------|-----------------------------|---------------------------|--|
| | BRAIN | HART 7 | Current Output Active | Pulse/Status Output Passive | Status Input (No-voltage) | Pulse/Status Output Active (without internal resistor) |
| Type A | DA | JA | 1 | 1 | — | — |
| Type E | DE | JE | 1 | 2 | 1 | — |
| Type G | DG | JG | 1 | 1 | 1 | 1 |

●Details: Communication and I/O (Modbus type)

| Type | Communication and I/O Code | Number of Input and Output | | |
|--------|----------------------------|----------------------------|-----------------------------|----------------------|
| | Modbus | Current Output Active | Pulse/Status Output Passive | Current Input Active |
| Type 0 | M0 | — | 1 | — |
| Type 6 | M6 | 1 | 1 | — |

●Details: Communication and I/O (FOUNDATION Fieldbus type)

| Type | Communication and I/O Code | Number of Input and Output | | |
|---------|----------------------------|----------------------------|-----------------------------|----------------------|
| | FOUNDATION Fieldbus | Current Output Active | Pulse/Status Output Passive | Current Input Active |
| Type F0 | F0 | — | 1 | — |

●Details: Communication and I/O (PROFIBUS PA type)

| Type | Communication and I/O code | Number of Input and Output | | |
|---------|----------------------------|----------------------------|-----------------------------|----------------------|
| | PROFIBUS PA | Current Output Active | Pulse/Status Output Passive | Current Input Active |
| Type G0 | G0 | — | 1 | — |

●Details: Communication and I/O (EtherNet/IP type)

| Type | Communication and I/O code | Number of Input and Output | | |
|---------|----------------------------|----------------------------|---------------------|----------------------|
| | EtherNet/IP | Current Output Active | Pulse/Status Output | Current Input Active |
| Type P0 | P0 | — | — | — |

●Details: Restriction for Explosion protection type

For Explosion protection type, following combinations of suffix code or optional code are restricted. For other optional codes, refer to optional code tables.

| Item | Code | Restriction of Combination | |
|-----------------------------|------|--|---|
| | | Mandatory | Not Available |
| ATEX Flameproof | KF2 | <ul style="list-style-type: none"> Optional Code: EC Lining: F (PTFE Lining) | <ul style="list-style-type: none"> Use: -G, -W Cable Entry: 0 (JIS G1/2) Communication and I/O: Type P0 Process Connection: AG1, AJ#, BG1, BJ#, CG1, CJ# Optional code: CS |
| IECEx Flameproof | SF2 | <ul style="list-style-type: none"> Lining: F (PTFE Lining) | <ul style="list-style-type: none"> Use: -G, -W Cable Entry: 0 (JIS G1/2) Communication and I/O: Type P0 Optional Code: EC |
| EAC Flameproof | GF2 | <ul style="list-style-type: none"> Optional Code: VE, VR Lining: F (PTFE Lining) | <ul style="list-style-type: none"> Use: -G, -W Cable Entry: 0 (JIS G1/2) Communication and I/O: Type P0 Optional Code: EC, CS, JC |
| Korea Flameproof | PF2 | <ul style="list-style-type: none"> Lining: F (PTFE Lining) | <ul style="list-style-type: none"> Use: -G, -W Cable Entry: 0 (JIS G1/2) Communication and I/O: Type P0 Optional Code: EC, JC |
| INMETRO Flameproof (Brazil) | UF2 | <ul style="list-style-type: none"> Lining: F (PTFE Lining) | <ul style="list-style-type: none"> Use: -G, -W Cable Entry: 0 (JIS G1/2) Communication and I/O: Type P0 Optional Code: EC, CS, JC |

OPTIONAL CODE

Application, Usage, and Operating Function

●: Applicable ○: Applicable (except Explosion Protection) —: Not Applicable

| Item | Specification and Applicable Condition | Applicable Model | | | | Code |
|--|--|--------------------------------------|---------------|---------------|--------------------------------------|------|
| | | General-purpose Explosion protection | | Submersible | General-purpose Explosion protection | |
| | | Integral Flowmeter | Remote Sensor | Remote Sensor | Remote Transmitter | |
| DC Noise Cut Circuit (for electrolytic bath) | The DC Noise cut circuit is built into a flowmeter. It works effectively when the fluid conductivity is 50 μ S/cm or more. Empty pipe detection, electrode adhesion diagnosis, electrode potential measurement, and wetted resistance measurement function can not be used. | ● | — | — | ● | ELC |
| Potting Terminal Box with Cable (For district heating and cooling or condensation-proof) | Urethane resin potting is applied in the terminal box of a remote sensor. Signal and excitation cables (when optional code L### is not selected, cable length is each 30 m) are pre-wired and waterproof glands with union joints are attached at factory. For cable entry, selection of JIS G1/2 female thread is necessary. When optional code DHC is selected, the optional code of plastic and waterproof glands can not be selected. | — | ○ | — | — | DHC |
| Signal and Excitation Cable Length | The length of pre-wired signal cable and excitation cable are changed. It is applicable for submersible use or optional code DHC. Specify the cable length in the "###" with the numerical value three digits (001 to 200) as multiple of 1 meter (e.g. 001, 002, or 005) for a length up to 5 m, as multiple of 5 meters up to 100 m (e.g. 010, 020, or 100), or as multiple of 10 meters up to 200 m (e.g. 110, 120, or 200). The maximum cable length is 100 m in combination with the AXW4A transmitter, and 200 m in combination with the AXG1A or AXFA11 transmitter. When optional code L### is not selected, a 30-meter length cable as standard is pre-wired. | — | ○ | ○ | — | L### |
| Oil Prohibited Use | Electrodes, linings, grounding devices (grounding rings plate type), and gaskets are assembled and packed with polyethylene after being cleaned with water and acetone and dried with air. The label "OIL FREE" is affixed. | ● | ● | — | — | K1 |
| Oil Prohibited Use with Dehydration | Electrodes, linings, and grounding devices (grounding rings plate type) are assembled and packed with polyethylene including desiccants after being cleaned with water and acetone and dried with air. The label "OIL & WATER FREE" is affixed. | ● | ● | — | — | K5 |
| Mass Unit Setting | The flow rate calculation is performed in mass unit. In addition to fluid density, specify span flow rate, pulse weight, and totalization weight in mass unit. For specifying procedures, read "Ordering Information". For remote sensor, specified parameters are set in the transmitter that is ordered in combination. | ● | ● | ● | — | MU |
| Signal Down on Failure | The current output signal is set as follows when shipped. Output signal at CPU failure or alarm occurrence: 2.4 mA (-10 %) or less (The standard setting is 21.6 mA (110%) or more at CPU failure or alarm occurrence.) Not applicable with Communication and I/O code M0, F0, G0, P0. | ● | — | — | ● | C1 |
| Signal Down on Failure (NAMUR NE 43 Compliant) | The current output signal is set as follows when shipped. - Output signal limits: 3.8 to 20.5 mA - Output signal at CPU failure or alarm occurrence: 2.4 mA (-10%) or less Not applicable with Communication and I/O code M#, F0, G0, P0. | ● | — | — | ● | C2 |
| Signal Up on Failure (NAMUR NE 43 Compliant) | The current output signal is set as follows when shipped. - Output signal limits: 3.8 to 20.5 mA - Output signal at CPU failure or alarm occurrence: 21.6 mA (110%) or more Not applicable with Communication and I/O code M#, F0, G0, P0. | ● | — | — | ● | C3 |

●Application, Usage, and Operating Function (Continued)

●: Applicable ○: Applicable (except Explosion Protection) —: Not Applicable

| Item | Specification and Applicable Condition | Applicable Model | | | | Code |
|------------------------------------|---|--------------------------------------|---------------|---------------|--------------------------------------|------|
| | | General-purpose Explosion protection | | Submersible | General-purpose Explosion protection | |
| | | Integral Flowmeter | Remote Sensor | Remote Sensor | Remote Transmitter | |
| microSD Card | A microSD card slot is added to the display unit, and a microSD card (capacity 1 GB, format FAT 16) is inserted when shipped. When using parameter store / restore function with microSD card, and/or data logging function, specify optional code MC. Be careful that the microSD card slot is not mounted unless optional code MC is specified. | ● | — | — | ● | MC |
| CE Marking | CE marking is indicated on the nameplate. When the product is used in the countries where CE marking is required, specify optional code EC. Optional code EC can be selected with the following process connection codes. AA#, AE#, BA#, BE#, CA#, CE# | ● | ● | ● | ● | EC |
| NAMUR NE21 | Compliant to NAMUR NE21 under span setting of 0.5 m/s or more in terms of flow velocity. For specifiable span, read "Ordering Information". Combination with optional code EC (CE marking) is necessary. Not applicable with Communication and I/O code M#, F0, G0, P0. | ● | — | — | ● | E21 |
| NSF61 Drinking Water Certification | Compliant to NSF61 Drinking Water Certification. UL marking (NSF61 approval) is indicated on the sensor. When needing NSF61 approval, specify optional code NSF. Water contact temperature: CLD (23°C) Optional code NSF can be selected with the followings: • Size: 25 to 400 mm (1 to 16 in.) • Lining: F (PTFE Lining), U (Polyurethane Rubber Lining) *U is applicable only for 100 to 400 mm (4 to 16 in.) • Electrode: L (Stainless Steel 316L) • Process Connection: AA1 (ASME Class 150 Wafer) AA2 (ASME Class 300 Wafer) AE1 (EN PN10 Wafer) AE2 (EN PN16 Wafer) BA1 (ASME Class 150 Flange: Stainless Steel F304) BA2 (ASME Class 300 Flange: Stainless Steel F304) BE1 (EN PN10 Flange: Stainless Steel F304) BE2 (EN PN16 Flange: Stainless Steel F304) BE4 (EN PN40 Flange: Stainless Steel F304) CA1 (ASME Class 150 Flange: Carbon Steel) CA2 (ASME Class 300 Flange: Carbon Steel) CE1 (EN PN10 Flange: Carbon Steel) CE2 (EN PN16 Flange: Carbon Steel) CE4 (EN PN40 Flange: Carbon Steel) Not applicable with the following Optional Code: • Grounding Rings: GRH, GRJ, GRV and GRW • Japan Domestic Sales: PJ • Flow Calibration in Japan: JC • Bolts, Nuts and Gaskets: BSC and BSF • Gasket: GA, GC and GD | ● | ● | ● | — | NSF |
| Canada Domestic Sales | Compliant to CSA standards. Integral flowmeter and remote sensor are registered with CRN in Canada. When the product is used in Canada, it is mandatory to comply with these standards. Specify optional code CS. Optional code CS can be selected with the following process connection codes. AA#, BA#, CA# Not applicable with the following specifications: • Optional code: EC (CE Marking) • Optional code: VR, VE (EAC Marking) • Optional code: JC (Flow Calibration in Japan) | ○ | ○ | ○ | ○ | CS |

●Application, Usage, and Operating Function (Continued)

●: Applicable ○: Applicable (except Explosion Protection) —: Not Applicable

| Item | Specification and Applicable Condition | Applicable Model | | | | Code |
|---|---|--------------------------------------|---------------|---------------|--------------------------------------|------|
| | | General-purpose Explosion protection | | Submersible | General-purpose Explosion protection | |
| | | Integral Flowmeter | Remote Sensor | Remote Sensor | Remote Transmitter | |
| Japan Domestic Sales | Identifies the final destination as Japan. Mandatory when the final destination is Japan. Not applicable when the final destination is not in Japan. | ● | ● | ● | ● | PJ |
| EAC Approval and Russian Pattern Approval Marking | EAC approval marking and Russian pattern approval marking are indicated on the nameplate. When the product is used in Russian Federation, specify optional code VR. Not applicable with the following specifications: • Communication and I/O: P0 (EtherNet/IP) • Optional code: EC (CE Marking) • Optional code: CS (Canada Domestic Sales) • Optional code: JC (Flow Calibration in Japan) • Optional code: WCD (Marine Approval) | ● | ● | ● | ● | VR |
| EAC Approval Marking without Russian Pattern Approval Marking | EAC approval marking is indicated on the nameplate. (no Russian pattern approval marking). When the product is used in EEU except for Russian Federation, specify optional code VE. Not applicable with the following specifications: • Communication and I/O: P0 (EtherNet/IP) • Optional code: EC (CE Marking) • Optional code: CS (Canada Domestic Sales) • Optional code: JC (Flow Calibration in Japan) • Optional code: WCD (Marine Approval) | ● | ● | ● | ● | VE |
| SIL Certification | Compliant to the functional safety standard IEC61508. When the product is used in a safety instrumented system, specify optional code SL. This product can be used in safety instrumented systems up to SIL2 in simplex configuration and SIL3 in redundant configuration. Not applicable with the following specifications: • Communication and I/O: M#, F0, G0, P0 • Optional code: ELC (DC noise cut circuit) | ● | — | — | ● | SL |
| Marine Approval | For details, refer to the general specifications (GS 01E24A21-04EN) | ● | ● | ● | ● | WCD |

●Tag Plate and Mounting Bracket

●: Applicable ○: Applicable (except Explosion Protection) —: Not Applicable

| Item | Specification and Applicable Condition | Applicable Model | | | | Code |
|----------------------------------|--|--------------------------------------|---------------|---------------|--------------------------------------|------|
| | | General-purpose Explosion protection | | Submersible | General-purpose Explosion protection | |
| | | Integral Flowmeter | Remote Sensor | Remote Sensor | Remote Transmitter | |
| Stainless Steel Tag Plate | The pendant type tag plate (stainless steel 304) is wired around the flowmeter neck. Select optional code SCT when necessary in addition to that on the nameplate, on which the Tag No. is inscribed. Plate size (Height x Width): Approx. 12.5 mm x 40 mm (4.92 in. x 15.7 in.) | ● | ● | ● | ● | SCT |
| Stainless Steel Mounting Bracket | The material of the remote transmitter mounting bracket is changed, from carbon steel to stainless steel 304. | — | — | — | ● | SB |

●Piping Parts

●: Applicable ○: Applicable (except Explosion Protection) —: Not Applicable

| Item | Specification and Applicable Condition | Applicable Model | | | Code |
|----------------------------------|--|--------------------------------------|---------------|---------------|------|
| | | General-purpose Explosion protection | | Submersible | |
| | | Integral Flowmeter | Remote Sensor | Remote Sensor | |
| Bolts, Nuts and Gaskets (Type C) | The mounting bolts, nuts and gaskets of wafer type (process connection code: AJ1, AJ2, AA1) are supplied. Bolt: Stainless steel 304 Nut: Stainless steel 304 Gasket(*): Chloroprene rubber (CR), thickness: 3 mm (0.12 in.) *: The allowable temperature and pressure is equivalent to that of Valqua #2010 series. | ● | ● | ● | BSC |
| Bolts, Nuts and Gaskets (Type F) | The mounting bolts, nuts and gaskets of wafer type (process connection code: AJ1, AJ2, AA1) are supplied. Bolt: Stainless steel 304 Nut: Stainless steel 304 Gasket(*): PTFE-sheathed non-asbestos joint sheet, thickness: 3 mm (0.12 in.) *: The allowable temperature and pressure is equivalent to that of Valqua #7030 (S) series. | ● | ● | ● | BSF |

●Grounding Device

Grounding devices are attached at factory.

For applicable condition of grounding devices and gaskets, see the separate table.

●: Applicable ○: Applicable (except Explosion Protection) —: Not Applicable

| Item | Specification and Applicable Condition | Applicable Model | | | Code |
|--------------------------------|---|--------------------------------------|---------------|---------------|------|
| | | General-purpose Explosion protection | | Submersible | |
| | | Integral Flowmeter | Remote Sensor | Remote Sensor | |
| Grounding Rings (Plate Type L) | Material: Stainless Steel 316L, Thin Type(*). Thickness: 1 mm (0.04 in.) for sizes 25 to 200 mm (1 to 8 in.) 2 mm (0.08 in.) for sizes 250 to 400 mm (10 to 16 in.) | ● | ● | ● | GRL |
| Grounding Rings (Plate Type N) | Material: Stainless Steel 316L, Thick Type(*). Thickness: 3 mm (0.12 in.) for sizes 25 to 400 mm (1 to 16 in.) | ● | ● | ● | GRN |
| Grounding Rings (Plate Type H) | Material: Nickel Alloy, Thin Type(*). Thickness: 1 mm (0.04 in.) for sizes 25 to 200 mm (1 to 8 in.) 2 mm (0.08 in.) for sizes 250 to 400 mm (10 to 16 in.) | ● | ● | ● | GRH |
| Grounding Rings (Plate Type J) | Material: Nickel Alloy, Thick Type(*). Thickness: 3 mm (0.12 in.) for sizes 25 to 400 mm (1 to 16 in.) | ● | ● | ● | GRJ |
| Grounding Rings (Plate Type V) | Material: Titanium, Thin Type(*). Thickness: 1 mm (0.04 in.) for sizes 25 to 200 mm (1 to 8 in.) 2 mm (0.08 in.) for sizes 250 to 400 mm (10 to 16 in.) Not applicable with the following specifications: • Optional code: WCD (Marine Approval) | ● | ● | ● | GRV |
| Grounding Rings (Plate Type W) | Material: Titanium, Thick Type(*). Thickness: 3 mm (0.12 in.) for sizes 25 to 400 mm (1 to 16 in.) Not applicable with the following specifications: • Optional code: WCD (Marine Approval) | ● | ● | ● | GRW |

*: Either thin type or thick type for the grounding rings can be selected. If the flange pressure ratings is ASME Class 300, EN PN 40 etc. for high fluid pressure and the tightening torque is high, the thick type is recommended.

Size Range by Grounding Device

Grounding Ring Plate:

Stainless Steel 316L: 25 to 400 mm (1 to 16 in.)

Nickel Alloy: 25 to 400 mm (1 to 16 in.)

Titanium: 25 to 400 mm (1 to 16 in.)

●Gasket

Grounding devices are attached at factory.

For applicable condition of grounding devices and gaskets, see the separate table.

●: Applicable ○: Applicable (except Explosion Protection) —: Not Applicable

| Item | Specification and Applicable Condition | Applicable Model | | | Code |
|---------------------------------------|--|--------------------------------------|---------------|---------------|------|
| | | General-purpose Explosion protection | | Submersible | |
| | | Integral Flowmeter | Remote Sensor | Remote Sensor | |
| Plastic Pipe Gaskets | Fluororubber gasket (Viton) for plastic piping such as PVC. The allowable temperature and pressure range is the same as those of Valqua #4010 with no special formulation. | ● | ● | ● | GA |
| Plastic Pipe Acid-resistant Gaskets | Fluororubber gasket (Viton) for plastic piping such as PVC. The allowable temperature and pressure range is the same as those of Valqua #4010 with special formulation D2470. | ● | ● | ● | GC |
| Plastic Pipe Alkali-resistant Gaskets | Fluororubber gasket (Viton) for plastic piping such as PVC. The allowable temperature and pressure range is the same as those of Valqua #4010 with special formulation D0970. | ● | ● | ● | GD |

●Details: Applicable Condition for Grounding Devices and Gaskets

●: Applicable —: Not Applicable

| Lining | PTFE Lining | | | | Polyurethane Rubber Lining | | | | Natural Hard Rubber Lining | | | | Natural Soft Rubber Lining | | | |
|--|--------------------|----------|----------------------|----------|----------------------------|----------|--------------------|----------|----------------------------|----------|--------------------|----------|----------------------------|----------|--------------------|----------|
| Process Connection | Flange | | | | Flange | | Wafer | | Flange | | Wafer | | Flange | | Wafer | |
| Size mm (inch) | 25 to 125 (1 to 5) | | 150 to 400 (6 to 16) | | 25 to 400 (1 to 16) | | 25 to 200 (1 to 8) | | 50 to 400 (2 to 16) | | 50 to 200 (2 to 8) | | 50 to 400 (2 to 16) | | 50 to 200 (2 to 8) | |
| Code (Gasket) Code (Grounding Device) | Not selected | GA GC GD | Not selected | GA GC GD | Not selected | GA GC GD | Not selected | GA GC GD | Not selected | GA GC GD | Not selected | GA GC GD | Not selected | GA GC GD | Not selected | GA GC GD |
| Not selected | ● | — | ● | — | ● | — | ● | — | ● | — | ● | — | ● | — | ● | — |
| GRL | — | — | — | — | ● | — | ● | — | — | — | — | — | ● | — | ● | — |
| GRN | ● | ● | ● | — | ● | — | — | — | ● | — | ● | — | ● | — | — | — |
| GRH | — | — | — | — | ● | — | ● | — | — | — | — | — | ● | — | ● | — |
| GRJ | ● | ● | ● | — | ● | — | — | — | ● | — | ● | — | ● | — | — | — |
| GRV | — | — | — | — | ● | — | ● | — | — | — | — | — | ● | — | ● | — |
| GRW | — | — | — | — | ● | — | — | — | — | — | — | — | ● | — | — | — |

●Direction of Cable Entry, Cable Glands

●: Applicable ○: Applicable (except Explosion Protection) —: Not Applicable

| Item | Specification and Applicable Condition | Applicable Model | | | | Code |
|------------------------------|---|--------------------------------------|---------------|---------------|--------------------------------------|------|
| | | General-purpose Explosion protection | | Submersible | General-purpose Explosion protection | |
| | | Integral Flowmeter | Remote Sensor | Remote Sensor | Remote Transmitter | |
| Cable Entry Direction Change | Rotate the transmitter of integral flowmeter or the terminal box of remote sensor and change the direction of the cable entry (+90, +180, or -90 degree). For specifying procedures, read "Ordering Information". | ● | ● | ● | — | RH |
| Waterproof Glands (Type G) | 2 pcs. of waterproof gland, and no blanking plug. Available only for cable entry code 0 (JIS G1/2 female thread). | — | ○ | — | — | EG |
| Waterproof Glands (Type G2) | 2 pcs. of waterproof gland, and a blanking plug. Available only for cable entry code 0 (JIS G1/2 female thread). | ○ | — | — | — | EG2 |
| Waterproof Glands (Type G3) | 3 pcs. of waterproof gland, and no blanking plug. Available only for cable entry code 0 (JIS G1/2 female thread). | ○ | — | — | — | EG3 |
| Waterproof Glands (Type G4) | 4 pcs. of waterproof gland, and a blanking plug. Available only for cable entry code 0 (JIS G1/2 female thread). | — | — | — | ○ | EG4 |
| Waterproof Glands (Type G5) | 5 pcs. of waterproof gland, and no blanking plug. Available only for cable entry code 0 (JIS G1/2 female thread). | — | — | — | ○ | EG5 |
| Waterproof Glands (Type U) | 2 pcs. of waterproof gland with union joint, and no blanking plug. Available only for cable entry code 0 (JIS G1/2 female thread). | — | ○ | — | — | EU |
| Waterproof Glands (Type U2) | 2 pcs. of waterproof gland with union joint, and a blanking plug. Available only for cable entry code 0 (JIS G1/2 female thread). | ○ | — | — | — | EU2 |
| Waterproof Glands (Type U3) | 3 pcs. of waterproof gland with union joint, and no blanking plug. Available only for cable entry code 0 (JIS G1/2 female thread). | ○ | — | — | — | EU3 |
| Waterproof Glands (Type U4) | 4 pcs. of waterproof gland with union joint, and a blanking plug. Available only for cable entry code 0 (JIS G1/2 female thread). | — | — | — | ○ | EU4 |
| Waterproof Glands (Type U5) | 5 pcs. of waterproof gland with union joint, and no blanking plug. Available only for cable entry code 0 (JIS G1/2 female thread). | — | — | — | ○ | EU5 |
| Plastic Glands (Type P) | 2 pcs. of plastic gland, and no blanking plug. Available only for cable entry code 0 (JIS G1/2 female thread). | — | ○ | — | — | EP |
| Plastic Glands (Type P2) | 2 pcs. of plastic gland, and a blanking plug. Available only for cable entry code 0 (JIS G1/2 female thread). | ○ | — | — | — | EP2 |
| Plastic Glands (Type P3) | 3 pcs. of plastic gland, and no blanking plug. Available only for cable entry code 0 (JIS G1/2 female thread). | ○ | — | — | — | EP3 |
| Plastic Glands (Type P4) | 4 pcs. of plastic gland, and a blanking plug. Available only for cable entry code 0 (JIS G1/2 female thread). | — | — | — | ○ | EP4 |
| Plastic Glands (Type P5) | 5 pcs. of plastic gland, and no blanking plug. Available only for cable entry code 0 (JIS G1/2 female thread). | — | — | — | ○ | EP5 |
| Waterproof Glands (Type W) | 2 pcs. of waterproof gland with JIS G3/4 female, and no blanking plug. Available only for cable entry code 0 (JIS G1/2 female thread). | — | ○ | — | — | EW |

•Certificate, Calibration, and Various Test

●: Applicable ○: Applicable (except Explosion Protection) —: Not Applicable

| Item | Specification and Applicable Condition | Applicable Model | | | | Code |
|---------------------------------------|--|--------------------------------------|---------------|---------------|--------------------------------------|------|
| | | General-purpose Explosion protection | | Submersible | General-purpose Explosion protection | |
| | | Integral Flowmeter | Remote Sensor | Remote Sensor | Remote Transmitter | |
| Material Certificate | Material certificate is issued. Target Parts: Measuring Pipe, Electrodes, Grounding Devices (Grounding Rings Plate Type), Flanges (for flange type), Mini-flanges (for wafer type) | ● | ● | ● | — | M01 |
| Material Certificate (EN 10204-3.1) | Material certificates according to EN 10204 Type 3.1 with a dedicated cover is issued. The target parts are the same as the above (Optional code M01). | ● | ● | ● | — | E01 |
| Calibration Certificate (Level 2) | The Declaration and the Calibration Equipment List are issued. | ● | ● | ● | ● | L2 |
| Calibration Certificate (Level 3) | The Declaration and the Primary Standard List are issued. | ● | ● | ● | ● | L3 |
| Calibration Certificate (Level 4) | The Declaration and the Yokogawa Measuring Instruments Control System are issued. | ● | ● | ● | ● | L4 |
| Specified Span Five-point Calibration | With the customer's specified span, the actual flow inspection of 5 points around 0, 25, 50, 75, and 100% is performed. Instead of the flow inspection at the standard flow rate of 2 m/s (6.56 ft/s), the result of flow inspection with the customer specified span is described in a test certificate (QIC). For specifiable spans, read "Ordering Information". | ● | ● | ● | — | SC |
| Flow Calibration in Japan | The actual flow inspection is performed at Yokogawa Manufacturing Kofu Factory in Japan. The result of that flow inspection is described in a test certificate (QIC). To perform the actual flow inspection regularly at Kofu factory, specify optional code JC. For remote type, available only when the combination of the sensor and the transmitter is ordered. In this case, specify this optional code JC for both the sensor and the transmitter. Not available when the sensor or the transmitter is ordered alone. Target Specifications: • Lining: U (Polyurethane Rubber Lining), H (Natural Hard Rubber Lining), D (Natural Soft Rubber Lining) • Communication and I/O: D# (BRAIN), J# (HART), F0 (FOUNDATION Fieldbus) Not applicable with the following specifications: • Explosion Protection: PF2 (Korea Flameproof), UF2 (INMETRO Flameproof) • Lining: F (PTFE Lining) • Communication and I/O: M# (Modbus), G0 (PROFIBUS PA), P0 (EtherNet/IP) • Optional code: CS (Canada Domestic Sales) • Optional code: VR, VE (EAC Marking) | ● | ● | ● | ● | JC |
| Hydrostatic Test | The water pressure depending on the process connection is applied to the lining (measuring pipe) for 10 minutes to check that there is no leakage, and the result is described in a test certificate (QIC). For the test water pressure on each process connection, see the separate table. | ● | ● | ● | — | T01 |
| Withstand Voltage Test (Type 1) | Withstand voltage test on remote sensor of PTFE lining or polyurethane lining is performed, and the result is described in a test certificate (QIC). | — | ○ | ● | — | WT1 |
| Withstand Voltage Test (Type 2) | WT1: Between excitation current terminal and ground terminal: 1000 V AC for 1 minute WT2: Between excitation current terminal and ground terminal: 1500 V AC for 1 minute Between signal terminals and excitation current terminal: 1500 V AC for 1 minute | — | ○ | ● | — | WT2 |

●Certificate, Calibration, and Various Test (Continued)

●: Applicable ○: Applicable (except Explosion Protection) —: Not Applicable

| Item | Specification and Applicable Condition | Applicable Model | | | | Code |
|-------------------------|--|--------------------------------------|---------------|---------------|--------------------------------------|------|
| | | General-purpose Explosion protection | | Submersible | General-purpose Explosion protection | |
| | | Integral Flowmeter | Remote Sensor | Remote Sensor | Remote Transmitter | |
| PMI Test (Type 1) | Fluorescent X-ray analysis of nickel, chromium and molybdenum is performed on parts made of stainless steel or nickel alloy, and a test report is issued. For applicable condition, see the separate table. Target Parts: PM1: Grounding Rings (Plate Type) PM2: Flange (Stainless steel only) PM3: Measuring Pipe | ● | ● | ● | — | PM1 |
| PMI Test (Type 2) | | ● | ● | ● | — | PM2 |
| PMI Test (Type 3) | | ● | ● | ● | — | PM3 |
| Liquid Penetration Test | Liquid penetration test on welded parts of flanges (for flange type) or mini-flanges (for wafer type) is performed and a test report is issued. For applicable condition, see the separate table. | ● | ● | ● | — | PT |

●Details: Water Pressure of Hydrostatic Test (Optional Code T01):

| Process connection code | Process connection | Size: mm (in.) | Water pressure (MPa) |
|-------------------------|--------------------|-----------------------|----------------------|
| #A1 | ASME Class 150 | 25 to 300 (1 to 12) | 3.0 |
| | | 350 to 400 (14 to 16) | 1.5 |
| #A2 | ASME Class 300 | 25 to 50 (1 to 2) | 6.0 |
| | | 65 to 300 (2.5 to 12) | 3.0 |
| #E1 | EN PN10 | 200 to 400 (8 to 16) | 1.5 |
| #E2 | EN PN16 | 65 to 300 (2.5 to 12) | 2.4 |
| #E4 | EN PN40 | 25 to 50 (1 to 2) | 6.0 |
| #G1 | JIS F12 | 80 to 300 (3 to 12) | 1.8 |
| | | 350 to 400 (14 to 16) | 1.5 |
| #J1 | JIS 10K | 25 to 300 (1 to 12) | 2.1 |
| | | 350 to 400 (14 to 16) | 1.5 |
| #J2 | JIS 20K | 25 to 50 (1 to 2) | 6.0 |
| | | 65 to 300 (2.5 to 12) | 3.0 |

●Details: Applicable Condition for PMI Test
○Grounding Rings (Plate Type) (Optional Code PM1)

●: Applicable —: Not Applicable

| Lining | PTFE Lining | Polyurethane Rubber Lining | | Natural Hard Rubber Lining | | Natural Soft Rubber Lining | |
|-------------------------|---------------------------------------|----------------------------|--------------------|----------------------------|--------------------|----------------------------|--------------------|
| | Flange | Flange | Wafer | Flange | Wafer | Flange | Wafer |
| Code (Grounding Device) | Size mm (inch) 25 to 400 (1 to 16) | 25 to 400 (1 to 16) | 25 to 200 (1 to 8) | 50 to 400 (2 to 16) | 50 to 200 (2 to 8) | 50 to 400 (2 to 16) | 50 to 200 (2 to 8) |
| Not selected | — | — | — | — | — | — | — |
| GRL | — | ● | ● | — | — | ● | ● |
| GRN | ● | ● | — | ● | ● | ● | — |
| GRH | — | ● | ● | — | — | ● | ● |
| GRJ | ● | ● | — | ● | ● | ● | — |
| GRV | — | ● | ● | — | — | ● | ● |
| GRW | — | ● | — | — | — | ● | — |

○Flange (Optional Code PM2)

●: Applicable —: Not Applicable

| Lining | PTFE Lining | | Polyurethane Rubber Lining | | | Natural Hard Rubber Lining | | | Natural Soft Rubber Lining | | | |
|-------------------|---------------------------------|-----|----------------------------|-----|-------|----------------------------|-----|-------|----------------------------|-----|-------|-----|
| | Flange | | Flange | | Wafer | Flange | | Wafer | Flange | | Wafer | |
| | Code (Process Connection) | B## | C## | B## | C## | A## | B## | C## | A## | B## | C## | A## |
| Size mm (inch) | | | | | | | | | | | | |
| 25 (1) | ● | — | ● | — | — | — | — | — | — | — | — | — |
| 32 (1.25) | ● | — | ● | — | — | — | — | — | — | — | — | — |
| 40 (1.5) | ● | — | ● | — | — | — | — | — | — | — | — | — |
| 50 (2) | ● | — | ● | — | — | ● | — | — | ● | — | — | — |
| 65 (2.5) | ● | — | ● | — | — | ● | — | — | ● | — | — | — |
| 80 (3) | ● | — | ● | — | — | ● | — | — | ● | — | — | — |
| 100 (4) | ● | — | ● | — | — | ● | — | — | ● | — | — | — |
| 125 (5) | ● | — | ● | — | — | ● | — | — | ● | — | — | — |
| 150 (6) | ● | — | ● | — | — | ● | — | — | ● | — | — | — |
| 200 (8) | ● | — | ● | — | — | ● | — | — | ● | — | — | — |
| 250 (10) | ● | — | ● | — | — | ● | — | — | ● | — | — | — |
| 300 (12) | ● | — | ● | — | — | ● | — | — | ● | — | — | — |
| 350 (14) | ● | — | ● | — | — | ● | — | — | ● | — | — | — |
| 400 (16) | ● | — | ● | — | — | ● | — | — | ● | — | — | — |

○Measuring Pipe (Optional Code PM3)

●: Applicable —: Not Applicable

| Lining | PTFE Lining | Polyurethane Rubber Lining | | Natural Hard Rubber Lining | | Natural Soft Rubber Lining | |
|-------------------|-----------------------|----------------------------|-------|----------------------------|-------|----------------------------|-------|
| | Flange | Flange | Wafer | Flange | Wafer | Flange | Wafer |
| | Process Connection | | | | | | |
| Size mm (inch) | | | | | | | |
| 25 (1) | ● | ● | ● | — | — | — | — |
| 32 (1.25) | ● | ● | ● | — | — | — | — |
| 40 (1.5) | ● | ● | ● | — | — | — | — |
| 50 (2) | ● | ● | ● | ● | ● | ● | ● |
| 65 (2.5) | ● | ● | ● | ● | ● | ● | ● |
| 80 (3) | ● | ● | ● | ● | ● | ● | ● |
| 100 (4) | ● | ● | ● | ● | ● | ● | ● |
| 125 (5) | ● | ● | ● | ● | ● | ● | ● |
| 150 (6) | ● | ● | ● | ● | ● | ● | ● |
| 200 (8) | ● | ● | ● | ● | ● | ● | ● |
| 250 (10) | ● | ● | — | ● | — | ● | — |
| 300 (12) | ● | ● | — | ● | — | ● | — |
| 350 (14) | ● | ● | — | ● | — | ● | — |
| 400 (16) | ● | ● | — | ● | — | ● | — |

●Details: Applicable Condition for Liquid Penetrat Test (Optional Code PT)

●: Applicable —: Not Applicable

| Lining | | PTFE Lining | | Polyurethane Rubber Lining | | | Natural Hard Rubber Lining | | | Natural Soft Rubber Lining | | |
|--------------------|---------------------------------|-------------|-----|----------------------------|-----|-------|----------------------------|-----|-------|----------------------------|-----|-------|
| Process Connection | | Flange | | Flange | | Wafer | Flange | | Wafer | Flange | | Wafer |
| Size mm (inch) | Code (Process Connection) | B## | C## | B## | C## | A## | B## | C## | A## | B## | C## | A## |
| | | 25 (1) | ● | — | ● | — | — | — | — | — | — | — |
| 32 (1.25) | ● | — | ● | — | — | — | — | — | — | — | — | — |
| 40 (1.5) | ● | — | ● | — | — | — | — | — | — | — | — | — |
| 50 (2) | ● | ● | ● | ● | — | — | ● | ● | — | ● | ● | — |
| 65 (2.5) | ● | ● | ● | ● | — | — | ● | ● | — | ● | ● | — |
| 80 (3) | ● | ● | ● | ● | — | — | ● | ● | — | ● | ● | — |
| 100 (4) | ● | ● | ● | ● | — | — | ● | ● | — | ● | ● | — |
| 125 (5) | ● | ● | ● | ● | — | — | ● | ● | — | ● | ● | — |
| 150 (6) | ● | ● | ● | ● | ● | ● | ● | ● | ● | ● | ● | ● |
| 200 (8) | ● | ● | ● | ● | ● | ● | ● | ● | ● | ● | ● | ● |
| 250 (10) | ● | ● | ● | ● | — | — | ● | ● | — | ● | ● | — |
| 300 (12) | ● | ● | ● | ● | — | — | ● | ● | — | ● | ● | — |
| 350 (14) | ● | ● | ● | ● | — | — | ● | ● | — | ● | ● | — |
| 400 (16) | ● | ● | ● | ● | — | — | ● | ● | — | ● | ● | — |

ACCESSORIES

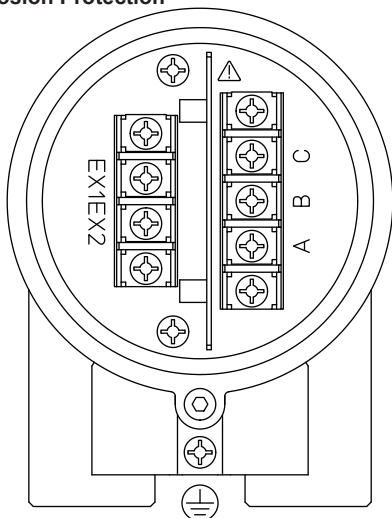
- Centering Device (wafer type only): 1 set
 - Blanking Plug: 1 to 2 pcs.
 - Mounting Bracket (transmitter only): 1 set
- Note: Accessories differ depending on specifications to be selected.

TERMINAL CONFIGURATION

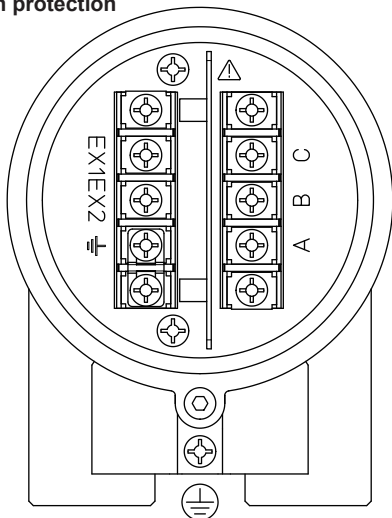
Remote Sensor:

<To be wired to Remote Transmitter>

Non Explosion Protection



Explosion protection



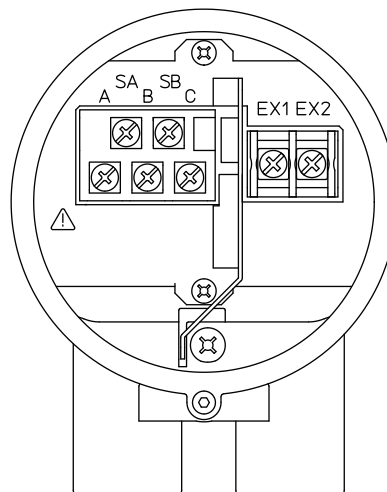
| Terminal Symbol | Description |
|-----------------|---|
| A B C | Flow Signal Output |
| EX1 EX2 | Excitation Current Input |
| ⊕ | Protective Grounding (Outside of the terminal box) |
| ⊕ | Functional grounding (Only for explosion proof type) |

F16.ai

Note: When submersible use or optional code DHC is selected, waterproof glands with union joints and cables are attached.

Remote Transmitter:

<To be wired to Remote Sensor>



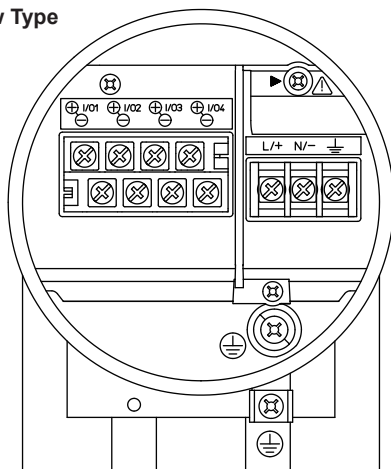
| Terminal Symbol | Description |
|-------------------------|---------------------------|
| SA SB A B C | Flow Signal Input |
| EX1 EX2 | Excitation Current Output |

F17.ai

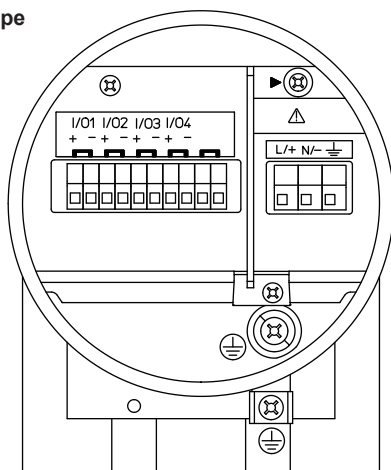
Integral Flowmeter and Remote Transmitter:
For Communication and I/O Suffix Code other than P0 (EtherNet/IP)

<To be wired to Power Supply and I/Os>

M4 Screw Type



Clamp Type



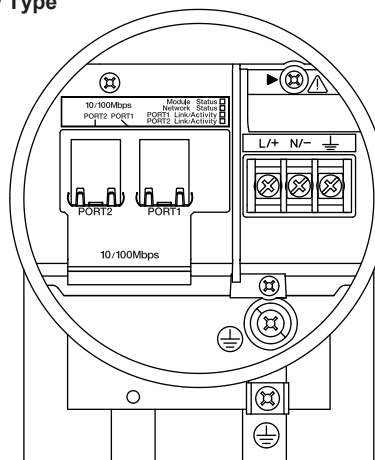
| Terminal Symbol | Description |
|--|--|
| ▶ | Shorting Screw (Need to be fixed for normal operation) |
| ⏏ | Functional Grounding |
| N/- L/+ | Power Supply |
| I/O4 - I/O4 + I/O3 - I/O3 + I/O2 - I/O2 + I/O1 - I/O1 + | Selected Input/Output (Note) |
| ⏏ | Protective Grounding (Inside and outside of the terminal box) |

F18.ai

Note: Read "Functions" for the input/output signal terminals.

For Communication and I/O Suffix Code P0 (EtherNet/IP)
<To be wired to Power Supply and PORTs>

M4 Screw Type



| Terminal Symbol | Description |
|-----------------|--|
| ▶ | Shorting Screw (Need to be fixed for normal operation) |
| ⏏ | Functional Grounding |
| N/- L/+ | Power Supply |
| PORT1 PORT2 | Ethernet port (RJ-45, 2 ports) |
| ⏏ | Protective Grounding (Inside and outside of the terminal box) |

F19.ai

For AXW4A FOUNDATION Fieldbus type remote transmitter, read general specifications (GS 01E21F02-01E).

For AXW4A EtherNet/IP type remote transmitter, read general specifications (GS 01E21F02-02EN).

For AXW4A PROFIBUS PA type remote transmitter, read general specifications (GS 01E21F02-03EN).

For AXG1A remote transmitter, read general specifications (GS 01E22C01-01EN).

For AXFA11G remote transmitter, read general specifications (GS 01E20C01-01E).

Recommended Cable for Excitation, Power and Input/Output:

JIS C 3401 control cable equivalent

JIS C 3312 power cable equivalent

14 AWG Belden 8720 equivalent

Outer Diameter:

Without gland:

ø6.5 to ø12 mm (ø0.26 to ø0.47 in.)

With waterproof gland (optional code EG, EG#, EU, EU#, EW):

For excitation cable:
ø10.5 or ø11.5 mm (ø0.41 or ø0.45 in.)

For power and input/output cable:
ø7.5 to ø12 mm (ø0.30 to ø0.47 in.)

With plastic gland (optional code EP, EP#):
ø6 to ø12 mm (ø0.24 to ø0.47 in.)

Nominal Cross Section:

Single wire: 0.5 to 2.5 mm²

Stranded wire: 0.5 to 1.5 mm²

Excitation Cable for Submersible Use and Optional Code DHC:

Heat resistant vinyl resin sheath cable

Outer diameter ø10.5 mm (ø0.41 in.)

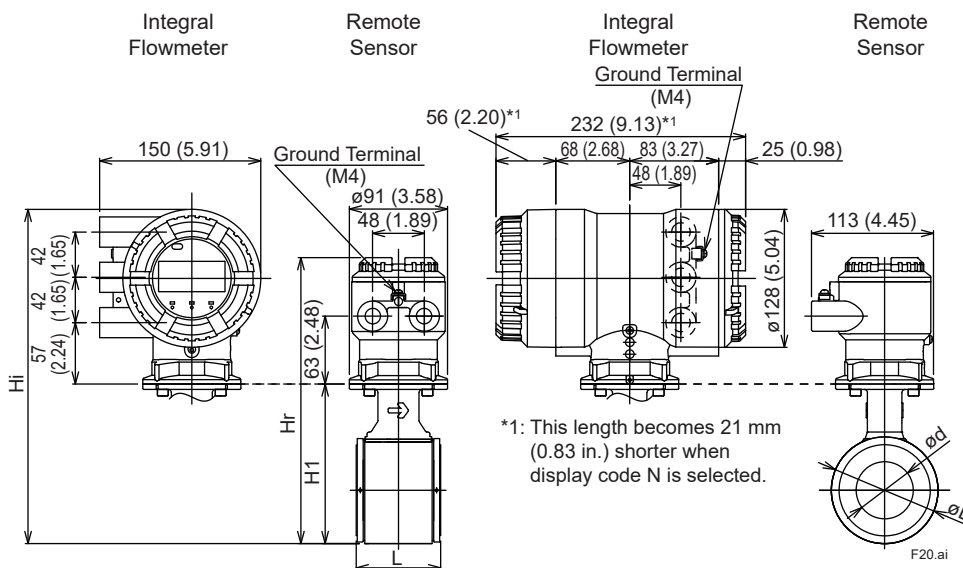
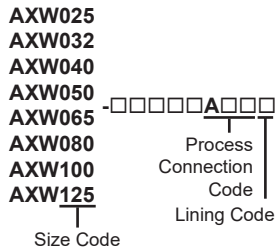
DIMENSIONAL DRAWINGS

(1) Integral Flowmeter, Remote Sensor

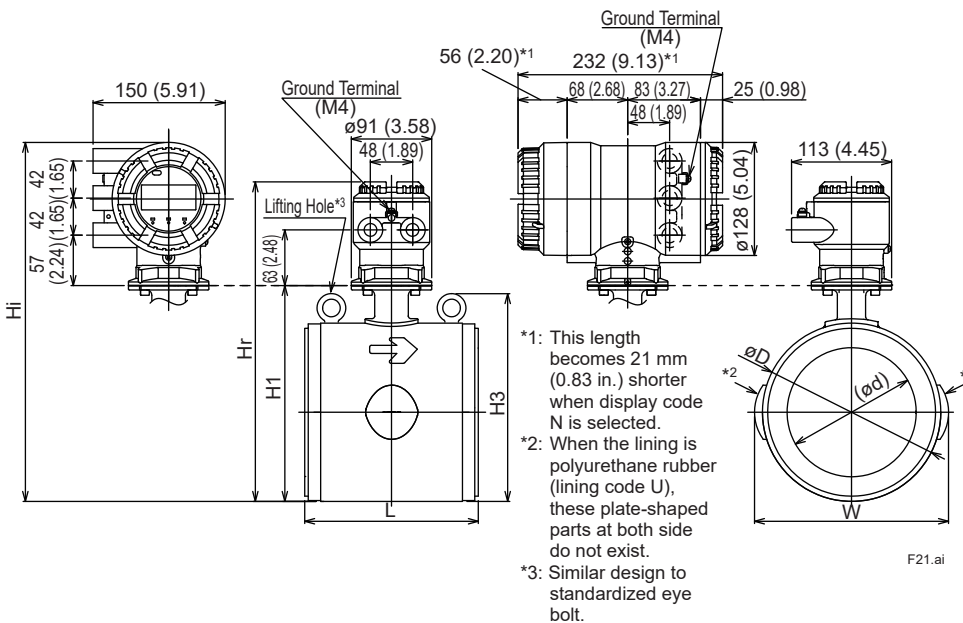
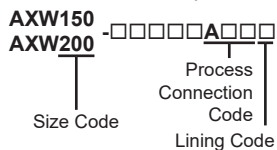
- Wafer (Polyurethane Rubber, Natural Hard Rubber, Natural Soft Rubber Lining)

Unit: mm (approx. in.)

Size 25 to 125 mm (1 to 5 in.)



Size 150 to 200 mm (6 to 8 in.)



Unit: mm (approx. in.)

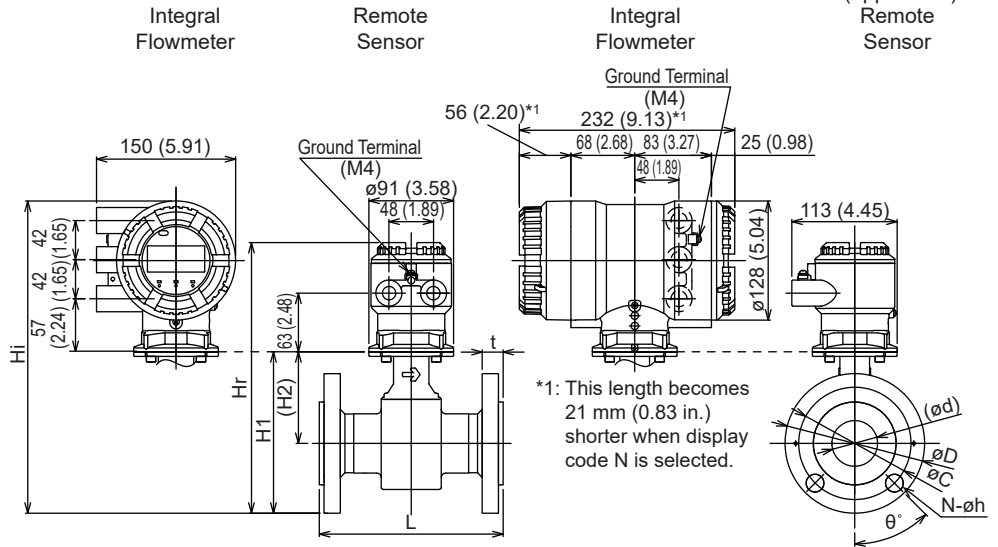
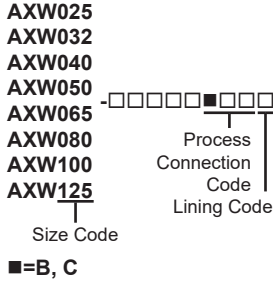
| Model | Process Connection Code | AA1, AA2, AJ1, AJ2 | | | | | | | | | | | | | | | | AA1, AJ1 | | AA2, AJ2 | | AA1, AJ1 | | AA2, AJ2 | |
|---|------------------------------------|--------------------|----------------|----------------|----------------|----------------|----------------|----------------|----------------|----------------|----------------|----------------|----------------|----------------|----------------|----------------|----------------|----------------|----------------|----------------|----------------|----------------|----------------|---------------|--|
| | | AE4 | | | | AE2 | | | | AG1 | | | | AE2 | | AE1 | | AE1 | | | | | | | |
| | | - | - | - | - | - | - | - | - | - | - | - | - | - | - | - | - | - | - | - | - | | | | |
| | | Size Code | 025 | 032 | 040 | 050 | 050 | 065 | 065 | 080 | 100 | 100 | 100 | 125 | 125 | 150 | 150 | 150 | 150 | 200 | 200 | 200 | 200 | | |
| Size | 25 | 32 | 40 | 50 | 50 | 65 | 65 | 80 | 100 | 100 | 100 | 125 | 125 | 150 | 150 | 150 | 150 | 200 | 200 | 200 | 200 | | | | |
| Lining Code | U | U | U | U | H, D | U | H, D | U, H, D | U | H | D | U, D | H | U | H, D | U | H, D | U | H, D | U | H, D | | | | |
| Remote Sensor | Lay Length (*1) | L | 58 (2.30) | 68 (2.69) | 68 (2.69) | 78 (3.09) | 78 (3.09) | 98 (3.87) | 98 (3.87) | 118 (4.66) | 148 (5.84) | 148 (5.84) | 148 (5.84) | 198 (7.81) | 198 (7.81) | 197 (7.76) | 197 (7.76) | 197 (7.76) | 197 (7.76) | 247 (9.72) | 247 (9.72) | 247 (9.72) | 247 (9.72) | | |
| | Outer Diameter | øD | 68 (2.66) | 73 (2.87) | 86 (3.39) | 99 (3.90) | 99 (3.90) | 117 (4.61) | 117 (4.61) | 129 (5.08) | 155 (6.10) | 155 (6.10) | 155 (6.10) | 183 (7.20) | 183 (7.20) | 202 (7.95) | 202 (7.95) | 202 (7.95) | 202 (7.95) | 252 (9.92) | 252 (9.92) | 252 (9.92) | 252 (9.92) | | |
| | Lining Inner Diameter | ød | 24 (0.93) | 29 (1.13) | 37 (1.44) | 49 (1.94) | 49 (1.94) | 61 (2.40) | 61 (2.40) | 73 (2.87) | 97 (3.82) | 97 (3.82) | 98 (3.87) | 96 (3.79) | 121 (4.76) | 123 (4.84) | 145 (5.71) | 147 (5.79) | 145 (5.71) | 147 (5.79) | 194 (7.64) | 198 (7.80) | 194 (7.64) | 198 (7.80) | |
| Integral Flowmeter | Width | W | - | - | - | - | - | - | - | - | - | - | - | - | - | 220 (8.66) | - | 220 (8.66) | - | 270 (10.63) | - | 270 (10.63) | - | | |
| | Height | H1 | 110 (4.33) | 116 (4.57) | 129 (5.08) | 148 (5.83) | 148 (5.83) | 165 (6.50) | 165 (6.50) | 175 (6.89) | 201 (7.91) | 201 (7.91) | 201 (7.91) | 230 (9.06) | 230 (9.06) | 244 (9.62) | 244 (9.62) | 262 (10.31) | 262 (10.31) | 294 (11.59) | 294 (11.59) | 312 (12.28) | 312 (12.28) | | |
| | Height | H3 | - | - | - | - | - | - | - | - | - | - | - | - | - | 235 (9.25) | 235 (9.25) | 235 (9.25) | 235 (9.25) | 285 (11.22) | 285 (11.22) | 285 (11.22) | 285 (11.22) | | |
| Remote Sensor | Maximum Height | Hr | 227 (8.94) | 233 (9.17) | 246 (9.69) | 265 (10.43) | 265 (10.43) | 282 (11.10) | 282 (11.10) | 292 (11.50) | 318 (12.52) | 318 (12.52) | 318 (12.52) | 347 (13.66) | 347 (13.66) | 362 (14.24) | 362 (14.24) | 380 (14.96) | 380 (14.96) | 412 (16.21) | 412 (16.21) | 430 (16.93) | 430 (16.93) | | |
| | Approx. Weight, Unit: kg (lb) (*2) | | 2.2 (4.9) | 2.4 (5.3) | 2.6 (5.7) | 3.2 (7.1) | 3.2 (7.1) | 3.9 (8.6) | 3.9 (8.6) | 4.6 (10.1) | 6.3 (13.9) | 6.3 (13.9) | 6.3 (13.9) | 10.5 (23.2) | 10.5 (23.2) | 14 (30.9) | 14 (30.9) | 14 (30.9) | 14 (30.9) | 20 (44.2) | 20 (44.2) | 20 (44.2) | 20 (44.2) | | |
| Integral Flowmeter | Maximum Height | Hi | 272 (10.71) | 278 (10.94) | 291 (11.46) | 310 (12.20) | 310 (12.20) | 327 (12.87) | 327 (12.87) | 337 (13.27) | 363 (14.29) | 363 (14.29) | 363 (14.29) | 392 (15.43) | 392 (15.43) | 406 (16.00) | 406 (16.00) | 424 (16.69) | 424 (16.69) | 456 (17.97) | 456 (17.97) | 474 (18.66) | 474 (18.66) | | |
| | Approx. Weight, Unit: kg (lb) | | 4.8 (10.6) | 4.9 (10.8) | 5.1 (11.2) | 5.7 (12.6) | 5.7 (12.6) | 6.4 (14.1) | 6.4 (14.1) | 7.2 (15.9) | 8.8 (19.4) | 8.8 (19.4) | 8.8 (19.4) | 13.1 (28.9) | 13.1 (28.9) | 16 (35.3) | 16 (35.3) | 16 (35.3) | 16 (35.3) | 23 (50.8) | 23 (50.8) | 22 (48.6) | 22 (48.6) | | |
| Gaskets (BSC, BSF) (*1) | | | +6 (+0.24) | +6 (+0.24) | +6 (+0.24) | +6 (+0.24) | +6 (+0.24) | +6 (+0.24) | +6 (+0.24) | +6 (+0.24) | +6 (+0.24) | +6 (+0.24) | +6 (+0.24) | +6 (+0.24) | +6 (+0.24) | +6 (+0.24) | +6 (+0.24) | +6 (+0.24) | +6 (+0.24) | +6 (+0.24) | +6 (+0.24) | +6 (+0.24) | +6 (+0.24) | | |
| Grounding rings thin type (GRL, GRH, GRV) (*1) (*3) | | | +2 (+0.08) | +2 (+0.08) | +2 (+0.08) | +2 (+0.08) | +2 (+0.08) | +2 (+0.08) | +2 (+0.08) | +2 (+0.08) | +2 (+0.08) | +2 (+0.08) | +2 (+0.08) | +2 (+0.08) | +2 (+0.08) | +2 (+0.08) | +2 (+0.08) | +2 (+0.08) | +2 (+0.08) | +2 (+0.08) | +2 (+0.08) | +2 (+0.08) | +2 (+0.08) | | |
| Grounding rings thin type (GRL, GRH, GRV) and gaskets (BSC, BSF) (*1) (*3) | | | +8 (+0.31) | +8 (+0.31) | +8 (+0.31) | +8 (+0.31) | +8 (+0.31) | +8 (+0.31) | +8 (+0.31) | +8 (+0.31) | +8 (+0.31) | +8 (+0.31) | +8 (+0.31) | +8 (+0.31) | +8 (+0.31) | +8 (+0.31) | +8 (+0.31) | +8 (+0.31) | +8 (+0.31) | +8 (+0.31) | +8 (+0.31) | +8 (+0.31) | +8 (+0.31) | | |
| Grounding rings thick type (GRN, GRJ) (*1) (*4) | | | - | - | - | - | +6 (+0.24) | - | +6 (+0.24) | +6 (+0.24) | - | +6 (+0.24) | - | +6 (+0.24) | - | +6 (+0.24) | - | +6 (+0.24) | - | +6 (+0.24) | - | +6 (+0.24) | - | | |
| Grounding rings thick type (GRN, GRJ) and gaskets (BSC, BSF) (*1) (*4) (*5) | | | - | - | - | - | +12 (+0.47) | - | +12 (+0.47) | +12 (+0.47) | - | +12 (+0.47) | - | +12 (+0.47) | - | +12 (+0.47) | - | +12 (+0.47) | - | +12 (+0.47) | - | +12 (+0.47) | - | | |

- *1: Add the value above (which is the total of both ends) to the lay length "L" when selecting optional grounding rings with/without gaskets. Also, the thickness of customer supplied gaskets should be added for getting the total lay length.
- *2: When submersible use or optional code DHC is selected, waterproof glands with union joints and cables are attached. When the cable length is 30-meters, add 9.5 kg (20.9 lb) to the weight in the table.
- *3: These grounding rings (GRL, GRH, GRV) are not applied to lining code H but for U and D.
- *4: These grounding rings (GRN, GRJ) are applied only to lining code H.
- *5: When applying these grounding rings (GRN, GRJ), gaskets supplied by customer are necessary. For sizes up to 125 mm (5 in.), recommended thickness of the gasket is 2 mm (0.08 in.) per one, bringing 4 mm (0.16 in.) per two, and for sizes 150 mm (6 in.) and above, it is 3 mm (0.12 in.) per one, bringing 6 mm (0.24 in.) per two, to be additionally added for getting the total lay length.

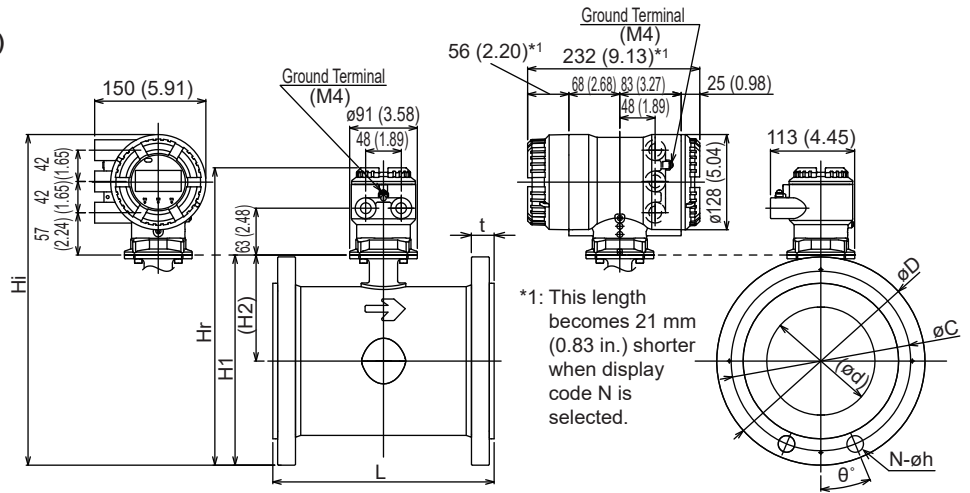
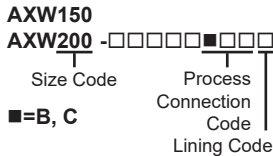
● Flange (PTFE, Polyurethane Rubber, Natural Hard Rubber, Natural Soft Rubber Lining)

Unit: mm (approx. in.)
Remote Sensor

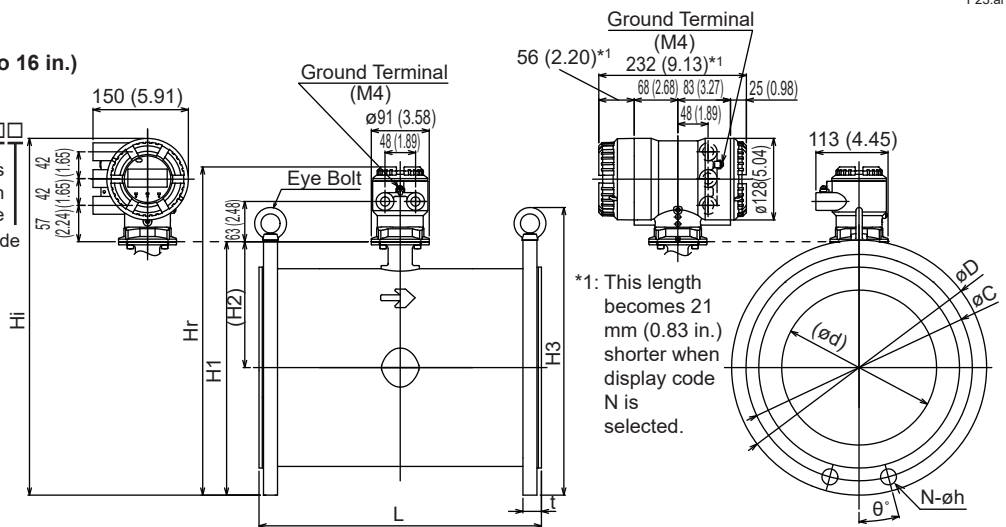
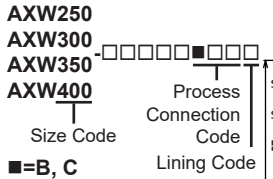
Size 25 to 125 mm (1 to 5 in.)



Size 150 to 200 mm (6 to 8 in.)



Size 250 to 400 mm (10 to 16 in.)



○ Flange, ASME Class 150

Unit: mm (approx. in.)

| Model | Process | | BA1 | | | | | | | | | | | | | | | | | | | | | | | | |
|--|---------------------------------------|-----|----------------|----------------|----------------|----------------|----------------|----------------|-----------------|-----------------|-----------------|-----------------|-----------------|-----------------|-----------------|-----------------|-----------------|-----------------|-----------------|-----------------|-----------------|-----------------|-----------------|----------------|----------------|----------------|----------------|
| | Connection Code | | CA1 | | | | | | | | | | | | | | | | | | | | | | | | |
| | Size Code | | 025 | 025 | 032 | 032 | 040 | 040 | 050 | 050 | 050 | 050 | 065 | 065 | 080 | 080 | 100 | 100 | 100 | 100 | 125 | 125 | 125 | 125 | | | |
| Size | | (1) | (1) | (1.25) | (1.25) | (1.5) | (1.5) | (2) | (2) | (2) | (2) | (2.5) | (2.5) | (3) | (3) | (4) | (4) | (4) | (4) | (5) | (5) | (5) | (5) | | | | |
| Lining Code | | F | U | F | U | F | U | F | U | H, D | F | U, H, D | F | U, H, D | F | U | H | D | F | U | H | D | | | | | |
| Remote Sensor | Lay Length (*1) (*5) | L | 198 (7.78) | 198 (7.78) | 198 (7.78) | 198 (7.78) | 198 (7.78) | 198 (7.78) | 198 (7.78) | 198 (7.78) | 198 (7.78) | 198 (7.78) | 198 (7.78) | 198 (7.78) | 198 (7.78) | 248 (9.74) | 248 (9.74) | 248 (9.74) | 248 (9.74) | 248 (9.74) | 248 (9.74) | 248 (9.74) | 248 (9.74) | | | | |
| | Flange Outer Diameter | øD | 110 (4.33) | 110 (4.33) | 115 (4.53) | 115 (4.53) | 125 (4.92) | 125 (4.92) | 150 (5.91) | 150 (5.91) | 150 (5.91) | 180 (7.09) | 180 (7.09) | 180 (7.09) | 180 (7.09) | 190 (7.48) | 190 (7.48) | 190 (7.48) | 190 (7.48) | 230 (9.06) | 230 (9.06) | 230 (9.06) | 230 (9.06) | 255 (10.04) | 255 (10.04) | 255 (10.04) | 255 (10.04) |
| | Flange Thickness (incl. lining flare) | t | 20.2 (0.80) | 18.7 (0.74) | 20.8 (0.82) | 19.3 (0.76) | 22.4 (0.88) | 20.9 (0.82) | 24.0 (0.94) | 22.5 (0.89) | 22.5 (0.89) | 27.2 (1.07) | 25.7 (1.01) | 28.8 (1.13) | 27.3 (1.07) | 28.8 (1.13) | 27.3 (1.07) | 27.3 (1.07) | 27.3 (1.07) | 28.8 (1.13) | 27.3 (1.07) | 27.3 (1.07) | 27.3 (1.07) | 28.8 (1.13) | 27.3 (1.07) | 27.3 (1.07) | 27.3 (1.07) |
| | Lining Inner Diameter | ød | 26 (1.02) | 24 (0.93) | 31 (1.22) | 29 (1.13) | 39 (1.53) | 37 (1.44) | 52 (2.03) | 49 (1.94) | 50 (1.95) | 63 (2.49) | 61 (2.40) | 75 (2.96) | 73 (2.87) | 100 (3.95) | 97 (3.82) | 98 (3.87) | 96 (3.79) | 125 (4.91) | 121 (4.76) | 123 (4.83) | 121 (4.75) | | | | |
| | Bolt Circle Diameter | øC | 79.4 (3.13) | 79.4 (3.13) | 88.9 (3.50) | 88.9 (3.50) | 98.4 (3.87) | 98.4 (3.87) | 120.7 (4.75) | 120.7 (4.75) | 120.7 (4.75) | 139.7 (5.50) | 139.7 (5.50) | 152.4 (6.00) | 152.4 (6.00) | 190.5 (7.50) | 190.5 (7.50) | 190.5 (7.50) | 190.5 (7.50) | 215.9 (8.50) | 215.9 (8.50) | 215.9 (8.50) | 215.9 (8.50) | | | | |
| | Bolt Hole Interval | ø* | 45 | 45 | 45 | 45 | 45 | 45 | 45 | 45 | 45 | 45 | 45 | 45 | 45 | 45 | 22.5 | 22.5 | 22.5 | 22.5 | 22.5 | 22.5 | 22.5 | 22.5 | | | |
| | Bolt Hole Diameter | øh | 15.9 (0.63) | 15.9 (0.63) | 15.9 (0.63) | 15.9 (0.63) | 15.9 (0.63) | 15.9 (0.63) | 19.1 (0.75) | 19.1 (0.75) | 19.1 (0.75) | 19.1 (0.75) | 19.1 (0.75) | 19.1 (0.75) | 19.1 (0.75) | 19.1 (0.75) | 19.1 (0.75) | 19.1 (0.75) | 19.1 (0.75) | 22.2 (0.87) | 22.2 (0.87) | 22.2 (0.87) | 22.2 (0.87) | | | | |
| | Number of Bolt Holes | N | 4 | 4 | 4 | 4 | 4 | 4 | 4 | 4 | 4 | 4 | 4 | 4 | 4 | 4 | 8 | 8 | 8 | 8 | 8 | 8 | 8 | 8 | | | |
| | Height | H1 | 135 (5.31) | 135 (5.31) | 144 (5.67) | 144 (5.67) | 149 (5.87) | 149 (5.87) | 174 (6.85) | 174 (6.85) | 174 (6.85) | 198 (7.80) | 198 (7.80) | 209 (8.23) | 209 (8.23) | 239 (9.41) | 239 (9.41) | 239 (9.41) | 239 (9.41) | 266 (10.47) | 266 (10.47) | 266 (10.47) | 266 (10.47) | | | | |
| | Height | H2 | 80 (3.15) | 80 (3.15) | 86 (3.39) | 86 (3.39) | 86 (3.39) | 86 (3.39) | 99 (3.90) | 99 (3.90) | 99 (3.90) | 108 (4.25) | 108 (4.25) | 114 (4.49) | 114 (4.49) | 124 (4.88) | 124 (4.88) | 124 (4.88) | 124 (4.88) | 138 (5.43) | 138 (5.43) | 138 (5.43) | 138 (5.43) | | | | |
| Remote Sensor | Maximum Height | Hr | 252 (9.92) | 252 (9.92) | 261 (10.28) | 261 (10.28) | 266 (10.47) | 266 (10.47) | 291 (11.46) | 291 (11.46) | 291 (11.46) | 315 (12.40) | 315 (12.40) | 326 (12.83) | 326 (12.83) | 356 (14.02) | 356 (14.02) | 356 (14.02) | 356 (14.02) | 383 (15.08) | 383 (15.08) | 383 (15.08) | 383 (15.08) | | | | |
| | Approx. Weight, Unit: kg (lb) (*2) | | 4.2 (9.3) | 4.2 (9.3) | 4.8 (10.6) | 4.8 (10.6) | 5.5 (12.1) | 5.5 (12.1) | 7.4 (16.3) | 7.4 (16.3) | 7.4 (16.3) | 10.8 (23.8) | 10.8 (23.8) | 13.0 (28.7) | 13.0 (28.7) | 18.2 (40.1) | 18.2 (40.1) | 18.2 (40.1) | 18.2 (40.1) | 22.8 (50.3) | 22.8 (50.3) | 22.8 (50.3) | 22.8 (50.3) | | | | |
| Integral Flowmeter | Maximum Height | Hi | 297 (11.69) | 297 (11.69) | 306 (12.05) | 306 (12.05) | 311 (12.24) | 311 (12.24) | 336 (13.23) | 336 (13.23) | 336 (13.23) | 360 (14.17) | 360 (14.17) | 371 (14.61) | 371 (14.61) | 401 (15.79) | 401 (15.79) | 401 (15.79) | 401 (15.79) | 428 (16.85) | 428 (16.85) | 428 (16.85) | 428 (16.85) | | | | |
| | Approx. Weight, Unit: kg (lb) | | 6.7 (14.8) | 6.7 (14.8) | 7.3 (16.1) | 7.3 (16.1) | 8.0 (17.6) | 8.0 (17.6) | 9.9 (21.8) | 9.9 (21.8) | 9.9 (21.8) | 13.7 (30.2) | 13.7 (30.2) | 15.5 (34.2) | 15.5 (34.2) | 20.7 (45.6) | 20.7 (45.6) | 20.7 (45.6) | 20.7 (45.6) | 25.4 (56.0) | 25.4 (56.0) | 25.4 (56.0) | 25.4 (56.0) | | | | |
| Grounding rings thin type (GRL, GRH, GRV) (*1) (*3) | | | - | +2 (+0.08) | - | +2 (+0.08) | - | +2 (+0.08) | - | +2 (+0.08) | - | +2 (+0.08) | - | +2 (+0.08) | - | +2 (+0.08) | - | +2 (+0.08) | - | +2 (+0.08) | - | +2 (+0.08) | - | +2 (+0.08) | | | |
| Grounding rings thick type (GRN, GRJ, GRW) (*1) (*3) (*4) | | | +6 (+0.24) | +6 (+0.24) | +6 (+0.24) | +6 (+0.24) | +6 (+0.24) | +6 (+0.24) | +6 (+0.24) | +6 (+0.24) | +6 (+0.24) | +6 (+0.24) | +6 (+0.24) | +6 (+0.24) | +6 (+0.24) | +6 (+0.24) | +6 (+0.24) | +6 (+0.24) | +6 (+0.24) | +6 (+0.24) | +6 (+0.24) | +6 (+0.24) | +6 (+0.24) | +6 (+0.24) | | | |
| Grounding rings thick type (GRN, GRJ) with gaskets (GA, GC, GD) (*1) | | | +10 (+0.39) | - | +10 (+0.39) | - | +10 (+0.39) | - | +10 (+0.39) | - | +10 (+0.39) | - | +10 (+0.39) | - | +10 (+0.39) | - | +10 (+0.39) | - | +10 (+0.39) | - | +10 (+0.39) | - | +10 (+0.39) | | | | |

- *1: Add the value above (which is the total of both ends) to the lay length "L" when selecting optional grounding rings with/without gaskets. Also, the thickness of customer supplied gaskets should be added for getting the total lay length.
- *2: When submersible use or optional code DHC is selected, waterproof glands with union joints and cables are attached. When the cable length is 30-meters, add 9.5 kg (20.9 lb) to the weight in the table.
- *3: These grounding rings (GRL, GRH, GRV, GRW) are not applied to lining code F nor H but for U and D.
- *4: When applying these grounding rings (GRN, GRJ) to lining code H, gaskets supplied by customer are necessary. For the sizes in this table, recommended thickness of the gasket is 2 mm (0.08 in.) per one, bringing 4 mm (0.16 in.) per two to be additionally added for getting the total lay length.
- *5: The limit deviation of the lay length "L" is as follows.
 - Size 25 to 200 mm (1 to 8 in.): 0/-3 mm

○ Flange, ASME Class 150 (continued)

Unit: mm (approx. in.)

| Model | Process Connection Code | | BA1 | | | | | | | | | | | | | | | | | | |
|---|---------------------------------------|--------|-----------------|-----------------|-----------------|------------------|------------------|------------------|------------------|------------------|------------------|------------------|------------------|------------------|------------------|------------------|------------------|------------------|------------------|------------------|----------------|
| | | | CA1 | | | | | | | | | | | | | | | | | | |
| | Size Code | | 150 | 150 | 150 | 200 | 200 | 200 | 250 | 250 | 250 | 300 | 300 | 300 | 350 | 350 | 350 | 400 | 400 | 400 | |
| Size | | (6) | (6) | (6) | (8) | (8) | (8) | (10) | (10) | (10) | (12) | (12) | (12) | (14) | (14) | (14) | (16) | (16) | (16) | | |
| Lining Code | | F | U | H, D | F | U | H, D | F | U | H, D | F | U | H, D | F | U | H, D | F | U | H, D | | |
| Remote Sensor | Lay Length (*1) (*5) | L | 299 (11.75) | 299 (11.75) | 299 (11.75) | 349 (13.72) | 349 (13.72) | 349 (13.72) | 448 (17.62) | 448 (17.62) | 448 (17.62) | 498 (19.59) | 498 (19.59) | 498 (19.59) | 548 (21.56) | 548 (21.56) | 548 (21.56) | 598 (23.52) | 598 (23.52) | 598 (23.52) | |
| | Flange Outer Diameter | øD | 280 (11.02) | 280 (11.02) | 280 (11.02) | 345 (13.58) | 345 (13.58) | 345 (13.58) | 405 (15.94) | 405 (15.94) | 405 (15.94) | 485 (19.09) | 485 (19.09) | 485 (19.09) | 535 (21.06) | 535 (21.06) | 535 (21.06) | 595 (23.43) | 595 (23.43) | 595 (23.43) | |
| | Flange Thickness (incl. lining flare) | t | 30.9 (1.22) | 30.9 (1.22) | 30.9 (1.22) | 34.0 (1.34) | 34.0 (1.34) | 34.0 (1.34) | 36.6 (1.44) | 36.6 (1.44) | 36.6 (1.44) | 38.2 (1.50) | 38.2 (1.50) | 38.2 (1.50) | 41.9 (1.65) | 41.9 (1.65) | 41.9 (1.65) | 43.5 (1.71) | 43.5 (1.71) | 43.5 (1.71) | |
| | Lining Inner Diameter | ød | 149 (5.71) | 145 (5.71) | 147 (5.80) | 200 (7.89) | 194 (7.63) | 198 (7.81) | 248 (9.78) | 242 (9.53) | 247 (9.74) | 300 (11.79) | 292 (11.48) | 299 (11.75) | 330 (12.97) | 323 (12.70) | 330 (12.97) | 381 (14.98) | 373 (14.67) | 381 (14.98) | |
| | Bolt | øC | 241.3 (9.50) | 241.3 (9.50) | 241.3 (9.50) | 298.5 (11.75) | 298.5 (11.75) | 298.5 (11.75) | 362.0 (14.25) | 362.0 (14.25) | 362.0 (14.25) | 431.8 (17.00) | 431.8 (17.00) | 431.8 (17.00) | 476.3 (18.75) | 476.3 (18.75) | 476.3 (18.75) | 539.8 (21.25) | 539.8 (21.25) | 539.8 (21.25) | |
| | Circle Diameter | øC | 241.3 (9.50) | 241.3 (9.50) | 241.3 (9.50) | 298.5 (11.75) | 298.5 (11.75) | 298.5 (11.75) | 362.0 (14.25) | 362.0 (14.25) | 362.0 (14.25) | 431.8 (17.00) | 431.8 (17.00) | 431.8 (17.00) | 476.3 (18.75) | 476.3 (18.75) | 476.3 (18.75) | 539.8 (21.25) | 539.8 (21.25) | 539.8 (21.25) | |
| | Bolt Hole Interval | θ° | 22.5 (0.88) | 22.5 (0.88) | 22.5 (0.88) | 22.5 (0.88) | 22.5 (0.88) | 22.5 (0.88) | 15 (0.59) | 15 (0.59) | 15 (0.59) | 15 (0.59) | 15 (0.59) | 15 (0.59) | 15 (0.59) | 15 (0.59) | 15 (0.59) | 11.25 (0.44) | 11.25 (0.44) | 11.25 (0.44) | |
| | Bolt Hole Diameter | øh | 22.3 (0.88) | 22.3 (0.88) | 22.3 (0.88) | 22.3 (0.88) | 22.3 (0.88) | 22.3 (0.88) | 25.4 (1.00) | 25.4 (1.00) | 25.4 (1.00) | 25.4 (1.00) | 25.4 (1.00) | 25.4 (1.00) | 28.6 (1.13) | 28.6 (1.13) | 28.6 (1.13) | 28.6 (1.13) | 28.6 (1.13) | 28.6 (1.13) | |
| | Number of Bolt Holes | N | 8 | 8 | 8 | 8 | 8 | 8 | 12 | 12 | 12 | 12 | 12 | 12 | 12 | 12 | 12 | 12 | 16 | 16 | 16 |
| | Integral Flowmeter | Height | H1 | 283 (11.12) | 283 (11.12) | 283 (11.12) | 340 (13.39) | 340 (13.39) | 340 (13.39) | 401 (15.78) | 401 (15.78) | 401 (15.78) | 465 (18.32) | 465 (18.32) | 465 (18.32) | 512 (20.14) | 512 (20.14) | 512 (20.14) | 569 (22.41) | 569 (22.41) | 569 (22.41) |
| Height | | H2 | 143 (5.61) | 143 (5.61) | 143 (5.61) | 168 (6.60) | 168 (6.60) | 168 (6.60) | 198 (7.81) | 198 (7.81) | 198 (7.81) | 223 (8.77) | 223 (8.77) | 223 (8.77) | 244 (9.61) | 244 (9.61) | 244 (9.61) | 272 (10.70) | 272 (10.70) | 272 (10.70) | |
| Height | | H3 | - | - | - | - | - | - | 456 (17.95) | 456 (17.95) | 456 (17.95) | 536 (21.10) | 536 (21.10) | 536 (21.10) | 595 (23.43) | 595 (23.43) | 595 (23.43) | 655 (25.79) | 655 (25.79) | 655 (25.79) | |
| Remote Sensor | Maximum Height | Hr | 400 (15.74) | 400 (15.74) | 400 (15.74) | 457 (18.01) | 457 (18.01) | 457 (18.01) | 518 (20.40) | 518 (20.40) | 518 (20.40) | 583 (22.94) | 583 (22.94) | 583 (22.94) | 629 (24.76) | 629 (24.76) | 629 (24.76) | 687 (27.03) | 687 (27.03) | 687 (27.03) | |
| | Approx. Weight, Unit: kg (lb) (*2) | | 30 (66.2) | 29 (64.0) | 29 (64.0) | 46 (101.6) | 46 (101.6) | 46 (101.6) | 74 (163.4) | 73 (161.2) | 73 (161.2) | 102 (225.2) | 101 (223.0) | 101 (220.8) | 128 (282.6) | 126 (278.2) | 126 (275.9) | 161 (355.4) | 160 (353.2) | 158 (348.8) | |
| Integral Flowmeter | Maximum Height | Hi | 445 (17.50) | 445 (17.50) | 445 (17.50) | 502 (19.77) | 502 (19.77) | 502 (19.77) | 563 (22.16) | 563 (22.16) | 563 (22.16) | 627 (24.69) | 627 (24.69) | 627 (24.69) | 674 (26.52) | 674 (26.52) | 674 (26.52) | 731 (28.79) | 731 (28.79) | 731 (28.79) | |
| | Approx. Weight, Unit: kg (lb) | | 32 (70.6) | 32 (70.6) | 32 (70.6) | 49 (108.2) | 48 (106.0) | 48 (106.0) | 76 (167.8) | 76 (167.8) | 75 (165.6) | 104 (229.6) | 104 (225.2) | 104 (225.2) | 130 (284.8) | 129 (282.6) | 128 (280.0) | 164 (362.0) | 163 (359.8) | 161 (355.4) | |
| Grounding rings thin type (GRL, GRH, GRV) (*1) (*3) | | | - | +2 (+0.08) | +2 (+0.08) | - | +2 (+0.08) | +2 (+0.08) | - | +4 (+0.16) | +4 (+0.16) | - | +4 (+0.16) | +4 (+0.16) | - | +4 (+0.16) | +4 (+0.16) | - | +4 (+0.16) | +4 (+0.16) | |
| Grounding rings thick type (GRN, GRJ, GRW) (*1) (*3) (*4) | | | +6 (+0.24) | +6 (+0.24) | +6 (+0.24) | +6 (+0.24) | +6 (+0.24) | +6 (+0.24) | +6 (+0.24) | +6 (+0.24) | +6 (+0.24) | +6 (+0.24) | +6 (+0.24) | +6 (+0.24) | +6 (+0.24) | +6 (+0.24) | +6 (+0.24) | +6 (+0.24) | +6 (+0.24) | +6 (+0.24) | |

- *1: Add the value above (which is the total of both ends) to the lay length "L" when selecting optional grounding rings with/without gaskets. Also, the thickness of customer supplied gaskets should be added for getting the total lay length.
- *2: When submersible use or optional code DHC is selected, waterproof glands with union joints and cables are attached. When the cable length is 30-meters, add 9.5 kg (20.9 lb) to the weight in the table.
- *3: These grounding rings (GRL, GRH, GRV, GRW) are not applied to lining code F nor H but for U and D.
- *4: When applying these grounding rings (GRN, GRJ) to lining code F or H, gaskets supplied by customer are necessary. For the sizes in this table, recommended thickness of the gasket is 3 to 5 mm (0.12 to 0.20 in.) per one, bringing 6 to 10 mm (0.24 to 0.39 in.) per two to be additionally added for getting the total lay length.
- *5: The limit deviation of the lay length "L" is as follows.
 - Size 25 to 200 mm (1 to 8 in.): 0/-3 mm
 - Size 250 to 400 mm (10 to 16 in.): 0/-5 mm

○ Flange, ASME Class 300

Unit: mm (approx. in.)

| Model | Process Connection Code | BA2 | | | | | | | | | | | | | | | | | | | |
|--|---|-------------|-------------|-------------|-------------|--------------|--------------|--------------|--------------|--------------|--------------|--------------|--------------|--------------|--------------|--------------|--------------|--------------|--------------|--------------|--------------|
| | | CA2 | | | | | | | | | | | | | | | | | | | |
| | | 025 | 025 | 032 | 032 | 040 | 040 | 050 | 050 | 050 | 065 | 065 | 080 | 080 | 100 | 100 | 100 | 100 | 125 | 125 | 125 |
| Size | (1) | (1) | (1.25) | (1.25) | (1.5) | (1.5) | (2) | (2) | (2) | (2.5) | (2.5) | (3) | (3) | (4) | (4) | (4) | (4) | (5) | (5) | (5) | (5) |
| Size | F | U | F | U | F | U | F | U | H, D | F | U, H, D | F | U, H, D | F | U | H | D | F | U | H | D |
| Lining Code | F | U | F | U | F | U | F | U | H, D | F | U, H, D | F | U, H, D | F | U | H | D | F | U | H | D |
| Remote Sensor | Lay Length (*1) (*5) L | 198 (7.80) | 198 (7.78) | 198 (7.80) | 198 (7.78) | 198 (7.80) | 198 (7.78) | 198 (7.80) | 198 (7.78) | 198 (7.78) | 198 (7.78) | 198 (7.78) | 198 (7.78) | 198 (7.78) | 248 (9.74) | 248 (9.74) | 248 (9.74) | 248 (9.74) | 248 (9.74) | 248 (9.74) | 248 (9.74) |
| | Flange Outer Diameter øD | 125 (4.92) | 125 (4.92) | 135 (5.31) | 135 (5.31) | 155 (6.10) | 155 (6.10) | 165 (6.50) | 165 (6.50) | 165 (6.50) | 190 (7.48) | 190 (7.48) | 210 (8.27) | 210 (8.27) | 255 (10.04) | 255 (10.04) | 255 (10.04) | 255 (10.04) | 280 (11.02) | 280 (11.02) | 280 (11.02) |
| | Flange Thickness (incl. lining flare) t | 23.4 (0.92) | 21.9 (0.86) | 24.0 (0.94) | 22.5 (0.89) | 25.6 (1.01) | 24.1 (0.95) | 27.2 (1.07) | 25.7 (1.01) | 25.7 (1.01) | 30.4 (1.20) | 28.9 (1.14) | 33.5 (1.32) | 32.0 (1.26) | 36.7 (1.44) | 35.2 (1.39) | 35.2 (1.39) | 35.2 (1.39) | 39.9 (1.57) | 38.4 (1.51) | 38.4 (1.51) |
| | Lining Inner Diameter ød | 26 (1.02) | 24 (0.93) | 31 (1.22) | 29 (1.13) | 39 (1.53) | 37 (1.44) | 52 (2.03) | 49 (1.94) | 50 (1.95) | 63 (2.49) | 61 (2.40) | 75 (2.96) | 73 (2.87) | 100 (3.95) | 97 (3.82) | 98 (3.87) | 96 (3.79) | 125 (4.91) | 121 (4.76) | 123 (4.83) |
| | Bolt Circle Diameter øC | 88.9 (3.50) | 88.9 (3.50) | 98.4 (3.87) | 98.4 (3.87) | 114.3 (4.50) | 114.3 (4.50) | 127.0 (5.00) | 127.0 (5.00) | 127.0 (5.00) | 149.2 (5.87) | 149.2 (5.87) | 168.3 (6.63) | 168.3 (6.63) | 200.0 (7.87) | 200.0 (7.87) | 200.0 (7.87) | 200.0 (7.87) | 235.0 (9.25) | 235.0 (9.25) | 235.0 (9.25) |
| | Bolt Hole Interval ø° | 45 (1.77) | 45 (1.77) | 45 (1.77) | 45 (1.77) | 45 (1.77) | 45 (1.77) | 22.5 (0.89) | 22.5 (0.89) | 22.5 (0.89) | 22.5 (0.89) | 22.5 (0.89) | 22.5 (0.89) | 22.5 (0.89) | 22.5 (0.89) | 22.5 (0.89) | 22.5 (0.89) | 22.5 (0.89) | 22.5 (0.89) | 22.5 (0.89) | 22.5 (0.89) |
| | Bolt Hole Diameter øh | 19.1 (0.75) | 19.1 (0.75) | 19.1 (0.75) | 19.1 (0.75) | 22.2 (0.87) | 22.2 (0.87) | 19.1 (0.75) | 19.1 (0.75) | 19.1 (0.75) | 22.2 (0.87) | 22.2 (0.87) | 22.2 (0.87) | 22.2 (0.87) | 22.2 (0.87) | 22.2 (0.87) | 22.2 (0.87) | 22.2 (0.87) | 22.2 (0.87) | 22.2 (0.87) | 22.2 (0.87) |
| | Number of Bolt Holes N | 4 | 4 | 4 | 4 | 4 | 4 | 8 | 8 | 8 | 8 | 8 | 8 | 8 | 8 | 8 | 8 | 8 | 8 | 8 | 8 |
| | Height H1 | 143 (5.63) | 143 (5.63) | 154 (6.06) | 154 (6.06) | 164 (6.46) | 164 (6.46) | 182 (7.17) | 182 (7.17) | 182 (7.17) | 203 (7.99) | 203 (7.99) | 219 (8.62) | 219 (8.62) | 252 (9.92) | 252 (9.92) | 252 (9.92) | 252 (9.92) | 278 (10.94) | 278 (10.94) | 278 (10.94) |
| | Height H2 | 80 (3.15) | 80 (3.15) | 86 (3.39) | 86 (3.39) | 86 (3.39) | 86 (3.39) | 99 (3.90) | 99 (3.90) | 99 (3.90) | 108 (4.25) | 108 (4.25) | 114 (4.49) | 114 (4.49) | 124 (4.88) | 124 (4.88) | 124 (4.88) | 124 (4.88) | 138 (5.43) | 138 (5.43) | 138 (5.43) |
| Remote Sensor | Maximum Height Hr | 260 (10.24) | 260 (10.24) | 271 (10.67) | 271 (10.67) | 281 (11.06) | 281 (11.06) | 299 (11.77) | 299 (11.77) | 299 (11.77) | 320 (12.60) | 320 (12.60) | 336 (13.23) | 336 (13.23) | 369 (14.53) | 369 (14.53) | 369 (14.53) | 369 (14.53) | 395 (15.55) | 395 (15.55) | 395 (15.55) |
| | Approx. Weight, Unit: kg (lb) (*2) | 5.2 (11.5) | 5.2 (11.5) | 6.2 (13.7) | 6.2 (13.7) | 8.0 (17.6) | 8.0 (17.6) | 9.3 (20.5) | 9.3 (20.5) | 9.3 (20.5) | 13.2 (29.1) | 13.2 (29.1) | 17.2 (37.9) | 17.2 (37.9) | 26.7 (58.9) | 26.7 (58.9) | 26.7 (58.9) | 26.7 (58.9) | 35.5 (78.3) | 35.5 (78.3) | 35.5 (78.3) |
| Integral Flowmeter | Maximum Height Hi | 305 (12.01) | 305 (12.01) | 316 (12.44) | 316 (12.44) | 326 (12.83) | 326 (12.83) | 344 (13.54) | 344 (13.54) | 344 (13.54) | 365 (14.37) | 365 (14.37) | 381 (15.00) | 381 (15.00) | 414 (16.30) | 414 (16.30) | 414 (16.30) | 414 (16.30) | 440 (17.32) | 440 (17.32) | 440 (17.32) |
| | Approx. Weight, Unit: kg (lb) | 7.8 (17.2) | 7.8 (17.2) | 8.8 (19.4) | 8.8 (19.4) | 10.5 (23.2) | 10.5 (23.2) | 11.8 (26.0) | 11.8 (26.0) | 11.8 (26.0) | 15.7 (34.6) | 15.7 (34.6) | 19.7 (43.4) | 19.7 (43.4) | 29.2 (64.4) | 29.2 (64.4) | 29.2 (64.4) | 29.2 (64.4) | 38.0 (83.8) | 38.0 (83.8) | 38.0 (83.8) |
| Grounding rings thin type (GRL, GRH, GRV) (*1) (*3) | | - | +2 (+0.08) | - | +2 (+0.08) | - | +2 (+0.08) | - | +2 (+0.08) | +2 (+0.08) | - | +2 (+0.08) | - | +2 (+0.08) | - | +2 (+0.08) | - | +2 (+0.08) | - | +2 (+0.08) | |
| Grounding rings thick type (GRN, GRJ, GRW) (*1) (*3) (*4) | | +6 (+0.24) | +6 (+0.24) | +6 (+0.24) | +6 (+0.24) | +6 (+0.24) | +6 (+0.24) | +6 (+0.24) | +6 (+0.24) | +6 (+0.24) | +6 (+0.24) | +6 (+0.24) | +6 (+0.24) | +6 (+0.24) | +6 (+0.24) | +6 (+0.24) | +6 (+0.24) | +6 (+0.24) | +6 (+0.24) | +6 (+0.24) | |
| Grounding rings thick type (GRN, GRJ) with gaskets (GA, GC, GD) (*1) | | +10 (+0.39) | - | +10 (+0.39) | - | +10 (+0.39) | - | +10 (+0.39) | - | +10 (+0.39) | - | +10 (+0.39) | - | +10 (+0.39) | - | +10 (+0.39) | - | +10 (+0.39) | - | +10 (+0.39) | |

- *1: Add the value above (which is the total of both ends) to the lay length "L" when selecting optional grounding rings with/without gaskets. Also, the thickness of customer supplied gaskets should be added for getting the total lay length.
- *2: When submersible use or optional code DHC is selected, waterproof glands with union joints and cables are attached. When the cable length is 30-meters, add 9.5 kg (20.9 lb) to the weight in the table.
- *3: These grounding rings (GRL, GRH, GRV, GRW) are not applied to lining code F nor H but for U and D.
- *4: When applying these grounding rings (GRN, GRJ) to lining code H, gaskets supplied by customer are necessary. For the sizes in this table, recommended thickness of the gasket is 2 mm (0.08 in.) per one, bringing 4 mm (0.16 in.) per two to be additionally added for getting the total lay length.
- *5: The limit deviation of the lay length "L" is as follows.
 - Size 25 to 200 mm (1 to 8 in.): 0/-3 mm

○ Flange, ASME Class 300 (continued)

Unit: mm (approx. in.)

| Model | Process Connection Code | | BA2 CA2 | | | | | | | | | | | |
|---|---------------------------------------|-----------------------|------------------|------------------|------------------|------------------|------------------|------------------|------------------|------------------|------------------|------------------|------------------|------------------|
| | | | 150 | | | 200 | | | 250 | | 300 | | 300 | |
| | Size Code | 150 | 150 | 150 | 200 | 200 | 200 | 250 | 250 | 250 | 300 | 300 | 300 | |
| Size | (6) | (6) | (6) | (8) | (8) | (8) | (10) | (10) | (10) | (12) | (12) | (12) | (12) | |
| Lining Code | F | U | H, D | F | U | H, D | F | U | H, D | F | U | H, D | F | |
| Remote Sensor | Lay Length (*1) (*5) | L | 299 (11.75) | 299 (11.75) | 299 (11.75) | 349 (13.72) | 349 (13.72) | 349 (13.72) | 448 (17.62) | 448 (17.62) | 448 (17.62) | 498 (19.59) | 498 (19.59) | 498 (19.59) |
| | | Flange Outer Diameter | øD | 320 (12.60) | 320 (12.60) | 320 (12.60) | 380 (14.96) | 380 (14.96) | 380 (14.96) | 445 (17.52) | 445 (17.52) | 445 (17.52) | 520 (20.47) | 520 (20.47) |
| | Flange Thickness (incl. lining flare) | t | 42.0 (1.65) | 42.0 (1.65) | 42.0 (1.65) | 46.7 (1.84) | 46.7 (1.84) | 46.7 (1.84) | 54.1 (2.13) | 54.1 (2.13) | 54.1 (2.13) | 57.3 (2.26) | 57.3 (2.26) | 57.3 (2.26) |
| | Lining Inner Diameter | ød | 149 (5.87) | 145 (5.71) | 147 (5.80) | 200 (7.89) | 194 (7.63) | 198 (7.81) | 248 (9.78) | 242 (9.53) | 247 (9.74) | 300 (11.79) | 292 (11.48) | 299 (11.75) |
| | Bolt | øC | 269.9 (10.63) | 269.9 (10.63) | 269.9 (10.63) | 330.2 (13.00) | 330.2 (13.00) | 330.2 (13.00) | 387.4 (15.25) | 387.4 (15.25) | 387.4 (15.25) | 450.8 (17.75) | 450.8 (17.75) | 450.8 (17.75) |
| | Bolt Hole Interval | ø* | 15 | 15 | 15 | 15 | 15 | 15 | 11.25 | 11.25 | 11.25 | 11.25 | 11.25 | 11.25 |
| | Bolt Hole Diameter | øh | 22.3 (0.88) | 22.3 (0.88) | 22.3 (0.88) | 25.4 (1.00) | 25.4 (1.00) | 25.4 (1.00) | 28.6 (1.13) | 28.6 (1.13) | 28.6 (1.13) | 31.8 (1.25) | 31.8 (1.25) | 31.8 (1.25) |
| | Number of Bolt Holes | N | 12 | 12 | 12 | 12 | 12 | 12 | 16 | 16 | 16 | 16 | 16 | 16 |
| | Height | H1 | 303 (11.91) | 303 (11.91) | 303 (11.91) | 358 (14.08) | 358 (14.08) | 358 (14.08) | 421 (16.57) | 421 (16.57) | 421 (16.57) | 483 (19.01) | 483 (19.01) | 483 (19.01) |
| | Height | H2 | 143 (5.61) | 143 (5.61) | 143 (5.61) | 168 (6.60) | 168 (6.60) | 168 (6.60) | 198 (7.81) | 198 (7.81) | 198 (7.81) | 223 (8.77) | 223 (8.77) | 223 (8.77) |
| Height | H3 | - | - | - | - | - | - | 496 (19.53) | 496 (19.53) | 496 (19.53) | 571 (22.48) | 571 (22.48) | 571 (22.48) | |
| Remote Sensor | Maximum Height | Hr | 420 (16.53) | 420 (16.53) | 420 (16.53) | 475 (18.70) | 475 (18.70) | 475 (18.70) | 538 (21.19) | 538 (21.19) | 538 (21.19) | 600 (23.62) | 600 (23.62) | 600 (23.62) |
| | Approx. Weight, Unit: kg (lb) (*2) | | 46 (101.6) | 45 (99.3) | 45 (99.3) | 68 (150.1) | 67 (147.9) | 67 (147.9) | 106 (234.0) | 106 (234.0) | 105 (231.8) | 144 (317.9) | 143 (315.7) | 143 (315.7) |
| Integral Flowmeter | Maximum Height | Hi | 465 (18.29) | 465 (18.29) | 465 (18.29) | 520 (20.46) | 520 (20.46) | 520 (20.46) | 583 (22.95) | 583 (22.95) | 583 (22.95) | 645 (25.38) | 645 (25.38) | 645 (25.38) |
| | Approx. Weight, Unit: kg (lb) | | 48 (106.0) | 48 (106.0) | 48 (106.0) | 70 (154.5) | 69 (152.3) | 69 (152.3) | 109 (240.6) | 108 (238.4) | 108 (238.4) | 147 (324.5) | 146 (322.3) | 145 (320.1) |
| Grounding rings thin type (GRL, GRH, GRV) (*1) (*3) | | | - | +2 (+0.08) | +2 (+0.08) | - | +2 (+0.08) | +2 (+0.08) | - | +4 (+0.16) | +4 (+0.16) | - | +4 (+0.16) | +4 (+0.16) |
| Grounding rings thick type (GRN, GRJ, GRW) (*1) (*3) (*4) | | | +6 (+0.24) | +6 (+0.24) | +6 (+0.24) | +6 (+0.24) | +6 (+0.24) | +6 (+0.24) | +6 (+0.24) | +6 (+0.24) | +6 (+0.24) | +6 (+0.24) | +6 (+0.24) | +6 (+0.24) |

- *1: Add the value above (which is the total of both ends) to the lay length "L" when selecting optional grounding rings with/without gaskets. Also, the thickness of customer supplied gaskets should be added for getting the total lay length.
- *2: When submersible use or optional code DHC is selected, waterproof glands with union joints and cables are attached. When the cable length is 30-meters, add 9.5 kg (20.9 lb) to the weight in the table.
- *3: These grounding rings (GRL, GRH, GRV, GRW) are not applied to lining code F nor H but for U and D.
- *4: When applying these grounding rings (GRN, GRJ) to lining code F or H, gaskets supplied by customer are necessary. For the sizes in this table, recommended thickness of the gasket is 3 to 5 mm (0.12 to 0.20 in.) per one, bringing 6 to 10 mm (0.24 to 0.39 in.) per two to be additionally added for getting the total lay length.
- *5: The limit deviation of the lay length "L" is as follows.
 - Size 25 to 200 mm (1 to 8 in.): 0/-3 mm
 - Size 250 to 400 mm (10 to 16 in.): 0/-5 mm

○ Flange, EN PN16, EN PN40

Unit: mm (approx. in.)

| Model | Process Connection Code | BE4 | | | | | | | | | | BE2 | | | | | | | | | | |
|--|---------------------------------------|-----|--------|--------|-------|-------|----------|------|------|-------|---------|----------|---------|------|------|------|----------|------|------|------|------|------|
| | | CE4 | | | | | CE2 (*5) | | | | | CE2 (*5) | | | | | CE2 (*5) | | | | | |
| | | 025 | 025 | 032 | 032 | 040 | 040 | 050 | 050 | 050 | 065 | 065 | 080 | 080 | 100 | 100 | 100 | 100 | 125 | 125 | 125 | 125 |
| Size | (1) | (1) | (1.25) | (1.25) | (1.5) | (1.5) | (2) | (2) | (2) | (2.5) | (2.5) | (3) | (3) | (4) | (4) | (4) | (4) | (5) | (5) | (5) | (5) | |
| Size Code | F | U | F | U | F | U | F | U | H, D | F | U, H, D | F | U, H, D | F | U | H | D | F | U | H | D | |
| Lining Code | | | | | | | | | | | | | | | | | | | | | | |
| Remote Sensor | Lay Length (*1) (*6) | L | 198 | 198 | 198 | 198 | 198 | 198 | 198 | 198 | 198 | 198 | 198 | 198 | 198 | 248 | 248 | 248 | 248 | 248 | 248 | 248 |
| | Flange Outer Diameter | øD | 115 | 115 | 140 | 140 | 150 | 150 | 165 | 165 | 165 | 185 | 185 | 200 | 200 | 220 | 220 | 220 | 220 | 250 | 250 | 250 |
| | Flange Thickness (incl. lining flare) | t | 23.5 | 22.0 | 22.5 | 21.0 | 22.5 | 21.0 | 24.5 | 23.0 | 23.0 | 22.5 | 21.0 | 24.5 | 23.0 | 24.5 | 23.0 | 23.0 | 23.0 | 26.5 | 25.0 | 25.0 |
| | Lining Inner Diameter | ød | 26 | 24 | 31 | 29 | 39 | 37 | 52 | 49 | 50 | 63 | 61 | 75 | 73 | 100 | 97 | 98 | 96 | 125 | 121 | 123 |
| | Bolt | øC | 85 | 85 | 100 | 100 | 110 | 110 | 125 | 125 | 125 | 145 | 145 | 160 | 160 | 180 | 180 | 180 | 180 | 210 | 210 | 210 |
| | Circle Diameter | ø° | 45 | 45 | 45 | 45 | 45 | 45 | 45 | 45 | 45 | 22.5 | 22.5 | 22.5 | 22.5 | 22.5 | 22.5 | 22.5 | 22.5 | 22.5 | 22.5 | 22.5 |
| | Bolt Hole Interval | øh | 14 | 14 | 18 | 18 | 18 | 18 | 18 | 18 | 18 | 18 | 18 | 18 | 18 | 18 | 18 | 18 | 18 | 18 | 18 | 18 |
| | Bolt Hole Diameter | N | 4 | 4 | 4 | 4 | 4 | 4 | 4 | 4 | 4 | 8 | 8 | 8 | 8 | 8 | 8 | 8 | 8 | 8 | 8 | 8 |
| | Number of Bolt Holes | H1 | 138 | 138 | 156 | 156 | 161 | 161 | 182 | 182 | 182 | 201 | 201 | 214 | 214 | 234 | 234 | 234 | 234 | 263 | 263 | 263 |
| | Height | H2 | 80 | 80 | 86 | 86 | 86 | 86 | 99 | 99 | 99 | 108 | 108 | 114 | 114 | 124 | 124 | 124 | 124 | 138 | 138 | 138 |
| Remote Sensor | Maximum Height | Hr | 255 | 255 | 273 | 273 | 278 | 278 | 299 | 299 | 299 | 318 | 318 | 331 | 331 | 351 | 351 | 351 | 351 | 380 | 380 | 380 |
| | Approx. Weight, Unit: kg (lb) (*2) | | 4.8 | 4.8 | 6.4 | 6.4 | 7.1 | 7.1 | 8.9 | 8.9 | 8.9 | 9.9 | 9.9 | 12.4 | 12.4 | 15.0 | 15.0 | 15.0 | 15.0 | 20.7 | 20.7 | 20.7 |
| Integral Flowmeter | Maximum Height | Hi | 300 | 300 | 318 | 318 | 323 | 323 | 344 | 344 | 344 | 363 | 363 | 376 | 376 | 396 | 396 | 396 | 396 | 425 | 425 | 425 |
| | Approx. Weight, Unit: kg (lb) | | 7.4 | 7.4 | 9.0 | 9.0 | 9.6 | 9.6 | 11.4 | 11.4 | 11.4 | 12.4 | 12.4 | 15.0 | 15.0 | 17.6 | 17.6 | 17.6 | 17.6 | 23.3 | 23.3 | 23.3 |
| Grounding rings thin type (GRL, GRH, GRV) (*1) (*3) | | | - | +2 | - | +2 | - | +2 | - | +2 | +2 | - | +2 | - | +2 | - | +2 | - | +2 | - | +2 | |
| Grounding rings thick type (GRN, GRJ, GRW) (*1) (*3) (*4) | | | +6 | +6 | +6 | +6 | +6 | +6 | +6 | +6 | +6 | +6 | +6 | +6 | +6 | +6 | +6 | +6 | +6 | +6 | +6 | |
| Grounding rings thick type (GRN, GRJ) with gaskets (GA, GC, GD) (*1) | | | +10 | +10 | +10 | +10 | +10 | +10 | +10 | +10 | +10 | +10 | +10 | +10 | +10 | +10 | +10 | +10 | +10 | +10 | +10 | |

- *1: Add the value above (which is the total of both ends) to the lay length "L" when selecting optional grounding rings with/without gaskets. Also, the thickness of customer supplied gaskets should be added for getting the total lay length.
- *2: When submersible use or optional code DHC is selected, waterproof glands with union joints and cables are attached. When the cable length is 30-meters, add 9.5 kg (20.9 lb) to the weight in the table.
- *3: These grounding rings (GRL, GRH, GRV, GRW) are not applied to lining code F nor H but for U and D.
- *4: When applying these grounding rings (GRN, GRJ) to lining code H, gaskets supplied by customer are necessary. For the sizes in this table, recommended thickness of the gasket is 2 mm (0.08 in.) per one, bringing 4 mm (0.16 in.) per two to be additionally added for getting the total lay length.
- *5: For process connection code CE2, lining code U (polyurethane rubber) is not available in sizes 65 to 125 mm (2.5 to 5 in.).
- *6: The limit deviation of the lay length "L" is as follows.
 - Size 25 to 200 mm (1 to 8 in.): 0/-3 mm

○ Flange, EN PN16, EN PN40 (continued)

Unit: mm (approx. in.)

| Model | Process Connection Code | | BE2 CE2 | | | | | | | | | | | |
|---|---------------------------------------|-----------------------|----------------|----------------|----------------|----------------|----------------|----------------|----------------|----------------|----------------|----------------|----------------|----------------|
| | | | 150 | | | 200 | | | 250 | | | 300 | | |
| | Size Code | 150 | 150 | 150 | 200 | 200 | 200 | 250 | 250 | 250 | 300 | 300 | 300 | |
| Size | (6) | (6) | (6) | (8) | (8) | (8) | (10) | (10) | (10) | (12) | (12) | (12) | | |
| Lining Code | F | U | H, D | F | U | H, D | F | U | H, D | F | U | H, D | | |
| Remote Sensor | Lay Length (*1) (*5) | L | 299 (11.75) | 299 (11.75) | 299 (11.75) | 349 (13.72) | 349 (13.72) | 349 (13.72) | 448 (17.62) | 448 (17.62) | 448 (17.62) | 498 (19.59) | 498 (19.59) | 498 (19.59) |
| | | Flange Outer Diameter | øD | 285 (11.22) | 285 (11.22) | 285 (11.22) | 340 (13.39) | 340 (13.39) | 340 (13.39) | 405 (15.94) | 405 (15.94) | 405 (15.94) | 460 (18.11) | 460 (18.11) |
| | Flange Thickness (incl. lining flare) | t | 26.0 (1.02) | 26.0 (1.02) | 26.0 (1.02) | 28.0 (1.10) | 28.0 (1.10) | 28.0 (1.10) | 31.0 (1.22) | 31.0 (1.22) | 31.0 (1.22) | 32.0 (1.26) | 32.0 (1.26) | 32.0 (1.26) |
| | Lining Inner Diameter | ød | 149 (5.87) | 145 (5.71) | 147 (5.80) | 200 (7.89) | 194 (7.63) | 198 (7.81) | 248 (9.78) | 242 (9.53) | 247 (9.74) | 300 (11.79) | 292 (11.48) | 299 (11.75) |
| | Bolt | øC | 240 (9.45) | 240 (9.45) | 240 (9.45) | 295 (11.61) | 295 (11.61) | 295 (11.61) | 355 (13.98) | 355 (13.98) | 355 (13.98) | 410 (16.14) | 410 (16.14) | 410 (16.14) |
| | Bolt Hole Interval | ø* | 22.5 (0.87) | 22.5 (0.87) | 22.5 (0.87) | 15 (0.59) | 15 (0.59) | 15 (0.59) | 15 (0.59) | 15 (0.59) | 15 (0.59) | 15 (0.59) | 15 (0.59) | 15 (0.59) |
| | Bolt Hole Diameter | øh | 22 (0.87) | 22 (0.87) | 22 (0.87) | 22 (0.87) | 22 (0.87) | 22 (0.87) | 26 (1.02) | 26 (1.02) | 26 (1.02) | 26 (1.02) | 26 (1.02) | 26 (1.02) |
| | Number of Bolt Holes | N | 8 | 8 | 8 | 12 | 12 | 12 | 12 | 12 | 12 | 12 | 12 | 12 |
| | Height | H1 | 285 (11.22) | 285 (11.22) | 285 (11.22) | 338 (13.29) | 338 (13.29) | 338 (13.29) | 401 (15.78) | 401 (15.78) | 401 (15.78) | 453 (17.82) | 453 (17.82) | 453 (17.82) |
| | Height | H2 | 143 (5.61) | 143 (5.61) | 143 (5.61) | 168 (6.60) | 168 (6.60) | 168 (6.60) | 198 (7.81) | 198 (7.81) | 198 (7.81) | 223 (8.77) | 223 (8.77) | 223 (8.77) |
| Height | H3 | - | - | - | - | - | - | 456 (17.95) | 456 (17.95) | 456 (17.95) | 511 (20.12) | 511 (20.12) | 511 (20.12) | |
| Remote Sensor | Maximum Height | Hr | 402 (15.84) | 402 (15.84) | 402 (15.84) | 455 (17.91) | 455 (17.91) | 455 (17.91) | 518 (20.40) | 518 (20.40) | 518 (20.40) | 570 (22.44) | 570 (22.44) | 570 (22.44) |
| | Approx. Weight, Unit: kg (lb) (*2) | | 27 (59.6) | 27 (59.6) | 27 (59.6) | 41 (90.5) | 40 (88.3) | 40 (88.3) | 68 (150.1) | 67 (147.9) | 66 (145.7) | 84 (185.4) | 83 (183.2) | 82 (181.0) |
| Integral Flowmeter | Maximum Height | Hi | 447 (17.60) | 447 (17.60) | 447 (17.60) | 500 (19.67) | 500 (19.67) | 500 (19.67) | 563 (22.16) | 563 (22.16) | 563 (22.16) | 615 (24.20) | 615 (24.20) | 615 (24.20) |
| | Approx. Weight, Unit: kg (lb) | | 30 (66.2) | 29 (64.0) | 30 (66.2) | 43 (94.9) | 43 (94.9) | 43 (94.9) | 70 (154.5) | 69 (152.3) | 69 (152.3) | 86 (189.9) | 86 (189.9) | 85 (187.6) |
| Grounding rings thin type (GRL, GRH, GRV) (*1) (*3) | | | - | +2 (+0.08) | +2 (+0.08) | - | +2 (+0.08) | +2 (+0.08) | - | +4 (+0.16) | +4 (+0.16) | - | +4 (+0.16) | +4 (+0.16) |
| Grounding rings thick type (GRN, GRJ, GRW) (*1) (*3) (*4) | | | +6 (+0.24) | +6 (+0.24) | +6 (+0.24) | +6 (+0.24) | +6 (+0.24) | +6 (+0.24) | +6 (+0.24) | +6 (+0.24) | +6 (+0.24) | +6 (+0.24) | +6 (+0.24) | +6 (+0.24) |

- *1: Add the value above (which is the total of both ends) to the lay length "L" when selecting optional grounding rings with/without gaskets. Also, the thickness of customer supplied gaskets should be added for getting the total lay length.
- *2: When submersible use or optional code DHC is selected, waterproof glands with union joints and cables are attached. When the cable length is 30-meters, add 9.5 kg (20.9 lb) to the weight in the table.
- *3: These grounding rings (GRL, GRH, GRV, GRW) are not applied to lining code F nor H but for U and D.
- *4: When applying these grounding rings (GRN, GRJ) to lining code F or H, gaskets supplied by customer are necessary. For the sizes in this table, recommended thickness of the gasket is 3 to 5 mm (0.12 to 0.20 in.) per one, bringing 6 to 10 mm (0.24 to 0.39 in.) per two to be additionally added for getting the total lay length.
- *5: The limit deviation of the lay length "L" is as follows.
 - Size 25 to 200 mm (1 to 8 in.): 0/-3 mm
 - Size 250 to 400 mm (10 to 16 in.): 0/-5 mm

○ Flange, EN PN10

Unit: mm (approx. in.)

| Model | Process Connection Code | | BE1 | | | | | | | | | | | | | | | |
|---|---------------------------------------|-----|----------------|----------------|----------------|----------------|----------------|----------------|----------------|----------------|----------------|-----------------|-----------------|-----------------|-----------------|-----------------|-----------------|--|
| | | | CE1 | | | | | | | | | | | | | | | |
| | Size Code | | 200 | 200 | 200 | 250 | 250 | 250 | 300 | 300 | 300 | 350 | 350 | 350 | 400 | 400 | 400 | |
| Size | | 200 | 200 | 200 | 250 | 250 | 250 | 300 | 300 | 300 | 350 | 350 | 350 | 400 | 400 | 400 | | |
| Lining Code | | F | U | H, D | F | U | H, D | F | U | H, D | F | U | H, D | F | U | H, D | | |
| Remote Sensor | Lay Length (*1) (*5) | L | 349 (13.72) | 349 (13.72) | 349 (13.72) | 448 (17.62) | 448 (17.62) | 448 (17.62) | 498 (19.59) | 498 (19.59) | 498 (19.59) | 548 (21.56) | 548 (21.56) | 548 (21.56) | 598 (23.52) | 598 (23.52) | 598 (23.52) | |
| | Flange Outer Diameter | øD | 340 (13.39) | 340 (13.39) | 340 (13.39) | 395 (15.55) | 395 (15.55) | 395 (15.55) | 445 (17.52) | 445 (17.52) | 445 (17.52) | 505 (19.88) | 505 (19.88) | 505 (19.88) | 565 (22.24) | 565 (22.24) | 565 (22.24) | |
| | Flange Thickness (incl. lining flare) | t | 28.0 (1.10) | 28.0 (1.10) | 28.0 (1.10) | 31.0 (1.22) | 31.0 (1.22) | 31.0 (1.22) | 30.0 (1.18) | 30.0 (1.18) | 30.0 (1.18) | 30.5 (1.20) | 30.5 (1.20) | 30.5 (1.20) | 30.5 (1.20) | 30.5 (1.20) | 30.5 (1.20) | |
| | Lining Inner Diameter | ød | 200 (7.89) | 194 (7.63) | 198 (7.81) | 248 (9.78) | 242 (9.53) | 247 (9.74) | 300 (11.79) | 292 (11.48) | 299 (11.75) | 330 (12.97) | 323 (12.70) | 330 (12.97) | 381 (14.98) | 373 (14.67) | 381 (14.98) | |
| | Bolt | øC | 295 (11.61) | 295 (11.61) | 295 (11.61) | 350 (13.78) | 350 (13.78) | 350 (13.78) | 400 (15.75) | 400 (15.75) | 400 (15.75) | 460 (18.11) | 460 (18.11) | 460 (18.11) | 515 (20.28) | 515 (20.28) | 515 (20.28) | |
| | Circle Diameter | ø° | 22.5 (0.87) | 22.5 (0.87) | 22.5 (0.87) | 15 (0.87) | 15 (0.87) | 15 (0.87) | 15 (0.87) | 15 (0.87) | 15 (0.87) | 11.25 (0.87) | 11.25 (0.87) | 11.25 (0.87) | 11.25 (1.02) | 11.25 (1.02) | 11.25 (1.02) | |
| | Bolt Hole Interval | øh | 22 (0.87) | 22 (0.87) | 22 (0.87) | 22 (0.87) | 22 (0.87) | 22 (0.87) | 22 (0.87) | 22 (0.87) | 22 (0.87) | 22 (0.87) | 22 (0.87) | 22 (0.87) | 26 (1.02) | 26 (1.02) | 26 (1.02) | |
| | Bolt Hole Diameter | N | 8 | 8 | 8 | 12 | 12 | 12 | 12 | 12 | 12 | 16 | 16 | 16 | 16 | 16 | 16 | |
| | Number of Bolt Holes | H1 | 338 (13.29) | 338 (13.29) | 338 (13.29) | 396 (15.58) | 396 (15.58) | 396 (15.58) | 445 (17.53) | 445 (17.53) | 445 (17.53) | 497 (19.55) | 497 (19.55) | 497 (19.55) | 554 (21.82) | 554 (21.82) | 554 (21.82) | |
| | Height | H2 | 168 (6.60) | 168 (6.60) | 168 (6.60) | 198 (7.81) | 198 (7.81) | 198 (7.81) | 223 (8.77) | 223 (8.77) | 223 (8.77) | 244 (9.61) | 244 (9.61) | 244 (9.61) | 272 (10.70) | 272 (10.70) | 272 (10.70) | |
| Height | H3 | - | - | - | 446 (17.56) | 446 (17.56) | 446 (17.56) | 496 (19.53) | 496 (19.53) | 496 (19.53) | 565 (22.24) | 565 (22.24) | 565 (22.24) | 625 (24.61) | 625 (24.61) | 625 (24.61) | | |
| Remote Sensor | Maximum Height | Hr | 455 (17.91) | 455 (17.91) | 455 (17.91) | 513 (20.20) | 513 (20.20) | 513 (20.20) | 563 (22.15) | 563 (22.15) | 563 (22.15) | 614 (24.17) | 614 (24.17) | 614 (24.17) | 672 (26.44) | 672 (26.44) | 672 (26.44) | |
| | Approx. Weight, Unit: kg (lb) (*2) | | 41 (90.5) | 40 (88.3) | 40 (88.3) | 65 (143.5) | 64 (141.3) | 64 (141.3) | 77 (170.0) | 76 (167.8) | 75 (165.6) | 97 (214.1) | 96 (211.9) | 94 (207.5) | 121 (267.1) | 120 (264.9) | 118 (260.5) | |
| Integral Flowmeter | Maximum Height | Hi | 500 (19.67) | 500 (19.67) | 500 (19.67) | 558 (21.96) | 558 (21.96) | 558 (21.96) | 607 (23.91) | 607 (23.91) | 607 (23.91) | 659 (25.93) | 659 (25.93) | 659 (25.93) | 716 (28.20) | 716 (28.20) | 716 (28.20) | |
| | Approx. Weight, Unit: kg (lb) | | 43 (94.9) | 43 (94.9) | 43 (94.9) | 67 (147.9) | 67 (147.9) | 66 (145.7) | 79 (174.4) | 79 (174.4) | 78 (172.2) | 99 (218.5) | 98 (216.3) | 97 (214.1) | 123 (271.5) | 122 (269.3) | 120 (264.9) | |
| Grounding rings thin type (GRL, GRH, GRV) (*1) (*3) | | | - | +2 (+0.08) | +2 (+0.08) | - | +4 (+0.16) | +4 (+0.16) | - | +4 (+0.16) | +4 (+0.16) | - | +4 (+0.16) | +4 (+0.16) | - | +4 (+0.16) | +4 (+0.16) | |
| Grounding rings thick type (GRN, GRJ, GRW) (*1) (*3) (*4) | | | +6 (+0.24) | +6 (+0.24) | +6 (+0.24) | +6 (+0.24) | +6 (+0.24) | +6 (+0.24) | +6 (+0.24) | +6 (+0.24) | +6 (+0.24) | +6 (+0.24) | +6 (+0.24) | +6 (+0.24) | +6 (+0.24) | +6 (+0.24) | +6 (+0.24) | |

- *1: Add the value above (which is the total of both ends) to the lay length "L" when selecting optional grounding rings with/without gaskets. Also, the thickness of customer supplied gaskets should be added for getting the total lay length.
- *2: When submersible use or optional code DHC is selected, waterproof glands with union joints and cables are attached. When the cable length is 30-meters, add 9.5 kg (20.9 lb) to the weight in the table.
- *3: These grounding rings (GRL, GRH, GRV, GRW) are not applied to lining code F nor H but for U and D.
- *4: When applying these grounding rings (GRN, GRJ) to lining code F or H, gaskets supplied by customer are necessary. For the sizes in this table, recommended thickness of the gasket is 3 to 5 mm (0.12 to 0.20 in.) per one, bringing 6 to 10 mm (0.24 to 0.39 in.) per two to be additionally added for getting the total lay length.
- *5: The limit deviation of the lay length "L" is as follows.
 - Size 25 to 200 mm (1 to 8 in.): 0/-3 mm
 - Size 250 to 400 mm (10 to 16 in.): 0/-5 mm

○ Flange, JIS F12

Unit: mm (approx. in.)

| Model | Process Connection Code | BG1 | | | | | | | | | | | | | | | | | | | | |
|--|---------------------------------------|---------|----------------|----------------|----------------|----------------|----------------|----------------|----------------|----------------|----------------|----------------|----------------|----------------|----------------|----------------|----------------|----------------|----------------|----------------|----------------|------|
| | | CG1 | | | | | | | | | | | | | | | | | | | | |
| | | 080 | | | 100 | | | 125 | | | 150 | | | 200 | | | 250 | | | | | |
| Size Code | 080 | 100 | 100 | 100 | 100 | 125 | 125 | 125 | 125 | 150 | 150 | 150 | 200 | 200 | 200 | 250 | 250 | 250 | | | | |
| Size | (3) | (4) | (4) | (4) | (4) | (5) | (5) | (5) | (5) | (6) | (6) | (6) | (8) | (8) | (8) | (10) | (10) | (10) | | | | |
| Lining Code | F | U, H, D | F | U | H | D | F | U | H | D | F | U | H, D | F | U | H, D | F | U | H, D | | | |
| Remote Sensor | Lay Length (*1) (*5) | L | 198 (7.78) | 198 (7.78) | 248 (9.74) | 248 (9.74) | 248 (9.74) | 248 (9.74) | 248 (9.74) | 248 (9.74) | 248 (9.74) | 248 (9.74) | 299 (11.75) | 299 (11.75) | 299 (11.75) | 349 (13.72) | 349 (13.72) | 349 (13.72) | 448 (17.62) | 448 (17.62) | 448 (17.62) | |
| | Flange Outer Diameter | øD | 211 (8.31) | 211 (8.31) | 238 (9.37) | 238 (9.37) | 238 (9.37) | 238 (9.37) | 263 (10.35) | 263 (10.35) | 263 (10.35) | 263 (10.35) | 290 (11.42) | 290 (11.42) | 290 (11.42) | 342 (13.46) | 342 (13.46) | 342 (13.46) | 410 (16.14) | 410 (16.14) | 410 (16.14) | |
| | Flange Thickness (incl. lining flare) | t | 24.5 (0.96) | 23.0 (0.91) | 24.5 (0.96) | 23.0 (0.91) | 23.0 (0.91) | 23.0 (0.91) | 26.5 (1.04) | 25.0 (0.98) | 25.0 (0.98) | 25.0 (0.98) | 27.0 (1.06) | 27.0 (1.06) | 27.0 (1.06) | 27.0 (1.06) | 27.0 (1.06) | 27.0 (1.06) | 30.0 (1.18) | 30.0 (1.18) | 30.0 (1.18) | |
| | Lining Inner Diameter | ød | 75 (2.96) | 73 (2.87) | 100 (3.95) | 97 (3.82) | 98 (3.87) | 96 (3.79) | 125 (4.91) | 121 (4.76) | 123 (4.83) | 121 (4.75) | 149 (5.87) | 145 (5.71) | 147 (5.80) | 200 (7.89) | 194 (7.63) | 198 (7.81) | 248 (9.78) | 242 (9.53) | 247 (9.74) | |
| | Bolt Circle Diameter | øC | 168 (6.61) | 168 (6.61) | 195 (7.68) | 195 (7.68) | 195 (7.68) | 195 (7.68) | 220 (8.66) | 220 (8.66) | 220 (8.66) | 220 (8.66) | 247 (9.72) | 247 (9.72) | 247 (9.72) | 299 (11.77) | 299 (11.77) | 299 (11.77) | 360 (14.17) | 360 (14.17) | 360 (14.17) | |
| | Bolt Hole Interval | θ° | 45 | 45 | 45 | 45 | 45 | 45 | 30 | 30 | 30 | 30 | 30 | 30 | 30 | 22.5 | 22.5 | 22.5 | 22.5 | 22.5 | 22.5 | 22.5 |
| | Bolt Hole Diameter | øh | 19 (0.75) | 19 (0.75) | 19 (0.75) | 19 (0.75) | 19 (0.75) | 19 (0.75) | 19 (0.75) | 19 (0.75) | 19 (0.75) | 19 (0.75) | 19 (0.75) | 19 (0.75) | 19 (0.75) | 19 (0.75) | 19 (0.75) | 19 (0.75) | 23 (0.91) | 23 (0.91) | 23 (0.91) | |
| | Number of Bolt Holes | N | 4 | 4 | 4 | 4 | 4 | 4 | 6 | 6 | 6 | 6 | 6 | 6 | 6 | 8 | 8 | 8 | 8 | 8 | 8 | 8 |
| | Height | H1 | 220 (8.66) | 220 (8.66) | 243 (9.57) | 243 (9.57) | 243 (9.57) | 243 (9.57) | 270 (10.63) | 270 (10.63) | 270 (10.63) | 270 (10.63) | 288 (11.32) | 288 (11.32) | 288 (11.32) | 339 (13.33) | 339 (13.33) | 339 (13.33) | 403 (15.88) | 403 (15.88) | 403 (15.88) | |
| | Height | H2 | 114 (4.49) | 114 (4.49) | 124 (4.88) | 124 (4.88) | 124 (4.88) | 124 (4.88) | 138 (5.43) | 138 (5.43) | 138 (5.43) | 138 (5.43) | 143 (5.61) | 143 (5.61) | 143 (5.61) | 168 (6.60) | 168 (6.60) | 168 (6.60) | 198 (7.81) | 198 (7.81) | 198 (7.81) | |
| Height | H3 | - | - | - | - | - | - | - | - | - | - | - | - | - | - | - | - | 461 (18.15) | 461 (18.15) | 461 (18.15) | | |
| Remote Sensor | Maximum Height | Hr | 337 (13.27) | 337 (13.27) | 360 (14.17) | 360 (14.17) | 360 (14.17) | 360 (14.17) | 387 (15.24) | 387 (15.24) | 387 (15.24) | 387 (15.24) | 405 (15.94) | 405 (15.94) | 405 (15.94) | 456 (17.95) | 456 (17.95) | 456 (17.95) | 521 (20.50) | 521 (20.50) | 521 (20.50) | |
| | Approx. Weight, Unit: kg (lb) (*2) | | 12.8 (28.2) | 12.8 (28.2) | 16.1 (35.5) | 16.1 (35.5) | 16.1 (35.5) | 16.1 (35.5) | 21.2 (46.7) | 21.2 (46.7) | 21.2 (46.7) | 21.2 (46.7) | 29 (64.0) | 28 (61.8) | 28 (61.8) | 40 (88.3) | 40 (88.3) | 40 (88.3) | 68 (150.1) | 67 (147.9) | 67 (147.9) | |
| Integral Flowmeter | Maximum Height | Hi | 382 (15.04) | 382 (15.04) | 405 (15.94) | 405 (15.94) | 405 (15.94) | 432 (17.01) | 432 (17.01) | 432 (17.01) | 432 (17.01) | 450 (17.70) | 450 (17.70) | 450 (17.70) | 501 (19.71) | 501 (19.71) | 501 (19.71) | 565 (22.26) | 565 (22.26) | 565 (22.26) | | |
| | Approx. Weight, Unit: kg (lb) | | 15.3 (33.7) | 15.3 (33.7) | 18.7 (41.2) | 18.7 (41.2) | 18.7 (41.2) | 18.7 (41.2) | 23.6 (52.0) | 23.6 (52.0) | 23.6 (52.0) | 23.6 (52.0) | 31 (68.4) | 31 (68.4) | 31 (68.4) | 42 (92.7) | 42 (92.7) | 42 (92.7) | 70 (154.5) | 69 (152.3) | 69 (152.3) | |
| Grounding rings thin type (GRL, GRH, GRV) (*1) (*3) | | | - | +2 (+0.08) | - | +2 (+0.08) | - | +2 (+0.08) | - | +2 (+0.08) | - | +2 (+0.08) | - | +2 (+0.08) | - | +2 (+0.08) | - | +2 (+0.08) | - | +4 (+0.16) | +4 (+0.16) | |
| Grounding rings thick type (GRN, GRJ, GRW) (*1) (*3) (*4) | | | +6 (+0.24) | +6 (+0.24) | +6 (+0.24) | +6 (+0.24) | +6 (+0.24) | +6 (+0.24) | +6 (+0.24) | +6 (+0.24) | +6 (+0.24) | +6 (+0.24) | +6 (+0.24) | +6 (+0.24) | +6 (+0.24) | +6 (+0.24) | +6 (+0.24) | +6 (+0.24) | +6 (+0.24) | +6 (+0.24) | +6 (+0.24) | |
| Grounding rings thick type (GRN, GRJ) with gaskets (GA, GC, GD) (*1) | | | +10 (+0.39) | - | +10 (+0.39) | - | - | - | +10 (+0.39) | - | - | - | - | - | - | - | - | - | - | - | - | |

- *1: Add the value above (which is the total of both ends) to the lay length "L" when selecting optional grounding rings with/without gaskets. Also, the thickness of customer supplied gaskets should be added for getting the total lay length.
- *2: When submersible use or optional code DHC is selected, waterproof glands with union joints and cables are attached. When the cable length is 30-meters, add 9.5 kg (20.9 lb) to the weight in the table.
- *3: These grounding rings (GRL, GRH, GRV, GRW) are not applied to lining code F nor H but for U and D.
- *4: When applying these grounding rings (GRN, GRJ) to lining code F or H, gaskets supplied by customer are necessary, except for lining code F with sizes 125 mm (5 in.) or less. For sizes up to 125 mm (5 in.), recommended thickness of the gasket is 2 mm (0.08 in.) per one, bringing 4 mm (0.16 in.) per two, and for sizes 150 mm (6 in.) and above, it is 3 to 5 mm (0.12 to 0.20 in.) per one, bringing 6 to 10 mm (0.24 to 0.39 in.) per two, to be additionally added for getting the total lay length.
- *5: The limit deviation of the lay length "L" is as follows.
 - Size 25 to 200 mm (1 to 8 in.): 0/-3 mm
 - Size 250 to 400 mm (10 to 16 in.): 0/-5 mm

○ Flange, JIS F12 (continued)

Unit: mm (approx. in.)

| Model | Process Connection Code | | BG1 | | | | | | | | |
|--|--|-----------------------|----------------|----------------|----------------|----------------|----------------|----------------|----------------|----------------|----------------|
| | | | CG1 | | | | | | | | |
| | Size Code | | 300 | 300 | 300 | 350 | 350 | 350 | 400 | 400 | 400 |
| Size | | 300 | 300 | 300 | 350 | 350 | 350 | 400 | 400 | 400 | |
| Lining Code | | (12) | (12) | (12) | (14) | (14) | (14) | (16) | (16) | (16) | |
| | | F | U | H, D | F | U | H, D | F | U | H, D | |
| Remote Sensor | Lay Length (*1) (*5) | L | 498 (19.59) | 498 (19.59) | 498 (19.59) | 548 (21.56) | 548 (21.56) | 548 (21.56) | 598 (23.52) | 598 (23.52) | 598 (23.52) |
| | | Flange Outer Diameter | øD | 464 (18.27) | 464 (18.27) | 464 (18.27) | 530 (20.87) | 530 (20.87) | 530 (20.87) | 582 (22.91) | 582 (22.91) |
| | Flange Thickness (incl. lining flare) | t | 29.0 (1.14) | 29.0 (1.14) | 29.0 (1.14) | 31.5 (1.24) | 31.5 (1.24) | 31.5 (1.24) | 31.5 (1.24) | 31.5 (1.24) | 31.5 (1.24) |
| | Lining Inner Diameter | ød | 300 (11.79) | 292 (11.48) | 299 (11.75) | 330 (12.97) | 323 (12.70) | 330 (12.97) | 381 (14.98) | 373 (14.67) | 384 (15.13) |
| | Bolt | øC | 414 (16.30) | 414 (16.30) | 414 (16.30) | 472 (18.58) | 472 (18.58) | 472 (18.58) | 524 (20.63) | 524 (20.63) | 524 (20.63) |
| | Circle Diameter | ø° | 18 | 18 | 18 | 18 | 18 | 18 | 15 | 15 | 15 |
| | Bolt Hole Interval | øh | 23 (0.91) | 23 (0.91) | 23 (0.91) | 25 (0.98) | 25 (0.98) | 25 (0.98) | 25 (0.98) | 25 (0.98) | 25 (0.98) |
| | Bolt Hole Diameter | N | 10 | 10 | 10 | 10 | 10 | 10 | 12 | 12 | 12 |
| | Number of Bolt Holes | H1 | 455 (17.90) | 455 (17.90) | 455 (17.90) | 509 (20.04) | 509 (20.04) | 509 (20.04) | 563 (22.16) | 563 (22.16) | 563 (22.16) |
| | Height | H2 | 223 (8.77) | 223 (8.77) | 223 (8.77) | 244 (9.61) | 244 (9.61) | 244 (9.61) | 272 (10.70) | 272 (10.70) | 272 (10.70) |
| Height | H3 | 515 (20.28) | 515 (20.28) | 515 (20.28) | 591 (23.27) | 591 (23.27) | 591 (23.27) | 643 (25.31) | 643 (25.31) | 643 (25.31) | |
| Remote Sensor | Maximum Height | Hr | 572 (22.52) | 572 (22.52) | 572 (22.52) | 626 (24.66) | 626 (24.66) | 626 (24.66) | 680 (26.78) | 680 (26.78) | 680 (26.78) |
| | Approx. Weight, Unit: kg (lb) (*2) | | 81 (178.8) | 80 (176.6) | 79 (174.4) | 106 (234.0) | 105 (231.8) | 103 (227.4) | 129 (284.8) | 128 (282.6) | 126 (278.2) |
| Integral Flowmeter | Maximum Height | Hi | 617 (24.28) | 617 (24.28) | 617 (24.28) | 671 (26.42) | 671 (26.42) | 671 (26.42) | 725 (28.54) | 725 (28.54) | 725 (28.54) |
| | Approx. Weight, Unit: kg (lb) | | 83 (183.2) | 83 (183.2) | 82 (181.0) | 108 (238.4) | 107 (236.2) | 106 (234.0) | 131 (289.2) | 130 (287.0) | 128 (282.6) |
| Grounding rings thin type (GRL, GRH, GRV) (*1) (*3) | | | - | +4 (+0.16) | +4 (+0.16) | - | +4 (+0.16) | +4 (+0.16) | - | +4 (+0.16) | +4 (+0.16) |
| Grounding rings thick type (GRN, GRJ, GRW) (*1) (*3) (*4) | | | +6 (+0.24) | +6 (+0.24) | +6 (+0.24) | +6 (+0.24) | +6 (+0.24) | +6 (+0.24) | +6 (+0.24) | +6 (+0.24) | +6 (+0.24) |

- *1: Add the value above (which is the total of both ends) to the lay length "L" when selecting optional grounding rings with/without gaskets. Also, the thickness of customer supplied gaskets should be added for getting the total lay length.
- *2: When submersible use or optional code DHC is selected, waterproof glands with union joints and cables are attached. When the cable length is 30-meters, add 9.5 kg (20.9 lb) to the weight in the table.
- *3: These grounding rings (GRL, GRH, GRV, GRW) are not applied to lining code F nor H but for U and D.
- *4: When applying these grounding rings (GRN, GRJ) to lining code F or H, gaskets supplied by customer are necessary. For the sizes in this table, recommended thickness of the gasket is 3 to 5 mm (0.12 to 0.20 in.) per one, bringing 6 to 10 mm (0.24 to 0.39 in.) per two to be additionally added for getting the total lay length.
- *5: The limit deviation of the lay length "L" is as follows.
- Size 250 to 400 mm (10 to 16 in.): 0/-5 mm

○ Flange, JIS 10K

Unit: mm (approx. in.)

| Model | Process Connection Code | BJ1 | | | | | | | | | | | | | | | | | | | | | |
|--|---|-------------|-------------|-------------|-------------|-------------|-------------|-------------|-------------|-------------|-------------|-------------|-------------|-------------|-------------|-------------|-------------|-------------|-------------|-------------|-------------|-------------|-----------|
| | | CJ1 | | | | | | | | | | | | | | | | | | | | | |
| | | 025 | 025 | 032 | 032 | 040 | 040 | 050 | 050 | 050 | 065 | 065 | 080 | 080 | 100 | 100 | 100 | 100 | 125 | 125 | 125 | 125 | |
| Size Code | (1) | (1) | (1.25) | (1.25) | (1.5) | (1.5) | (2) | (2) | (2) | (2.5) | (2.5) | (3) | (3) | (4) | (4) | (4) | (4) | (5) | (5) | (5) | (5) | | |
| Size | F | U | F | U | F | U | F | U | H, D | F | U, H, D | F | U, H, D | F | U | H | D | F | U | H | D | | |
| Lining Code | | | | | | | | | | | | | | | | | | | | | | | |
| Remote Sensor | Lay Length (*1) (*5) L | 198 (7.78) | 198 (7.78) | 198 (7.78) | 198 (7.78) | 198 (7.78) | 198 (7.78) | 198 (7.78) | 198 (7.78) | 198 (7.78) | 198 (7.78) | 198 (7.78) | 198 (7.78) | 248 (9.74) | 248 (9.74) | 248 (9.74) | 248 (9.74) | 248 (9.74) | 248 (9.74) | 248 (9.74) | 248 (9.74) | | |
| | Flange Outer Diameter øD | 125 (4.92) | 125 (4.92) | 135 (5.31) | 135 (5.31) | 140 (5.51) | 140 (5.51) | 155 (6.10) | 155 (6.10) | 155 (6.10) | 175 (6.89) | 175 (6.89) | 185 (7.28) | 185 (7.28) | 210 (8.27) | 210 (8.27) | 210 (8.27) | 210 (8.27) | 250 (9.84) | 250 (9.84) | 250 (9.84) | 250 (9.84) | |
| | Flange Thickness (incl. lining flare) t | 21.5 (0.85) | 20.0 (0.79) | 22.5 (0.89) | 21.0 (0.83) | 22.5 (0.89) | 21.0 (0.83) | 22.5 (0.89) | 21.0 (0.83) | 21.0 (0.83) | 24.5 (0.96) | 23.0 (0.91) | 24.5 (0.96) | 23.0 (0.91) | 24.5 (0.96) | 23.0 (0.91) | 23.0 (0.91) | 23.0 (0.91) | 26.5 (1.04) | 25.0 (0.98) | 25.0 (0.98) | 25.0 (0.98) | |
| | Lining Inner Diameter ød | 26 (1.02) | 24 (0.93) | 31 (1.22) | 29 (1.13) | 39 (1.53) | 37 (1.44) | 52 (2.03) | 49 (1.94) | 50 (1.96) | 63 (2.49) | 61 (2.40) | 75 (2.96) | 73 (2.87) | 100 (3.95) | 97 (3.82) | 98 (3.87) | 96 (3.79) | 125 (4.91) | 121 (4.76) | 123 (4.83) | 121 (4.75) | |
| | Bolt øC | 90 (3.54) | 90 (3.54) | 100 (3.94) | 100 (3.94) | 105 (4.13) | 105 (4.13) | 120 (4.72) | 120 (4.72) | 120 (4.72) | 140 (5.51) | 140 (5.51) | 150 (5.91) | 150 (5.91) | 175 (6.89) | 175 (6.89) | 175 (6.89) | 175 (6.89) | 210 (8.27) | 210 (8.27) | 210 (8.27) | 210 (8.27) | |
| | Circle Diameter | 45 (1.77) | 45 (1.77) | 45 (1.77) | 45 (1.77) | 45 (1.77) | 45 (1.77) | 45 (1.77) | 45 (1.77) | 45 (1.77) | 45 (1.77) | 45 (1.77) | 45 (1.77) | 45 (1.77) | 22.5 (0.89) | 22.5 (0.89) | 22.5 (0.89) | 22.5 (0.89) | 22.5 (0.89) | 22.5 (0.89) | 22.5 (0.89) | 22.5 (0.89) | |
| | Bolt Hole Interval θ° | 19 (0.75) | 19 (0.75) | 19 (0.75) | 19 (0.75) | 19 (0.75) | 19 (0.75) | 19 (0.75) | 19 (0.75) | 19 (0.75) | 19 (0.75) | 19 (0.75) | 19 (0.75) | 19 (0.75) | 19 (0.75) | 19 (0.75) | 19 (0.75) | 19 (0.75) | 19 (0.75) | 23 (0.91) | 23 (0.91) | 23 (0.91) | 23 (0.91) |
| | Bolt Hole Diameter øh | 4 (0.16) | 4 (0.16) | 4 (0.16) | 4 (0.16) | 4 (0.16) | 4 (0.16) | 4 (0.16) | 4 (0.16) | 4 (0.16) | 4 (0.16) | 4 (0.16) | 4 (0.16) | 4 (0.16) | 8 (0.31) | 8 (0.31) | 8 (0.31) | 8 (0.31) | 8 (0.31) | 8 (0.31) | 8 (0.31) | 8 (0.31) | |
| | Number of Bolt Holes N | 143 (5.63) | 143 (5.63) | 154 (6.06) | 154 (6.06) | 156 (6.14) | 156 (6.14) | 177 (6.97) | 177 (6.97) | 177 (6.97) | 196 (7.72) | 196 (7.72) | 207 (8.15) | 207 (8.15) | 229 (9.02) | 229 (9.02) | 229 (9.02) | 229 (9.02) | 263 (10.35) | 263 (10.35) | 263 (10.35) | 263 (10.35) | |
| | Height H1 | 80 (3.15) | 80 (3.15) | 86 (3.39) | 86 (3.39) | 86 (3.39) | 86 (3.39) | 99 (3.90) | 99 (3.90) | 99 (3.90) | 108 (4.25) | 108 (4.25) | 114 (4.49) | 114 (4.49) | 124 (4.88) | 124 (4.88) | 124 (4.88) | 124 (4.88) | 138 (5.43) | 138 (5.43) | 138 (5.43) | 138 (5.43) | |
| Height H2 | 260 (10.24) | 260 (10.24) | 271 (10.67) | 271 (10.67) | 273 (10.75) | 273 (10.75) | 294 (11.57) | 294 (11.57) | 294 (11.57) | 313 (12.32) | 313 (12.32) | 324 (12.76) | 324 (12.76) | 346 (13.62) | 346 (13.62) | 346 (13.62) | 346 (13.62) | 380 (14.96) | 380 (14.96) | 380 (14.96) | 380 (14.96) | | |
| Maximum Height Hr | 4.8 (10.6) | 4.8 (10.6) | 5.9 (13.0) | 5.9 (13.0) | 6.1 (13.5) | 6.1 (13.5) | 7.3 (16.1) | 7.3 (16.1) | 7.3 (16.1) | 9.6 (21.2) | 9.6 (21.2) | 10.2 (22.5) | 10.2 (22.5) | 13.0 (28.7) | 13.0 (28.7) | 13.0 (28.7) | 13.0 (28.7) | 19.1 (42.1) | 19.1 (42.1) | 19.1 (42.1) | 19.1 (42.1) | | |
| Approx. Weight, Unit: kg (lb) (*2) | 305 (12.01) | 305 (12.01) | 316 (12.44) | 316 (12.44) | 318 (12.52) | 318 (12.52) | 339 (13.35) | 339 (13.35) | 339 (13.35) | 358 (14.09) | 358 (14.09) | 369 (14.53) | 369 (14.53) | 391 (15.39) | 391 (15.39) | 391 (15.39) | 391 (15.39) | 425 (16.73) | 425 (16.73) | 425 (16.73) | 425 (16.73) | | |
| Maximum Height Hi | 7.3 (16.1) | 7.3 (16.1) | 8.4 (18.5) | 8.4 (18.5) | 8.7 (19.2) | 8.7 (19.2) | 9.8 (21.6) | 9.8 (21.6) | 9.8 (21.6) | 12.1 (26.7) | 12.1 (26.7) | 12.7 (28.0) | 12.7 (28.0) | 15.6 (34.4) | 15.6 (34.4) | 15.6 (34.4) | 15.6 (34.4) | 21.6 (47.6) | 21.6 (47.6) | 21.6 (47.6) | 21.6 (47.6) | | |
| Approx. Weight, Unit: kg (lb) | - | +2 (+0.08) | - | +2 (+0.08) | - | +2 (+0.08) | - | +2 (+0.08) | +2 (+0.08) | - | +2 (+0.08) | - | +2 (+0.08) | - | +2 (+0.08) | - | +2 (+0.08) | - | +2 (+0.08) | - | +2 (+0.08) | | |
| Grounding rings thin type (GRL, GRH, GRV) (*1) (*3) | +6 (+0.24) | +6 (+0.24) | +6 (+0.24) | +6 (+0.24) | +6 (+0.24) | +6 (+0.24) | +6 (+0.24) | +6 (+0.24) | +6 (+0.24) | +6 (+0.24) | +6 (+0.24) | +6 (+0.24) | +6 (+0.24) | +6 (+0.24) | +6 (+0.24) | +6 (+0.24) | +6 (+0.24) | +6 (+0.24) | +6 (+0.24) | +6 (+0.24) | +6 (+0.24) | | |
| Grounding rings thick type (GRN, GRJ, GRW) (*1) (*3) (*4) | +10 (+0.39) | - | +10 (+0.39) | - | +10 (+0.39) | - | +10 (+0.39) | - | +10 (+0.39) | - | +10 (+0.39) | - | +10 (+0.39) | - | +10 (+0.39) | - | +10 (+0.39) | - | +10 (+0.39) | - | +10 (+0.39) | | |
| Grounding rings thick type (GRN, GRJ) with gaskets (GA, GC, GD) (*1) | | | | | | | | | | | | | | | | | | | | | | | |

- *1: Add the value above (which is the total of both ends) to the lay length "L" when selecting optional grounding rings with/without gaskets. Also, the thickness of customer supplied gaskets should be added for getting the total lay length.
- *2: When submersible use or optional code DHC is selected, waterproof glands with union joints and cables are attached. When the cable length is 30-meters, add 9.5 kg (20.9 lb) to the weight in the table.
- *3: These grounding rings (GRL, GRH, GRV, GRW) are not applied to lining code F nor H but for U and D.
- *4: When applying these grounding rings (GRN, GRJ) to lining code H, gaskets supplied by customer are necessary. For the sizes in this table, recommended thickness of the gasket is 2 mm (0.08 in.) per one, bringing 4 mm (0.16 in.) per two to be additionally added for getting the total lay length.
- *5: The limit deviation of the lay length "L" is as follows.
 - Size 25 to 200 mm (1 to 8 in.): 0/-3 mm

○ Flange, JIS 10K (continued)

Unit: mm (approx. in.)

| Model | Process Connection Code | BJ1 | | | | | | | | | | | | | | | | | |
|---|---|----------------|----------------|----------------|----------------|----------------|----------------|----------------|----------------|----------------|-----------------|-----------------|-----------------|-----------------|-----------------|-----------------|-----------------|-----------------|-----------------|
| | | CJ1 | | | | | | | | | | | | | | | | | |
| | | 150 | | | 200 | | | 250 | | | 300 | | | 350 | | | 400 | | |
| Size Code | F | U | H, D | F | U | H, D | F | U | H, D | F | U | H, D | F | U | H, D | F | U | H, D | |
| Size | (6) | (6) | (6) | (8) | (8) | (8) | (10) | (10) | (10) | (12) | (12) | (12) | (14) | (14) | (14) | (16) | (16) | (16) | |
| Lining Code | F | U | H, D | F | U | H, D | F | U | H, D | F | U | H, D | F | U | H, D | F | U | H, D | |
| Remote Sensor | Lay Length (*1) (*5) L | 299 (11.75) | 299 (11.75) | 299 (11.75) | 349 (13.72) | 349 (13.72) | 349 (13.72) | 448 (17.62) | 448 (17.62) | 448 (17.62) | 498 (19.59) | 498 (19.59) | 498 (19.59) | 548 (21.56) | 548 (21.56) | 548 (21.56) | 598 (23.52) | 598 (23.52) | 598 (23.52) |
| | Flange Outer Diameter øD | 280 (11.02) | 280 (11.02) | 280 (11.02) | 330 (12.99) | 330 (12.99) | 330 (12.99) | 400 (15.75) | 400 (15.75) | 400 (15.75) | 445 (17.52) | 445 (17.52) | 445 (17.52) | 490 (19.29) | 490 (19.29) | 490 (19.29) | 560 (22.05) | 560 (22.05) | 560 (22.05) |
| | Flange Thickness (incl. lining flare) t | 27.0 (1.06) | 27.0 (1.06) | 27.0 (1.06) | 27.0 (1.06) | 27.0 (1.06) | 27.0 (1.06) | 30.0 (1.18) | 30.0 (1.18) | 30.0 (1.18) | 29.0 (1.14) | 29.0 (1.14) | 29.0 (1.14) | 31.5 (1.24) | 31.5 (1.24) | 31.5 (1.24) | 33.5 (1.32) | 33.5 (1.32) | 33.5 (1.32) |
| | Lining Inner Diameter ød | 149 (5.87) | 145 (5.71) | 147 (5.80) | 200 (7.89) | 194 (7.63) | 198 (7.81) | 248 (9.78) | 242 (9.53) | 247 (9.74) | 300 (11.79) | 292 (11.48) | 299 (11.75) | 330 (12.97) | 323 (12.70) | 330 (12.97) | 381 (14.98) | 373 (14.67) | 381 (14.98) |
| | Bolt øC | 240 (9.45) | 240 (9.45) | 240 (9.45) | 290 (11.42) | 290 (11.42) | 290 (11.42) | 355 (13.98) | 355 (13.98) | 355 (13.98) | 400 (15.75) | 400 (15.75) | 400 (15.75) | 445 (17.52) | 445 (17.52) | 445 (17.52) | 510 (20.08) | 510 (20.08) | 510 (20.08) |
| | Circle Diameter | 240 (9.45) | 240 (9.45) | 240 (9.45) | 290 (11.42) | 290 (11.42) | 290 (11.42) | 355 (13.98) | 355 (13.98) | 355 (13.98) | 400 (15.75) | 400 (15.75) | 400 (15.75) | 445 (17.52) | 445 (17.52) | 445 (17.52) | 510 (20.08) | 510 (20.08) | 510 (20.08) |
| | Bolt Hole Interval ø° | 22.5 (0.91) | 22.5 (0.91) | 22.5 (0.91) | 15 (0.91) | 15 (0.91) | 15 (0.91) | 15 (0.98) | 15 (0.98) | 15 (0.98) | 11.25 (0.98) | 11.25 (0.98) | 11.25 (0.98) | 11.25 (0.98) | 11.25 (0.98) | 11.25 (0.98) | 11.25 (1.06) | 11.25 (1.06) | 11.25 (1.06) |
| | Bolt Hole Diameter øh | 23 (0.91) | 23 (0.91) | 23 (0.91) | 23 (0.91) | 23 (0.91) | 23 (0.91) | 25 (0.98) | 25 (0.98) | 25 (0.98) | 25 (0.98) | 25 (0.98) | 25 (0.98) | 25 (0.98) | 25 (0.98) | 25 (0.98) | 27 (1.06) | 27 (1.06) | 27 (1.06) |
| | Number of Bolt Holes N | 8 | 8 | 8 | 12 | 12 | 12 | 12 | 12 | 12 | 16 | 16 | 16 | 16 | 16 | 16 | 16 | 16 | 16 |
| | Integral Flowmeter | Height H1 | 283 (11.12) | 283 (11.12) | 283 (11.12) | 333 (13.10) | 333 (13.10) | 333 (13.10) | 398 (15.68) | 398 (15.68) | 398 (15.68) | 445 (17.53) | 445 (17.53) | 445 (17.53) | 489 (19.25) | 489 (19.25) | 489 (19.25) | 552 (21.72) | 552 (21.72) |
| Height H2 | | 143 (5.61) | 143 (5.61) | 143 (5.61) | 168 (6.60) | 168 (6.60) | 168 (6.60) | 198 (7.81) | 198 (7.81) | 198 (7.81) | 223 (8.77) | 223 (8.77) | 223 (8.77) | 244 (9.61) | 244 (9.61) | 244 (9.61) | 272 (10.70) | 272 (10.70) | 272 (10.70) |
| Height H3 | | - | - | - | - | - | - | 451 (17.76) | 451 (17.76) | 451 (17.76) | 496 (19.53) | 496 (19.53) | 496 (19.53) | 550 (21.65) | 550 (21.65) | 550 (21.65) | 620 (24.41) | 620 (24.41) | 620 (24.41) |
| Remote Sensor | Maximum Height Hr | 400 (15.74) | 400 (15.74) | 400 (15.74) | 450 (17.71) | 450 (17.71) | 450 (17.71) | 516 (20.30) | 516 (20.30) | 516 (20.30) | 563 (22.15) | 563 (22.15) | 563 (22.15) | 606 (23.87) | 606 (23.87) | 606 (23.87) | 669 (26.34) | 669 (26.34) | 669 (26.34) |
| | Approx. Weight, Unit: kg (lb) (*2) | 26 (57.4) | 25 (55.2) | 26 (57.4) | 36 (79.5) | 35 (77.3) | 35 (77.3) | 61 (134.7) | 61 (134.7) | 61 (134.7) | 70 (156.7) | 70 (156.7) | 70 (156.7) | 85 (187.6) | 85 (187.6) | 85 (187.6) | 115 (253.9) | 115 (253.9) | 115 (253.9) |
| Integral Flowmeter | Maximum Height Hi | 445 (17.50) | 445 (17.50) | 445 (17.50) | 495 (19.47) | 495 (19.47) | 495 (19.47) | 560 (22.06) | 560 (22.06) | 560 (22.06) | 607 (23.91) | 607 (23.91) | 607 (23.91) | 651 (25.63) | 651 (25.63) | 651 (25.63) | 714 (28.10) | 714 (28.10) | 714 (28.10) |
| | Approx. Weight, Unit: kg (lb) | 28 (61.8) | 28 (61.8) | 28 (61.8) | 38 (83.9) | 38 (83.9) | 38 (83.9) | 64 (141.3) | 63 (139.1) | 63 (139.1) | 73 (161.2) | 73 (161.2) | 73 (161.2) | 89 (196.5) | 88 (194.3) | 88 (194.3) | 117 (258.3) | 116 (256.1) | 114 (251.7) |
| Grounding rings thin type (GRL, GRH, GRV) (*1) (*3) | | - | +2 (+0.08) | +2 (+0.08) | - | +2 (+0.08) | +2 (+0.08) | - | +4 (+0.16) | +4 (+0.16) | - | +4 (+0.16) | +4 (+0.16) | - | +4 (+0.16) | +4 (+0.16) | - | +4 (+0.16) | +4 (+0.16) |
| Grounding rings thick type (GRN, GRJ, GRW) (*1) (*3) (*4) | | +6 (+0.24) | +6 (+0.24) | +6 (+0.24) | +6 (+0.24) | +6 (+0.24) | +6 (+0.24) | +6 (+0.24) | +6 (+0.24) | +6 (+0.24) | +6 (+0.24) | +6 (+0.24) | +6 (+0.24) | +6 (+0.24) | +6 (+0.24) | +6 (+0.24) | +6 (+0.24) | +6 (+0.24) | +6 (+0.24) |

- *1: Add the value above (which is the total of both ends) to the lay length "L" when selecting optional grounding rings with/without gaskets. Also, the thickness of customer supplied gaskets should be added for getting the total lay length.
- *2: When submersible use or optional code DHC is selected, waterproof glands with union joints and cables are attached. When the cable length is 30-meters, add 9.5 kg (20.9 lb) to the weight in the table.
- *3: These grounding rings (GRL, GRH, GRV, GRW) are not applied to lining code F nor H but for U and D.
- *4: When applying these grounding rings (GRN, GRJ) to lining code F or H, gaskets supplied by customer are necessary. For the sizes in this table, recommended thickness of the gasket is 3 to 5 mm (0.12 to 0.20 in.) per one, bringing 6 to 10 mm (0.24 to 0.39 in.) per two to be additionally added for getting the total lay length.
- *5: The limit deviation of the lay length "L" is as follows.
 - Size 25 to 200 mm (1 to 8 in.): 0/-3 mm
 - Size 250 to 400 mm (10 to 16 in.): 0/-5 mm

○ Flange, JIS 20K

Unit: mm (approx. in.)

| Model | Process Connection Code | BJ2 | | | | | | | | | | | | | | | | | | | |
|--|---|--------|--------|--------|--------|--------|--------|--------|--------|--------|---------|--------|---------|--------|--------|--------|--------|--------|--------|--------|--------|
| | | CJ2 | | | | | | | | | | | | | | | | | | | |
| | | 025 | 025 | 032 | 032 | 040 | 040 | 050 | 050 | 050 | 065 | 065 | 080 | 080 | 100 | 100 | 100 | 100 | 125 | 125 | 125 |
| Size Code | (1) | (1) | (1.25) | (1.25) | (1.5) | (1.5) | (2) | (2) | (2) | (2.5) | (2.5) | (3) | (3) | (4) | (4) | (4) | (4) | (5) | (5) | (5) | (5) |
| Size | F | U | F | U | F | U | F | U | H, D | F | U, H, D | F | U, H, D | F | U | H | D | F | U | H | D |
| Lining Code | | | | | | | | | | | | | | | | | | | | | |
| Remote Sensor | Lay Length (*1) (*5) L | 198 | 198 | 198 | 198 | 198 | 198 | 198 | 198 | 198 | 198 | 198 | 198 | 198 | 248 | 248 | 248 | 248 | 248 | 248 | 248 |
| | Flange Outer Diameter øD | 125 | 125 | 135 | 135 | 140 | 140 | 155 | 155 | 155 | 175 | 175 | 200 | 200 | 225 | 225 | 225 | 225 | 270 | 270 | 270 |
| | Flange Thickness (incl. lining flare) t | 23.5 | 22.0 | 24.5 | 23.0 | 24.5 | 23.0 | 24.5 | 23.0 | 23.0 | 26.5 | 25.0 | 28.5 | 27.0 | 30.5 | 29.0 | 29.0 | 29.0 | 32.5 | 31.0 | 31.0 |
| | Lining Inner Diameter ød | 26 | 24 | 31 | 29 | 39 | 37 | 52 | 49 | 50 | 63 | 61 | 75 | 73 | 100 | 97 | 98 | 96 | 125 | 121 | 123 |
| | Bolt øC | 90 | 90 | 100 | 100 | 105 | 105 | 120 | 120 | 120 | 140 | 140 | 160 | 160 | 185 | 185 | 185 | 185 | 225 | 225 | 225 |
| | Circle Diameter | (3.54) | (3.54) | (3.94) | (3.94) | (4.13) | (4.13) | (4.72) | (4.72) | (4.72) | (5.51) | (5.51) | (6.30) | (6.30) | (7.28) | (7.28) | (7.28) | (7.28) | (8.86) | (8.86) | (8.86) |
| | Bolt Hole Interval θ° | 45 | 45 | 45 | 45 | 45 | 45 | 22.5 | 22.5 | 22.5 | 22.5 | 22.5 | 22.5 | 22.5 | 22.5 | 22.5 | 22.5 | 22.5 | 22.5 | 22.5 | 22.5 |
| | Bolt Hole Diameter øh | 19 | 19 | 19 | 19 | 19 | 19 | 19 | 19 | 19 | 19 | 19 | 23 | 23 | 23 | 23 | 23 | 23 | 25 | 25 | 25 |
| | Number of Bolt Holes N | 4 | 4 | 4 | 4 | 4 | 4 | 8 | 8 | 8 | 8 | 8 | 8 | 8 | 8 | 8 | 8 | 8 | 8 | 8 | 8 |
| | Height H1 | 143 | 143 | 154 | 154 | 156 | 156 | 177 | 177 | 177 | 196 | 196 | 214 | 214 | 237 | 237 | 237 | 237 | 273 | 273 | 273 |
| Height H2 | 80 | 80 | 86 | 86 | 86 | 86 | 99 | 99 | 99 | 108 | 108 | 114 | 114 | 124 | 124 | 124 | 124 | 138 | 138 | 138 | |
| Maximum Height Hr | 260 | 260 | 271 | 271 | 273 | 273 | 294 | 294 | 294 | 313 | 313 | 331 | 331 | 354 | 354 | 354 | 354 | 390 | 390 | 390 | |
| Approx. Weight, Unit: kg (lb) (*2) | 5.2 | 5.2 | 6.3 | 6.3 | 6.6 | 6.6 | 7.5 | 7.5 | 7.5 | 9.9 | 9.9 | 13.1 | 13.1 | 17.7 | 17.7 | 17.7 | 17.7 | 26.5 | 26.5 | 26.5 | |
| Maximum Height Hi | 305 | 305 | 316 | 316 | 318 | 318 | 339 | 339 | 339 | 358 | 358 | 376 | 376 | 399 | 399 | 399 | 399 | 435 | 435 | 435 | |
| Approx. Weight, Unit: kg (lb) | 7.7 | 7.7 | 8.8 | 8.8 | 9.2 | 9.2 | 10.0 | 10.0 | 10.0 | 12.5 | 12.5 | 15.6 | 15.6 | 20.2 | 20.2 | 20.2 | 20.2 | 29.1 | 29.1 | 29.1 | |
| Grounding rings thin type (GRL, GRH, GRV) (*1) (*3) | - | +2 | - | +2 | - | +2 | - | +2 | +2 | - | +2 | - | +2 | - | +2 | - | +2 | - | +2 | - | |
| Grounding rings thick type (GRN, GRJ, GRW) (*1) (*3) (*4) | +6 | +6 | +6 | +6 | +6 | +6 | +6 | +6 | +6 | +6 | +6 | +6 | +6 | +6 | +6 | +6 | +6 | +6 | +6 | +6 | |
| Grounding rings thick type (GRN, GRJ) with gaskets (GA, GC, GD) (*1) | +10 | - | +10 | - | +10 | - | +10 | - | +10 | - | +10 | - | +10 | - | +10 | - | +10 | - | +10 | - | |

- *1: Add the value above (which is the total of both ends) to the lay length "L" when selecting optional grounding rings with/without gaskets. Also, the thickness of customer supplied gaskets should be added for getting the total lay length.
- *2: When submersible use or optional code DHC is selected, waterproof glands with union joints and cables are attached. When the cable length is 30-meters, add 9.5 kg (20.9 lb) to the weight in the table.
- *3: These grounding rings (GRL, GRH, GRV, GRW) are not applied to lining code F nor H but for U and D.
- *4: When applying these grounding rings (GRN, GRJ) to lining code H, gaskets supplied by customer are necessary. For the sizes in this table, recommended thickness of the gasket is 2 mm (0.08 in.) per one, bringing 4 mm (0.16 in.) per two to be additionally added for getting the total lay length.
- *5: The limit deviation of the lay length "L" is as follows.
 - Size 25 to 200 mm (1 to 8 in.): 0/-3 mm

○ Flange, JIS 20K (continued)

Unit: mm (approx. in.)

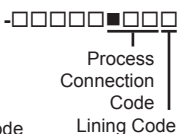
| Model | Process Connection Code | | BJ2 | | | | | | | | | | | |
|--|--|-----------------------|----------------|----------------|----------------|----------------|----------------|----------------|----------------|----------------|----------------|----------------|----------------|----------------|
| | | | CJ2 | | | | | | | | | | | |
| | Size Code | | 150 | 150 | 150 | 200 | 200 | 200 | 250 | 250 | 250 | 300 | 300 | 300 |
| Size | | 150 | 150 | 150 | 200 | 200 | 200 | 250 | 250 | 250 | 300 | 300 | 300 | |
| Lining Code | | F | U | H, D | F | U | H, D | F | U | H, D | F | U | H, D | |
| Remote Sensor | Lay Length (*1) (*5) | L | 299 (11.75) | 299 (11.75) | 299 (11.75) | 349 (13.72) | 349 (13.72) | 349 (13.72) | 448 (17.62) | 448 (17.62) | 448 (17.62) | 498 (19.59) | 498 (19.59) | 498 (19.59) |
| | | Flange Outer Diameter | øD | 305 (12.01) | 305 (12.01) | 305 (12.01) | 350 (13.78) | 350 (13.78) | 350 (13.78) | 430 (16.93) | 430 (16.93) | 430 (16.93) | 480 (18.90) | 480 (18.90) |
| | Flange Thickness (incl. lining flare) | t | 33.0 (1.30) | 33.0 (1.30) | 33.0 (1.30) | 35.0 (1.38) | 35.0 (1.38) | 35.0 (1.38) | 40.0 (1.57) | 40.0 (1.57) | 40.0 (1.57) | 41.0 (1.61) | 41.0 (1.61) | 41.0 (1.61) |
| | Lining Inner Diameter | ød | 149 (5.87) | 145 (5.71) | 147 (5.80) | 200 (7.89) | 194 (7.63) | 198 (7.81) | 248 (9.78) | 242 (9.53) | 247 (9.74) | 300 (11.79) | 292 (11.48) | 299 (11.75) |
| | Bolt | øC | 260 (10.24) | 260 (10.24) | 260 (10.24) | 305 (12.01) | 305 (12.01) | 305 (12.01) | 380 (14.96) | 380 (14.96) | 380 (14.96) | 430 (16.93) | 430 (16.93) | 430 (16.93) |
| | Bolt Hole Interval | θ° | 15 | 15 | 15 | 15 | 15 | 15 | 15 | 15 | 15 | 11.25 | 11.25 | 11.25 |
| | Bolt Hole Diameter | øh | 25 (0.98) | 25 (0.98) | 25 (0.98) | 25 (0.98) | 25 (0.98) | 25 (0.98) | 27 (1.06) | 27 (1.06) | 27 (1.06) | 27 (1.06) | 27 (1.06) | 27 (1.06) |
| | Number of Bolt Holes | N | 12 | 12 | 12 | 12 | 12 | 12 | 12 | 12 | 12 | 16 | 16 | 16 |
| | Height | H1 | 295 (11.61) | 295 (11.61) | 295 (11.61) | 343 (13.49) | 343 (13.49) | 343 (13.49) | 413 (16.27) | 413 (16.27) | 413 (16.27) | 463 (18.22) | 463 (18.22) | 463 (18.22) |
| | Height | H2 | 143 (5.61) | 143 (5.61) | 143 (5.61) | 168 (6.60) | 168 (6.60) | 168 (6.60) | 198 (7.81) | 198 (7.81) | 198 (7.81) | 223 (8.77) | 223 (8.77) | 223 (8.77) |
| Height | H3 | - | - | - | - | - | - | 481 (18.94) | 481 (18.94) | 481 (18.94) | 531 (20.91) | 531 (20.91) | 531 (20.91) | |
| Remote Sensor | Maximum Height | Hr | 412 (16.23) | 412 (16.23) | 412 (16.23) | 460 (18.11) | 460 (18.11) | 460 (18.11) | 531 (20.89) | 531 (20.89) | 531 (20.89) | 580 (22.84) | 580 (22.84) | 580 (22.84) |
| | Approx. Weight, Unit: kg (lb) (*2) | | 35 (77.3) | 35 (77.3) | 35 (77.3) | 48 (106.0) | 47 (103.8) | 47 (103.8) | 85 (187.6) | 84 (185.4) | 83 (183.2) | 101 (223.0) | 100 (220.8) | 100 (220.8) |
| Integral Flowmeter | Maximum Height | Hi | 457 (17.99) | 457 (17.99) | 457 (17.99) | 505 (19.87) | 505 (19.87) | 505 (19.87) | 575 (22.65) | 575 (22.65) | 575 (22.65) | 625 (24.60) | 625 (24.60) | 625 (24.60) |
| | Approx. Weight, Unit: kg (lb) | | 37 (81.7) | 37 (81.7) | 37 (81.7) | 50 (110.4) | 50 (110.4) | 50 (110.4) | 87 (192.1) | 86 (189.9) | 86 (189.9) | 104 (229.6) | 102 (225.2) | 102 (225.2) |
| Grounding rings thin type (GRL, GRH, GRV) (*1) (*3) | | | - | +2 (+0.08) | +2 (+0.08) | - | +2 (+0.08) | +2 (+0.08) | - | +4 (+0.16) | +4 (+0.16) | - | +4 (+0.16) | +4 (+0.16) |
| Grounding rings thick type (GRN, GRJ, GRW) (*1) (*3) (*4) | | | +6 (+0.24) | +6 (+0.24) | +6 (+0.24) | +6 (+0.24) | +6 (+0.24) | +6 (+0.24) | +6 (+0.24) | +6 (+0.24) | +6 (+0.24) | +6 (+0.24) | +6 (+0.24) | +6 (+0.24) |

- *1: Add the value above (which is the total of both ends) to the lay length "L" when selecting optional grounding rings with/without gaskets. Also, the thickness of customer supplied gaskets should be added for getting the total lay length.
- *2: When submersible use or optional code DHC is selected, waterproof glands with union joints and cables are attached. When the cable length is 30-meters, add 9.5 kg (20.9 lb) to the weight in the table.
- *3: These grounding rings (GRL, GRH, GRV, GRW) are not applied to lining code F nor H but for U and D.
- *4: When applying these grounding rings (GRN, GRJ) to lining code F or H, gaskets supplied by customer are necessary. For the sizes in this table, recommended thickness of the gasket is 3 to 5 mm (0.12 to 0.20 in.) per one, bringing 6 to 10 mm (0.24 to 0.39 in.) per two to be additionally added for getting the total lay length.
- *5: The limit deviation of the lay length "L" is as follows.
- Size 25 to 200 mm (1 to 8 in.): 0/-3 mm
 - Size 250 to 400 mm (10 to 16 in.): 0/-5 mm

● Grounding Ring (Handle Bracket Type)

Size 150 to 400 mm (6 to 16 in.)

- AXW150
- AXW200
- AXW250
- AXW300
- AXW350
- AXW400

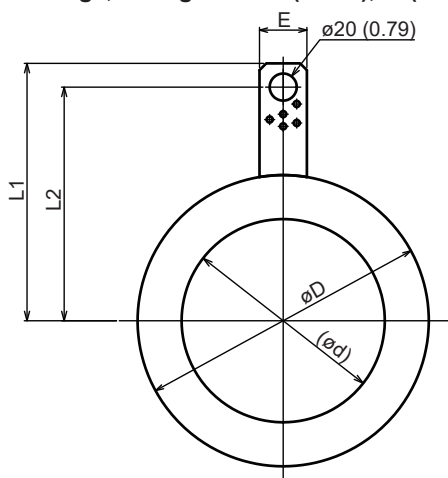


■=B, C

○ Grounding Ring (Optional Code GRN, GRJ) for size 150 to 200 mm (6 to 8 in.)

Flange, Lining Code F (PTFE), H (Natural Hard Rubber)

Unit: mm (approx. in.)



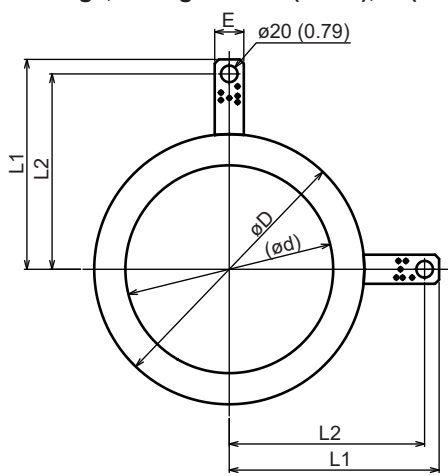
F25.ai

| Process Connection Code | BA1, BE2, BG1, BJ1 | BA2, BJ2 | BA1, BE1, BE2, BG1, BJ1 | BA2, BJ2 |
|---|--------------------|--------------|-------------------------|--------------|
| | CA1, CE2, CG1, CJ1 | CA2, CJ2 | CA1, CE1, CE2, CG1, CJ1 | CA2, CJ2 |
| Size Code | 150 | 150 | 200 | 200 |
| Size | 150 (6) | 150 (6) | 200 (8) | 200 (8) |
| Lining Code | F, H | | | |
| Ring Outer Diameter | ϕD | 215 (8.46) | 222 (8.74) | 265 (10.43) |
| Ring Inner Diameter | ϕd | 150 (5.91) | 150 (5.91) | 201 (7.91) |
| Length | L1 | 197.5 (7.78) | 201.0 (7.91) | 222.5 (8.76) |
| Length | L2 | 180.0 (7.09) | 183.5 (7.22) | 205.0 (8.07) |
| Bracket Width | E | 35 (1.38) | 35 (1.38) | 35 (1.38) |
| Ring Thickness | 3 | | | |
| Grounding rings thick type (GRN) Approx. Weight, Unit: kg (lb) | 0.5 (1.1) | 0.6 (1.3) | 0.6 (1.3) | 0.8 (1.8) |
| Grounding rings thick type (GRJ) Approx. Weight, Unit: kg (lb) | 0.6 (1.3) | 0.6 (1.3) | 0.7 (1.5) | 0.8 (1.8) |

○ Grounding Ring (Optional Code GRN, GRJ) for size 250 to 400 mm (10 to 16 in.)

Flange, Lining Code F (PTFE), H (Natural Hard Rubber)

Unit: mm (approx. in.)

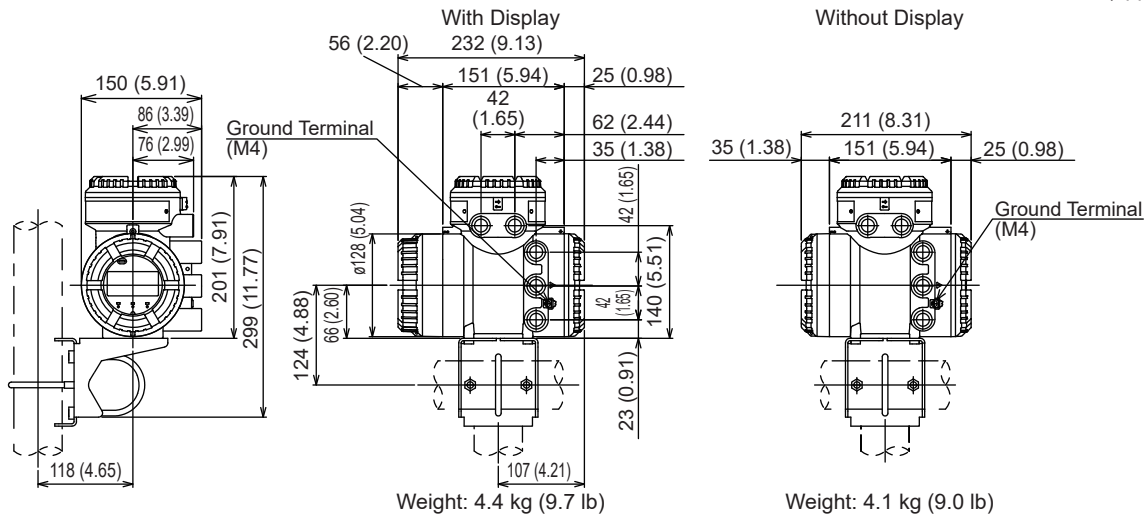


F26.ai

| Process Connection Code | BA1, BE1, BE2, BG1, BJ1 | BA2, BJ2 | BA1, BE1, BE2, BG1, BJ1 | BA2, BJ2 | BA1, BE1, BE2, BG1, BJ1 | BA2, BJ2 |
|---|-------------------------|--------------|-------------------------|---------------|-------------------------|---------------|
| | CA1, CE1, CE2, CG1, CJ1 | CA2, CJ2 | CA1, CE1, CE2, CG1, CJ1 | CA2, CJ2 | CA1, CE1, CE2, CG1, CJ1 | CA2, CJ2 |
| Size Code | 250 | 250 | 300 | 300 | 350 | 400 |
| Size | 250 (10) | 250 (10) | 300 (12) | 300 (12) | 350 (14) | 400 (16) |
| Lining Code | F, H | | | | | |
| Ring Outer Diameter | ϕD | 325 (12.80) | 337 (13.27) | 370 (14.57) | 395 (15.55) | 415 (16.34) |
| Ring Inner Diameter | ϕd | 250 (9.84) | 250 (9.84) | 301 (11.85) | 301 (11.85) | 330 (12.99) |
| Length | L1 | 252.5 (9.94) | 258.5 (10.18) | 292.0 (11.50) | 304.5 (11.99) | 314.5 (12.38) |
| Length | L2 | 235.0 (9.25) | 241.0 (9.49) | 274.5 (10.81) | 287.0 (11.30) | 297.0 (11.69) |
| Bracket Width | E | 35 (1.38) | 35 (1.38) | 35 (1.38) | 35 (1.38) | 35 (1.38) |
| Ring Thickness | 3 | | | | | |
| Grounding rings thick type (GRN) Approx. Weight, Unit: kg (lb) | 0.8 (1.8) | 1.0 (2.2) | 0.9 (2.0) | 1.2 (2.7) | 1.2 (2.7) | 1.6 (3.5) |
| Grounding rings thick type (GRJ) Approx. Weight, Unit: kg (lb) | 0.9 (2.0) | 1.1 (2.4) | 1.0 (2.2) | 1.4 (3.1) | 1.3 (2.9) | 1.8 (4.0) |

(2) AXW4A Remote Transmitter

Unit: mm (approx. in.)

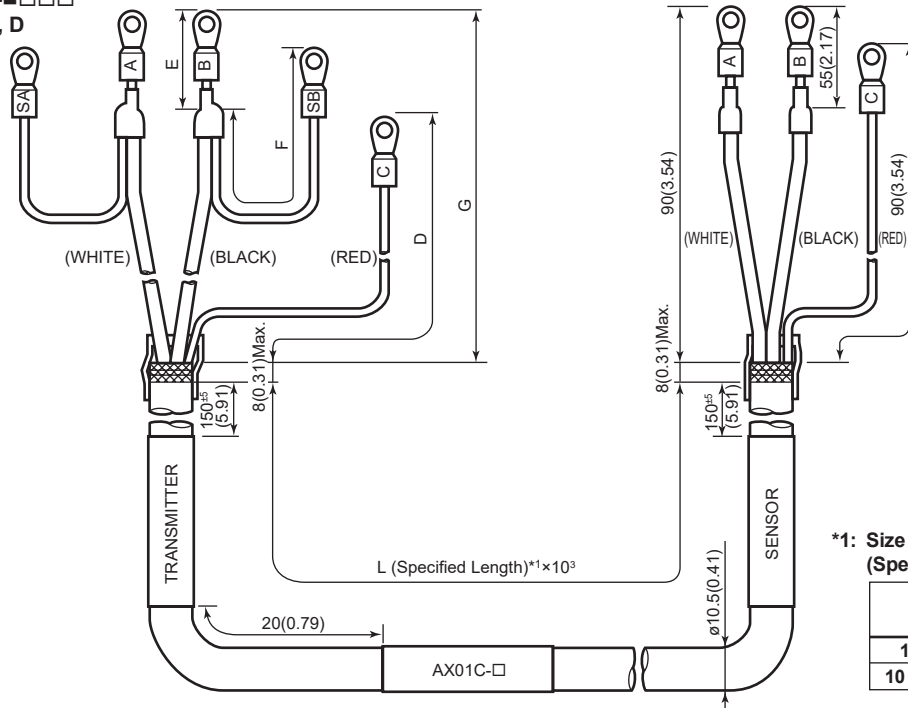


(3) Magnetic Flowmeter Signal Cable AX01C

Cable Finish: Unfinished

Unit: mm (approx. in.)

AX01C-
■=B, C, D



*1: Size Limit Deviation for L (Specified Length)

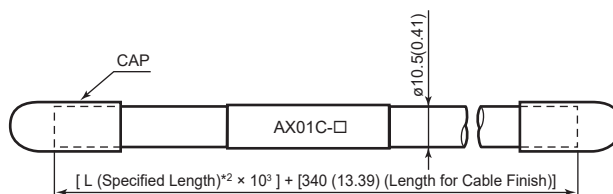
| L [m] | Limit Deviation | |
|-----------|-----------------|-------|
| | Lower | Upper |
| 1 to 9 | 0 | +2 % |
| 10 to 200 | 0 | +1 % |

Unit: mm (approx. in.)

| Model and Suffix Code | Length | | | | Description |
|---|-------------------------------------|-------------------------------------|-------------------------------------|-------------------------------------|-------------|
| | D | E | F | G | |
| AX01C-B | 70 (2.8) ⁺⁵ ₀ | 25 (1.0) ⁺⁵ ₀ | 50 (2.0) ⁺⁵ ₀ | 60 (2.4) ⁺⁵ ₀ | For AXG1A |
| AX01C-C | 60 (2.4) ⁺⁵ ₀ | 25 (1.0) ⁺⁵ ₀ | 70 (2.8) ⁺⁵ ₀ | 50 (2.0) ⁺⁵ ₀ | For AXW4A |
| AX01C-D | 70 (2.8) ⁺⁵ ₀ | 25 (1.0) ⁺⁵ ₀ | 50 (2.0) ⁺⁵ ₀ | 60 (2.4) ⁺⁵ ₀ | For AXFA11 |

Cable Finish: Unfinished

AX01C-
■=A



*2: Size Limit Deviation for L (Specified Length)

| L [m] | Limit Deviation | |
|------------|-----------------|-------|
| | Lower | Upper |
| 1 to 9 | 0 | +4 % |
| 10 to 100 | 0 | +2 % |
| 101 to 200 | 0 | +1 % |

F27.ai

(4) Limit Deviation

Unless otherwise specified, size limit deviation in the drawings are as shown in the following table.

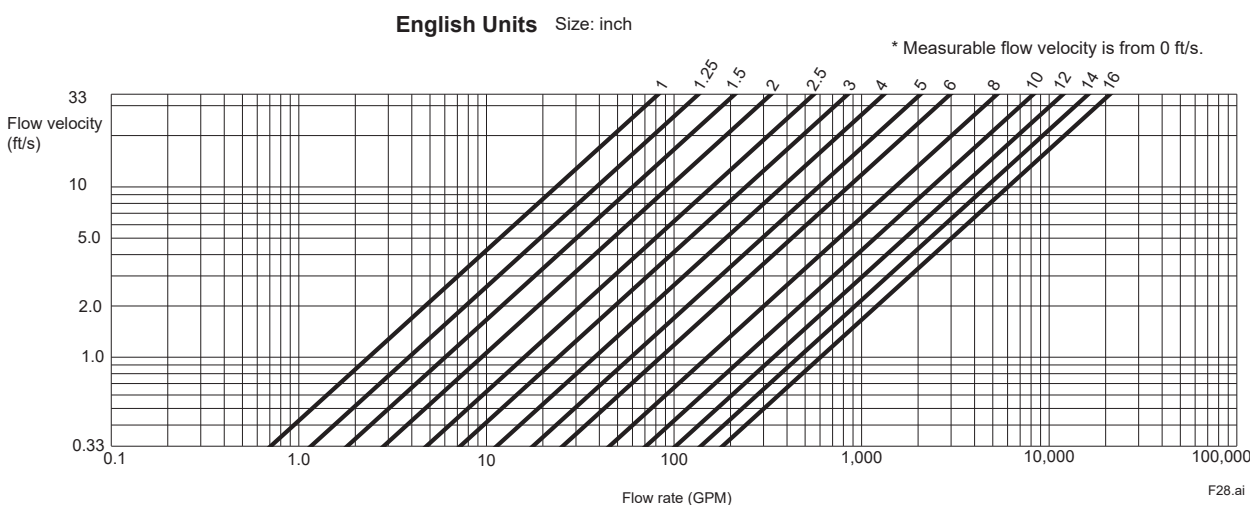
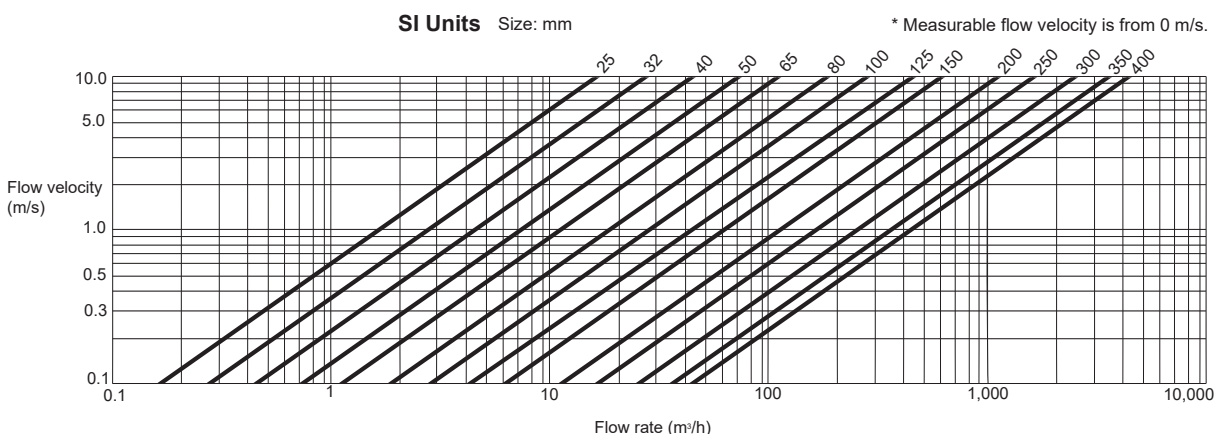
General limit deviation in the dimensional outline drawing.

Unit: mm (approx. in.)

| Category of basic size | | Limit deviation | Category of basic size | | Limit deviation |
|------------------------|----------------|-----------------|------------------------|----------------|-----------------|
| Above | Equal or below | | Above | Equal or below | |
| | 3 (0.12) | ±0.7 (±0.03) | 500 (19.69) | 630 (24.80) | ±5.5 (±0.22) |
| 3 (0.12) | 6 (0.24) | ±0.9 (±0.04) | 630 (24.80) | 800 (31.50) | ±6.25 (±0.25) |
| 6 (0.24) | 10 (0.39) | ±1.1 (±0.04) | 800 (31.50) | 1000 (39.37) | ±7.0 (±0.28) |
| 10 (0.39) | 18 (0.71) | ±1.35 (±0.05) | 1000 (39.37) | 1250 (49.21) | ±8.25 (±0.32) |
| 18 (0.71) | 30 (1.18) | ±1.65 (±0.06) | 1250 (49.21) | 1600 (62.99) | ±9.75 (±0.38) |
| 30 (1.18) | 50 (1.97) | ±1.95 (±0.08) | 1600 (62.99) | 2000 (78.74) | ±11.5 (±0.45) |
| 50 (1.97) | 80 (3.15) | ±2.3 (±0.09) | 2000 (78.74) | 2500 (98.43) | ±14.0 (±0.55) |
| 80 (3.15) | 120 (4.72) | ±2.7 (±0.11) | 2500 (98.43) | 3150 (124.02) | ±16.5 (±0.65) |
| 120 (4.72) | 180 (7.09) | ±3.15 (±0.12) | | | |
| 180 (7.09) | 250 (9.84) | ±3.6 (±0.14) | | | |
| 250 (9.84) | 315 (12.40) | ±4.05 (±0.16) | | | |
| 315 (12.40) | 400 (15.75) | ±4.45 (±0.18) | | | |
| 400 (15.75) | 500 (19.69) | ±4.85 (±0.19) | | | |

Remarks: The numeric is based on criteria of standard tolerance grade IT18 in JIS B 0401-1.

■ SIZING DATA



■ ORDERING INFORMATION

Note 1: When ordering, the span flow rate, unit, output pulse weight, and totalizer display pulse weight can be specified. These parameters will be set before shipment. In the case of remote type, specify combination information of sensor and transmitter. These parameters will be set in the combined transmitter. When ordering of a remote sensor alone or a remote transmitter alone, these parameters cannot be specified. Custom configuration request is necessary for setting these parameters out of regular setting range.

Note 2: Some options, if ordered, require the relevant specifications to be input when ordering.

Note 3: For AXW4A FOUNDATION Fieldbus type remote transmitter, read general specifications (GS 01E21F02-01EN). For AXW4A EtherNet/IP type remote transmitter, read general specifications (GS 01E21F02-02EN). For AXW4A PROFIBUS PA type remote transmitter, read general specifications (GS 01E21F02-03EN). For AXG1A remote transmitter, read general specifications (GS 01E22C01-01EN). For AXFA11G remote transmitter, read general specifications (GS 01E20C01-01E). The contents and conditions of ordering informations are different.

1. Model, Suffix Code and Optional Code
2. Combination

This is necessary when ordering combination of remote sensor and transmitter. Specify the combination of a sensor and a transmitter one by one by their model name, specification code, or Tag No. etc. On the nameplate of each sensor and transmitter, the serial number of the specified combination partner is described when shipped.

3. Tag No.

The Tag No. can be specified by a combination of the characters shown in the following table.

| | | | | | | |
|-----------------------|--|--------------|---|--------------------|---|---------------------|
| Symbol | - | Hyphen-minus | . | Period | | Space (*1) |
| | _ | Underscore | = | Equal sign | + | Plus sign |
| | / | Slash | (| Left round bracket |) | Right round bracket |
| | : | Colon | # | Hash mark | ! | Exclamation mark |
| Number | 0, 1, 2, 3, 4, 5, 6, 7, 8, 9 | | | | | |
| Uppercase letter | A, B, C, D, E, F, G, H, I, J, K, L, M, N, O, P, Q, R, S, T, U, V, W, X, Y, Z | | | | | |
| Lowercase letter (*2) | a, b, c, d, e, f, g, h, i, j, k, l, m, n, o, p, q, r, s, t, u, v, w, x, y, z | | | | | |

*1: Leading and trailing space characters are deleted and left-justified, then printed on the name plate/ tag plate and written to the amplifier memory.

*2: When Communication and I/O code J# (HART communication) is specified, the lowercase letters are converted to uppercase and written to the parameter "Tag". For parameter "Long Tag", they are written in lowercase as is.

Tag No. can be "described on the nameplate and stainless steel tag plate (optional code SCT)" and "set to the memory in the transmitter". Refer to the table below for the item to be specified.

| Described/ Setting Destination | Items to be Specified | Maximum Number of Characters |
|---|---|--|
| • Name plate • Stainless steel tag plate (Optional code SCT) | TAG NO | 30 (*) |
| • Amplifier memory (Integral flowmeter and remote transmitter) | | 30 (*) There are restrictions on the write destination parameters. Read the next table. |
| | SOFTWARE TAG (Overrides "TAG NO" designation) | Read the next table |

*: For AXFA11G remote transmitter, the maximum number of characters for "TAG NO" is 16.

For integral flowmeter and remote transmitter, the characters specified by "TAG NO" are also written to the memory (parameter) in the amplifier. If it is necessary to specify a different tag number only for the amplifier memory, specify "SOFTWARE TAG". It is also possible to specify only "SOFTWARE TAG". Names of the parameter to be written and the maximum number of characters are as shown in the table below. If the number of specified characters exceed the maximum number, the characters from the beginning up to the maximum number is written.

| Tag No. in Amplifier Memory | | | |
|------------------------------|---------------------|----------------|------------------------------|
| Items to be Specified | Communication | Parameter Name | Maximum Number of Characters |
| TAG NO or SOFTWARE TAG | BRAIN | TAG NO | 16 |
| | HART | Long Tag | 32 (*) |
| | | Tag | 8 |
| | Modbus | Long Tag | 32 |
| | | Tag | 16 |
| | FOUNDATION Fieldbus | PDTag | 32 |
| | PROFIBUS PA | PB.TAG_DESC | 32 |
| | EtherNet/IP | Long Tag | 32 |
| Tag | | 16 | |

*: For AXFA11G remote transmitter, the maximum number of characters for "TAG NO" is 16. And as its HART protocol is HART 5, the "Long Tag" is not available.

4. Range and Unit of Flowrate Span

Specify the range of span flow rate in the range of 0.0001 to 99999900000.0000 (the number of significant digits in operation is the upper six digits). Up to four digits below the decimal point that can be specified (by 0.0001 unit). However, if the transmitter is BRAIN communication type, specify so that it is within the range of 0.0001 to 32000, it is up to four digits below the decimal point when it is included, and the numerical value excluding the decimal point is within 32000.

Specify units in the unit described in "Flow Calculation Function". This span flow rate is set to the positive first range. Be sure to specify the range and unit of flowrate span when selecting the Mass Unit Setting (optional code MU), or Specified Span Five-point Calibration (optional code SC). When selecting the NAMUR NE21 (optional code E21), specify the span flow rate of 0.5 m/s or more in terms of flow velocity.

Unless specified, it is set as the following when shipped.

- Integral Flowmeter, or combined with AXW4A or AXG1A Remote Transmitter span flow rate (unit m³/h) equivalent to flow velocity 1 m/s
- Combined with AXFA11 Remote Transmitter flow velocity 1 m/s

The measurement flow range (minimum and maximum of span flow rate) is shown below (in the case of flow rate unit m³/h and GPM). Specify the span flow within this range. The range specifying different unit must also fall into the same flow rate (flow velocity) range after conversion.

Measurable Flow Rate Range

- (1) Integral Flowmeter, or combined with AXW4A or AXG1A Remote Transmitter

SI Units (Size: mm, Flow rate: m³/h)

| Size (mm) | 0 to Min. Span Flow Rate | 0 to Min. Span Flow Rate | 0 to Max. Span Flow Rate |
|-----------|-----------------------------|-----------------------------|----------------------------|
| | m ³ /h (0.1 m/s) | m ³ /h (0.5 m/s) | m ³ /h (10 m/s) |
| 25 | 0 to 0.1768 | 0 to 0.8836 | 0 to 17.6714 |
| 32 | 0 to 0.2896 | 0 to 1.4477 | 0 to 28.9529 |
| 40 | 0 to 0.4524 | 0 to 2.2620 | 0 to 45.2389 |
| 50 | 0 to 0.7069 | 0 to 3.5343 | 0 to 70.6858 |
| 65 | 0 to 1.1946 | 0 to 5.9730 | 0 to 119.459 |
| 80 | 0 to 1.8096 | 0 to 9.0478 | 0 to 180.955 |
| 100 | 0 to 2.8275 | 0 to 14.1372 | 0 to 282.743 |
| 125 | 0 to 4.4179 | 0 to 22.0894 | 0 to 441.786 |
| 150 | 0 to 6.3618 | 0 to 31.8087 | 0 to 636.172 |
| 200 | 0 to 11.3098 | 0 to 56.5487 | 0 to 1130.97 |
| 250 | 0 to 17.6715 | 0 to 88.3573 | 0 to 1767.14 |
| 300 | 0 to 25.4470 | 0 to 127.235 | 0 to 2544.69 |
| 350 | 0 to 34.6361 | 0 to 173.181 | 0 to 3463.60 |
| 400 | 0 to 45.2390 | 0 to 226.195 | 0 to 4523.89 |

English Units (Size: in., Flow rate: GPM)

| Size (in.) | 0 to Min. Span Flow Rate | 0 to Min. Span Flow Rate | 0 to Max. Span Flow Rate |
|------------|--------------------------|--------------------------|--------------------------|
| | GPM (0.33 ft/s) | GPM (1.64 ft/s) | GPM (33 ft/s) |
| 1 | 0 to 0.7781 | 0 to 3.8903 | 0 to 77.8050 |
| 1.25 | 0 to 1.2748 | 0 to 6.3738 | 0 to 127.475 |
| 1.5 | 0 to 1.9919 | 0 to 9.9591 | 0 to 199.181 |
| 2 | 0 to 3.1123 | 0 to 15.5611 | 0 to 311.220 |
| 2.5 | 0 to 5.2597 | 0 to 26.2982 | 0 to 525.962 |
| 3 | 0 to 7.9673 | 0 to 39.8363 | 0 to 796.724 |
| 4 | 0 to 12.4489 | 0 to 62.2441 | 0 to 1244.88 |
| 5 | 0 to 19.4513 | 0 to 97.2564 | 0 to 1945.12 |
| 6 | 0 to 28.0099 | 0 to 140.049 | 0 to 2800.98 |
| 8 | 0 to 49.7953 | 0 to 248.977 | 0 to 4979.52 |
| 10 | 0 to 77.8051 | 0 to 389.026 | 0 to 7780.5 |
| 12 | 0 to 112.040 | 0 to 560.197 | 0 to 11203.9 |
| 14 | 0 to 152.498 | 0 to 762.490 | 0 to 15249.7 |
| 16 | 0 to 199.182 | 0 to 995.906 | 0 to 19918.1 |

- (2) Combined with AXFA11 Remote Transmitter

SI Units (Size: mm, Flow rate: m³/h)

| Size (mm) | 0 to Min. Span Flow Rate | 0 to Max. Span Flow Rate |
|-----------|-----------------------------|----------------------------|
| | m ³ /h (0.1 m/s) | m ³ /h (10 m/s) |
| 25 | 0 to 0.1768 | 0 to 17.671 |
| 32 | 0 to 0.2896 | 0 to 28.952 |
| 40 | 0 to 0.4524 | 0 to 45.23 |
| 50 | 0 to 0.7069 | 0 to 70.68 |
| 65 | 0 to 1.1946 | 0 to 119.45 |
| 80 | 0 to 1.8096 | 0 to 180.95 |
| 100 | 0 to 2.8275 | 0 to 282.74 |
| 125 | 0 to 4.418 | 0 to 441.7 |
| 150 | 0 to 6.362 | 0 to 636.1 |
| 200 | 0 to 11.310 | 0 to 1130.9 |
| 250 | 0 to 17.672 | 0 to 1767.1 |
| 300 | 0 to 25.447 | 0 to 2544.6 |
| 350 | 0 to 34.64 | 0 to 3463 |
| 400 | 0 to 45.24 | 0 to 4523 |

English Units (Size: in., Flow rate: GPM)

| Size (in.) | 0 to Min. Span Flow Rate | 0 to Max. Span Flow Rate |
|------------|--------------------------|--------------------------|
| | GPM (0.33 ft/s) | GPM (33 ft/s) |
| 1 | 0 to 0.7781 | 0 to 77.80 |
| 1.25 | 0 to 1.216 | 0 to 121.5 |
| 1.5 | 0 to 1.751 | 0 to 175.0 |
| 2 | 0 to 3.113 | 0 to 311.2 |
| 2.5 | 0 to 4.863 | 0 to 486.2 |
| 3 | 0 to 7.003 | 0 to 700.2 |
| 4 | 0 to 12.45 | 0 to 1244 |
| 5 | 0 to 19.46 | 0 to 1945 |
| 6 | 0 to 28.01 | 0 to 2800 |
| 8 | 0 to 49.80 | 0 to 4979 |
| 10 | 0 to 77.81 | 0 to 7780 |
| 12 | 0 to 112.1 | 0 to 11203 |
| 14 | 0 to 152.5 | 0 to 15249 |
| 16 | 0 to 199.2 | 0 to 19918 |

5. Output Pulse Weight (Pulse Status Output 1)

Specify the volume flow per pulse, after specifying the span flow rate. This output pulse weight is set to the Pulse Status Output 1. For unit, specify "unit/p" which means "(the same unit as the flow rate span)/p".

(Example: When "m³" is selected for "Span Flow Rate", specify "m³/p (= unit/p)" as pulse weight unit.)

The specifiable numerical digit and range is the same as that for "4. Range and Unit of Flowrate Span

Unless specified, it is set as the following when shipped.

- Integral Flowmeter, or combined with AXW4A or AXG1A Remote Transmitter 0 [span unit/p]
- Combined with AXFA11 Remote Transmitter 0 pulse/s

Not applicable for EtherNet/IP communication type.

6. Totalizer Display Pulse Weight (Totalizer 1)

Specify the volume flow per pulse, after specifying the span flow rate. This totalizer display pulse weight is set to the Totalizer 1. For unit, specify "unit/p" which means "(the same unit as the flow rate span)/p".

(Example: When "m³" is selected for "Span Flow Rate", specify "m³/p (= unit/p)" as totalizer display pulse weight unit.)

The specifiable numerical digit and range is the same as that for "4. Range and Unit of Flowrate Span

Unless specified, it is set as the following when shipped.

- Integral Flowmeter, or combined with AXW4A or AXG1A Remote Transmitter 1 [span unit/p]
- Combined with AXFA11 Remote Transmitter 0 pulse/s

7. Mass Unit (optional code MU)

The flow rate calculation is performed in mass unit. In addition to fluid density, specify span flow rate, output pulse weight, and totalizer display pulse weight in mass unit.

The specifiable numerical digit and range is the same as that for "4. Range and Unit of Flowrate Span

(1) Density

Numerical Value:

Specify within six digits (up to three digits below the decimal point) in the range of 500 to 2000 kg/m³ (4.2 to 16.7 lb/gal, 31.2 to 124.8 lb/cf). If BRAIN communication type is selected, specify so that the numerical value excluding the decimal point is within 32000.

Unit:

kg/m³, lb/gal, lb/cf

The density of water is about 1000 kg/m³. Then specify "1000 kg/m³" in this case.

However, as the density varies with temperature, specify the density at the time of flow measurement.

(2) Span Flow Rate

Numerical Value:

When setting the mass span flow rate, calculate the volume span flow rate from the "density" and it must be within the measurable flow rate range. The settable numerical range for the mass span flow rate is the same as that for the volume span flow rate.

Unit:

Mass Unit: t, kg, g, klb, lb

Time Unit: /d, /h, /min, /s

(3) Output Pulse Weight, Totalizer Display Pulse Weight

Set the value with the same unit as that for the mass span flow rate.

8. Specified Span Five-point Calibration (optional code SC)

A flow test at the five points around 0, 25, 50, 75, 100% of the customer specified span is performed. In the test certificate (QIC), the result for the customer specified span is recorded instead of that for the standard flow rate of 2 m/s (6.56 ft/s). Corresponding flow velocity of the selectable span lies between 0.5 to 10 m/s (1.64 to 33 ft/s) or 0.8 to 10 m/s (2.62 to 33 ft/s). The latter is applied when the size is 32, 65, or 125 mm (1.25, 2.5, or 5 in.). It is also limited by the capacity of our flow test facility. Specify it within the following range. The specifiable numerical digit and range is the same as that for "4. Range and Unit of Flowrate Span

Selectable Range of Span Flow Rate

SI Units (Size: mm, Flow rate: m³/h)

| Size (mm) | Min. Span Flow Rate | Max. Span Flow Rate |
|-----------|-------------------------|-------------------------|
| | m ³ /h (m/s) | m ³ /h (m/s) |
| 25 | 0.89 (0.5) | 11.0 (6.22) |
| 32 | 2.32 (0.8) | 28.9 (9.98) |
| 40 | 2.27 (0.5) | 28.0 (6.19) |
| 50 | 3.54 (0.5) | 56.0 (7.92) |
| 65 | 9.56 (0.8) | 80.0 (6.70) |
| 80 | 9.05 (0.5) | 126 (6.96) |
| 100 | 14.2 (0.5) | 190 (6.72) |
| 125 | 35.4 (0.8) | 300 (6.79) |
| 150 | 31.9 (0.5) | 380 (5.97) |
| 200 | 56.6 (0.5) | 670 (5.92) |
| 250 | 88.4 (0.5) | 1000 (5.66) |
| 300 | 128 (0.5) | 1200 (4.72) |
| 350 | 174 (0.5) | 1200 (3.46) |
| 400 | 227 (0.5) | 1350 (2.98) |

English Units (Size: in., Flow rate: GPM)

| Size (in.) | Min. Span Flow Rate | Max. Span Flow Rate |
|------------|---------------------|---------------------|
| | GPM (ft/s) | GPM (ft/s) |
| 1 | 3.8903 (1.64) | 48.4315 (20.4) |
| 1.25 | 10.1981 (2.62) | 127.242 (32.7) |
| 1.5 | 9.9591 (1.64) | 123.280 (20.3) |
| 2 | 15.5611 (1.64) | 246.560 (25.9) |
| 2.5 | 42.0770 (2.62) | 352.229 (21.9) |
| 3 | 39.8363 (1.64) | 554.761 (22.8) |
| 4 | 62.2441 (1.64) | 836.544 (22.0) |
| 5 | 156.052 (2.62) | 1320.86 (22.2) |
| 6 | 140.050 (1.64) | 1673.08 (19.5) |
| 8 | 248.977 (1.64) | 2949.92 (19.4) |
| 10 | 389.026 (1.64) | 4402.86 (18.5) |
| 12 | 560.197 (1.64) | 5283.44 (15.4) |
| 14 | 762.490 (1.64) | 5283.44 (11.3) |
| 16 | 995.906 (1.64) | 5943.87 (9.78) |

9. Direction of Cable Entry (optional code RH)

Rotate the transmitter of integral flowmeter or the terminal box of remote sensor and change the direction of the cable entry. See the table below and specify either +90, +180, or -90 degree. When the direction of cable entry is not changed, optional code RH is not necessary.

| | Direction of Cable Entry | | | |
|--------------------|--------------------------|---------------------|----------------------|---------------------|
| | Standard (0 degree) | +90 degree rotation | +180 degree rotation | -90 degree rotation |
| Integral Flowmeter | | | | |
| Remote Sensor | | | | |

10. Direction of Display

When the specification "With Display" is selected for the integral flowmeter or the remote transmitter, specify direction of the display. For the integral flowmeter, specify according to the horizontal or vertical direction of the installation piping. For the remote transmitter, specify according to the positional relation of mounting bracket or mounting pipe.

| | Direction of Display | | Without Display |
|--------------------|----------------------|----------|-----------------|
| | Horizontal | Vertical | |
| Integral Flowmeter | | | |
| Remote Transmitter | | | |

11. Fluid Name

12. Modbus Protocol parameters

Specify the following parameters for Modbus communication.

| Parameter to be specified | Selectable value |
|---------------------------|--|
| Baud rate [bps] | 1200, 2400, 4800, 9600, 19200*, 38400, 57600, 115200 |
| Stop bit | 1 bit*, 2 bits |
| Parity bit | Odd, Even*, None |
| Slave address | 1* to 247 (decimal value.) |

*: Factory default setting. If the parameter is not specified at ordering, these settings are applied to the parameter for Modbus communication.

13. EtherNet/IP communication parameters

The following parameters can be set at factory.

| Parameter to be specified | Value |
|---------------------------|------------------|
| DHCP enable | Disable*, Enable |
| IP address | 192.168.1.210* |
| Subnet mask | 255.255.255.0* |
| Default gateway | (empty)* |

*: Factory default setting. If the parameter is not specified at ordering, these settings are applied to the parameter for EtherNet/IP communication.

■ RELATED INSTRUMENTS

| Product | Document Number |
|--|------------------|
| AM012 Calibrator for Magnetic Flowmeter | GS 1E6K2-E |
| BT200 BRAIN TERMINAL | GS 01C00A11-00EN |
| AXFA11G Magnetic Flowmeter Remote Converter | GS 01E20C01-01E |
| AXG1A Magnetic Flowmeter Remote Transmitter | GS 01E22C01-01EN |
| Magnetic Flowmeter CA Series | GS 01E40A01-01EN |
| ADMAG CA Capacitance Magnetic Flowmeter | GS 01E08B01-00E |
| FieldMate Versatile Device Management Wizard | GS 01R01A01-01E |
| ADMAG TI Series AXG Magnetic Flowmeter | GS 01E22A01-01EN |
| ADMAG TI Series AXW Magnetic Flowmeter [Size: 500 to 1800 mm (20 to 72 in.)] | GS 01E25D11-01EN |
| ADMAG TI Series FOUNDATION Fieldbus | GS 01E21F02-01EN |
| ADMAG TI Series EtherNet/IP | GS 01E21F02-02EN |
| ADMAG TI Series PROFIBUS PA | GS 01E21F02-03EN |
| FSA130 ADMAG TI Verification Tool | GS 01E21A04-01EN |

■ REFERENCE STANDARD

Design and Test on Magnetic Flowmeters:

JIS B 7554(1997), ISO 20456(2017),
NAMUR NE70(2006), ASME MFC-16-2014

■ SECURITY

For EtherNet/IP communication type

The device can be supported as a range of warranty only when the device is installed and used in Control and Field network.

Operator must have the responsible for IT security of equipment that is connected with the device, and this device must not connect with IT network.

In addition, parameter configuration can be locked by hardware switch.

■ TRADEMARKS

HART is a registered trademark of FieldComm Group.

Viton is a registered trademark of DuPont.

Modbus is a registered trademark of AEG Schneider.

"FOUNDATION" in "FOUNDATION Fieldbus" is a registered trademark of FieldComm Group.

PROFIBUS is a registered trademark of Profibus Nutzerorganisation e.v., Karlsruhe, Germany.

"EtherNet/IP", "CIP" and "ODVA" are trademarks or registered trademarks of ODVA Inc.

Det Norske Veritas is a registered trademark of Det Norske Veritas Group.

ADMAG, AXG, AXW, BRAIN TERMINAL, and FieldMate are registered trademarks of Yokogawa Electric Corporation.

All other company and product names mentioned in this document are trade names, trademarks or registered trademarks of their respective companies.

In this document, trademarks or registered trademarks are not marked with TM or [®].

Note: The terms "transmitter" and "sensor" in this document are used in the same manner as "converter" and "flowtube" respectively which are used for our previous Magnetic Flowmeter models.

<Information on EU WEEE Directive>

EU WEEE (Waste Electrical and Electronic Equipment) Directive is only valid in the EU.

This instrument is intended to be sold and used only as a part of equipment which is excluded from WEEE

Directive, such as large-scale stationary industrial tools, a large-scale fixed installation and so on, and, therefore, subjected to the exclusion from the scope of the WEEE Directive. The instrument should be disposed of in accordance with local and national legislation/regulations.