

EL-Flow Base

Termisk massflödesregulator för gaser från Bronkhorst High-Tech

Reglerar från 0,2 ml/min till 200 l/min

Enkel

- Mäter alltid rätt flöde oavsett tryck och temperatur
- Snabb respons, 1-2 s.
- Inga krav på raksträckor
- Okänslig för vibrationer
- Temperaturer från 0 till +50°C
- Analogt bör- och ärvärde
- RS232 och Modbus RS485
- Lab-version

Ekonomisk

- Enkelt montage
- Medieberörda delar i SS316L
- Klarar tryck upp till 10 bar
- RS232 och Modbus RTU (RS485)

Noggrann

- +/- 1% full skala



OmniProcess AB

Vretenvägen 12, 171 54 Solna, 08-564 808 40
www.omniprocess.se

> Technical specifications

Performance

Accuracy (incl. linearity) (based on actual calibration)	: $\pm 1\%$ FS
Repeatability	: $< 0,2\%$ Rd
Settling time (controller)	: approx. 1 second
Control stability	: $< \pm 0,1\%$ FS (typical for 1 l _r /min N ₂)
Turndown	: 1 : 50 (2...100%)
Operating pressure	: 0...10 bar(g)
Operating temperature	: F-201CB/AB : 0...50°C; F-202BB : 10...50°C
Temperature sensitivity	: zero: $< 0,1\%$ FS/°C; span: $< 0,1\%$ Rd/°C
Warm-up time	: 30 min. for optimum accuracy
Leak integrity, outboard	: tested $< 2 \times 10^{-9}$ mbar l/s He
Control valve	: normally closed solenoid valve, F-201CB/F-201AB: Kv-max = $6,6 \times 10^{-2}$ F-202BB: Kv-max = $3,5 \times 10^{-1}$

Mechanical parts

Material (wetted parts)	: Stainless Steel 316 or equivalent
Seals	: standard: Viton®; option: Kalrez® (FFKM)
Process connections	: 1/4" BSPP female thread; optional accessories: compression type or face seal couplings in various inch or metric sizes

Electrical properties

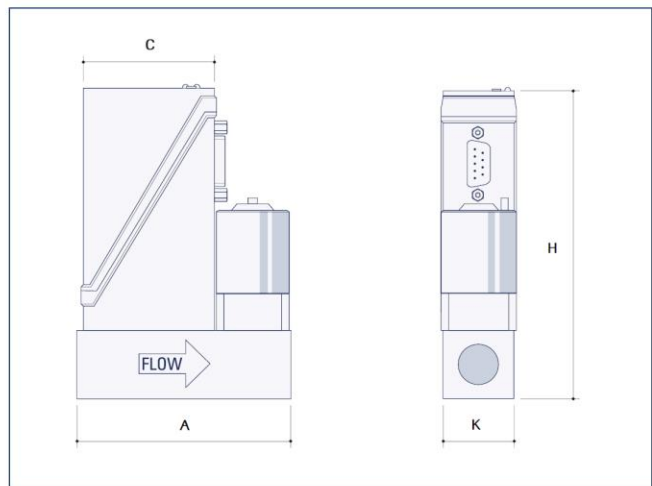
Power supply	: +15...24 Vdc
Power consumption	: max. 320 mA
Analog output/command	: 0...5 (10) Vdc or 0 (4)...20 mA (sourcing output)
Digital communication	: RS232 or Modbus-RTU (RS485)
Electrical connection	: 9-pin D-connector (male)
EMC	: CE declaration
Ingress protection (housing)	: IP40

Technical specifications subject to change without notice.



EL-FLOW® Base model F-201AB Mass Flow Controller

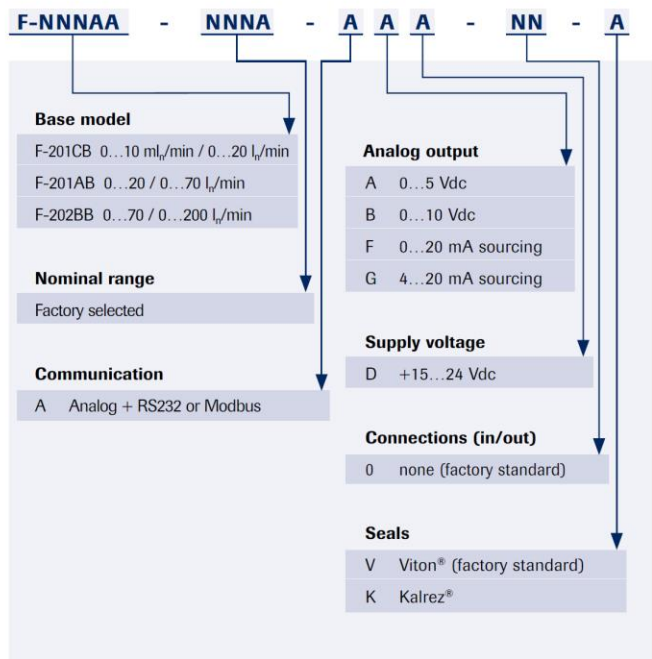
> Dimensions and weights



Model	A	C	K	H	Weight (kg)
F-201CB	77	47	25	111	0,5
F-201AB	78	47	26	123	0,6
F-202BB	112	47	59	160	2,3

Dimensions in mm

> Model number identification



> Warranty

All instruments and accessories are warranted for a period of 3 years from delivery date.