

MIO - 1" PULSE METERS

The MIO is the medium capacity meter in the M Series range. It has the ability to handle a wide range of fluid viscosities with exceptional levels of repeatability and durability.



MIOARP-1

Product Benefits

- Compact size.
- Two independent pulse units which can be linked to allow doubling of the pulse output.
- Flexibility of installation options (e.g. can be mounted horizontally or vertically; no flow conditioning required).
- Low pressure drop allows for economical pump selection or gravity flow applications.
- Meter construction enables fast and easy on-site servicing without removal from application.
- Meter design minimises the number of wearable and replaceable parts and extends product life.
- Meter accuracy is verified by a factory calibration check after which an individual metrology report is issued.
- Has IP66/NEMA6 protection and Flameproof Certification.
- Will handle particle sizes to 0.28mm/0.011".

STANDARDS AUSTRALIA



MODEL	MIOARP-X	MIOASP-X	MIOSRP-X	MIOSSP-X	MIOBRP-X
METER TYPE	PULSE	PULSE	PULSE	PULSE	PULSE
METER BODY MATERIAL	AA601 ALUMINIUM	AA601 ALUMINIUM	316 STAINLESS STEEL	316 STAINLESS STEEL	BRONZE
WETTED COMPONENTS: ROTOR MATERIAL SHAFTS O-RING	PPS 316 STAINLESS STEEL NBR (NITRILE)	316 STAINLESS STEEL 316 STAINLESS STEEL NBR (NITRILE)	PPS 316 STAINLESS STEEL NBR (NITRILE)	316 STAINLESS STEEL 316 STAINLESS STEEL NBR (NITRILE)	PPS 316 STAINLESS STEEL NBR (NITRILE)
FLOW RATE RANGES (litres per minute/ US gallons per minute) ABOVE 5 CPS BELOW 5 CPS	6 to 120 / 1.6 to 32 10 to 100 / 2.6 to 26	6 to 120 / 1.6 to 32 10 to 100 / 2.6 to 26	6 to 120 / 1.6 to 32 10 to 100 / 2.6 to 26	6 to 120 / 1.6 to 32 10 to 100 / 2.6 to 26	6 to 120 / 1.6 to 32 10 to 100 / 2.6 to 26
ACCURACY- WITHIN (OF READING)	+/- 0.5%	+/- 0.5%	+/- 0.5%	+/- 0.5%	+/- 0.5%
REPEATABILITY	0.03%	0.03%	0.03%	0.03%	0.03%
MAXIMUM VISCOSITY (OF STANDARD MODEL)	1000 Centipoise	1000 Centipoise	1000 Centipoise	1000 Centipoise	1000 Centipoise
MAXIMUM OPERATING PRESSURE	5500kPa/ 800 PSI/ 55 BAR OR FLANGE RULE WHERE FITTED				
PULSER TYPE	HALL EFFECT OR REED SWITCH OR COMBINATION HE / RS	HALL EFFECT OR REED SWITCH OR COMBINATION HE / RS	HALL EFFECT OR REED SWITCH OR COMBINATION HE / RS	HALL EFFECT OR REED SWITCH OR COMBINATION HE / RS	HALL EFFECT OR REED SWITCH OR COMBINATION HE / RS
PULSES PER LITRE/ US GALLON	36 OR 72 /136.3 OR 272.6	36 OR 72 /136.3 OR 272.6	36 OR 72 /136.3 OR 272.6	36 OR 72 /136.3 OR 272.6	36 OR 72 /136.3 OR 272.6
MAX. OPERATING TEMPERATURE	80°C / 176°F	120°C / 248°F	80°C / 176°F	120°C / 248°F	80°C / 176°F
RECOMMENDED MESH STRAINER SIZE	60 MESH	60 MESH	60 MESH	60 MESH	60 MESH

Port Size To order flowmeter you must replace 'X' with the relevant number. This number will determine the following specifications:

Port Size:

- 1 = 1" BSP (F) ports
- 2 = 1" NPT (F) ports
- 3 = 1" ANSI 150lb Flange
- 4 = 1" ANSI 150lb Flange
- 5 = 25mm DIN 16 Flange
- 6 = 1" Triclover Flange
- 7 = 1" Triclover Flange

Electrical Conduit Connection:

- 20mm (F)
- 1/2" NPT (F)
- 20mm (F)
- 1/2" NPT (F)
- 20mm (F)
- 20mm (F)
- 1/2" NPT (F)

Calibrated and Display In:

- Litres
- US Gallons
- Litres
- US Gallons
- Litres
- Litres
- US Gallons

PPS = Polyphenylene Sulfide Resins

Bronze = Available in 1 or 2 port configuration only



MIO - 1" PULSE METERS

TYPE MIO - 1" PULSE METERS

Weights

MODEL	MIOARP-1	MIOARP-2	MIOARP-3	MIOARP-4	MIOARP-5		
WEIGHT	2.1kg/4.62lbs	2.1kg/4.62lbs	3kg/6.6lbs	3kg/6.6lbs	3kg/6.6lbs		
MODEL	MIOSRP-1	MIOSRP-2	MIOSRP-3	MIOSRP-4	MIOSRP-5	MIOSRP-6	MIOSRP-7
WEIGHT	3.9kg/8.58lbs	3.9kg/8.58lbs	4.9kg/10.78lbs	4.9kg/10.78lbs	4.9kg/10.78lbs	4.9kg/10.78lbs	4.9kg/10.78lbs
MODEL	MIOSSP-1	MIOSSP-2	MIOSSP-3	MIOSSP-4	MIOSSP-5	MIOSSP-6	MIOSSP-7
WEIGHT	4kg/8.8lbs	4kg/8.8lbs	5kg/11lbs	5kg/11lbs	5kg/11lbs	4.2kg/9.24lbs	4.2kg/9.24lbs
MODEL	MIOBRP-1	MIOBRP-2	MIOASP-1	MIOASP-2			
WEIGHT	4.9kg/10.78lbs	4.9kg/10.78lbs	2.2kg/4.85lbs	2.2kg/4.85lbs			

Options & Accessories

MIO - 1" METER	VITON O-RING	TEFLON O-RING	EPDM O-RING	HIGH TEMP ROTORS	HIGH VISCOSITY ROTORS	HALL EFFECT SENSOR	REED SWITCH	SOLVENT KIT	HASTALLOY C SHAFTS	PROTECTIVE BOOT	EXTENDED LIFE BATTERY	REMOTE MOUNTED LC DISPLAY	HEATING JACKET	4-20mA MODULE
M10ARP-X	O	O	O	O	O	O	S	X	X	X	X	A	A	A
M10ASP-X	O	O	O	S	O	O	S	X	X	X	X	A	A	A
M10SRP-X	O	O	O	O	O	O	S	X	X	X	X	A	A	A
M10SSP-X	O	O	O	S	O	O	S	X	X	X	X	A	A	A
M10BRP-X	O	O	O	O	O	O	S	X	X	X	X	A	A	A

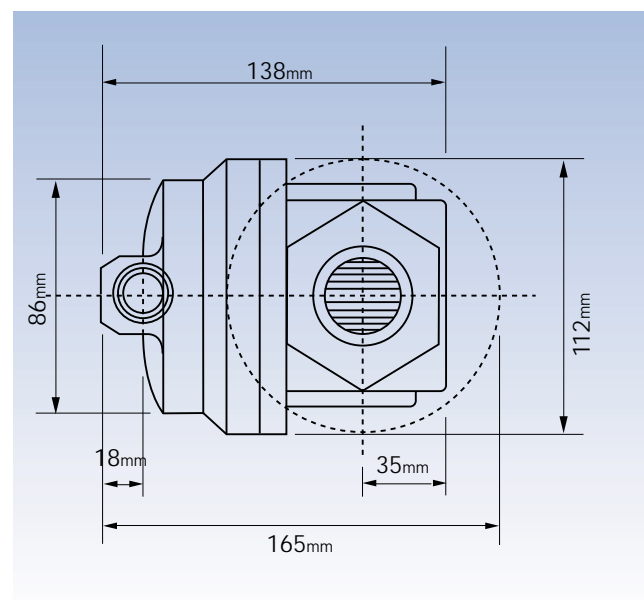
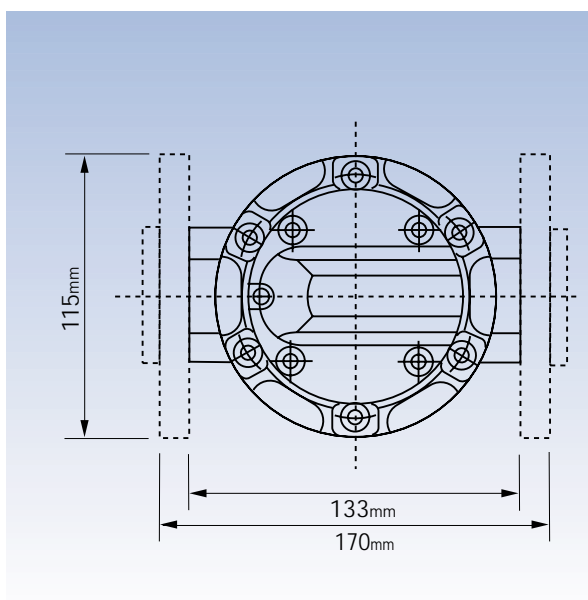
S = Standard

O = Optional

X = Not Available

A = Accessory

Dimensions



MIO - 1" PULSE METERS WITH STANDARD LC DISPLAY

The MIO is the medium capacity meter in the M Series range. It has the ability to handle a wide range of fluid viscosities with exceptional levels of repeatability and durability.



MIOARG-3

Product Benefits

- Compact size.
- Flexibility of installation options (e.g. can be mounted horizontally or vertically; no flow conditioning required).
- Built in auxiliary pulse output available.
- Low pressure drop allows for economical pump selection or gravity flow applications.
- Meter construction enables fast and easy on-site servicing without removal from application.
- Meter accuracy is verified by a factory calibration check after which an individual metrology report is issued.
- LC Display meets European CE directive.
- Meter design minimises the number of wearable and replaceable parts and extends product life.
- Has IP54/NEMA13 protection.
- Will handle particle sizes to 0.28mm/0.011".

MODEL	MIOARG-X	MIOASG-X	MIOSRG-X	MIOSSG-X	MIOBRG-X
METER TYPE	PULSE WITH STANDARD LC DISPLAY	PULSE WITH STANDARD LC DISPLAY	PULSE WITH STANDARD LC DISPLAY	PULSE WITH STANDARD LC DISPLAY	PULSE WITH STANDARD LC DISPLAY
METER BODY MATERIAL	AA601 ALUMINIUM	AA601 ALUMINIUM	316 STAINLESS STEEL	316 STAINLESS STEEL	BRONZE
WETTED COMPONENTS: ROTOR MATERIAL SHAFTS O-RING	PPS 316 STAINLESS STEEL NBR (NITRILE)	316 STAINLESS STEEL 316 STAINLESS STEEL NBR (NITRILE)	PPS 316 STAINLESS STEEL NBR (NITRILE)	316 STAINLESS STEEL 316 STAINLESS STEEL NBR (NITRILE)	PPS 316 STAINLESS STEEL NBR (NITRILE)
FLOW RATE RANGES (litres per minute/ US gallons per minute) ABOVE 5 CPS BELOW 5 CPS	6 to 120 / 1.6 to 32 10 to 100 / 2.6 to 26	6 to 120 / 1.6 to 32 10 to 100 / 2.6 to 26	6 to 120 / 1.6 to 32 10 to 100 / 2.6 to 26	6 to 120 / 1.6 to 32 10 to 100 / 2.6 to 26	6 to 120 / 1.6 to 32 10 to 100 / 2.6 to 26
ACCURACY- WITHIN (OF READING)	+/- 0.5%	+/- 0.5%	+/- 0.5%	+/- 0.5%	+/- 0.5%
REPEATABILITY	0.03%	0.03%	0.03%	0.03%	0.03%
MAXIMUM VISCOSITY (OF STANDARD MODEL)	1000 Centipoise	1000 Centipoise	1000 Centipoise	1000 Centipoise	1000 Centipoise
MAXIMUM OPERATING PRESSURE	5500kPa/ 800 PSI/ 55 BAR OR FLANGE RULE WHERE FITTED				
PULSER TYPE	REED SWITCH OR COMBINATION HE / RS	REED SWITCH OR COMBINATION HE / RS	REED SWITCH OR COMBINATION HE / RS	REED SWITCH OR COMBINATION HE / RS	REED SWITCH OR COMBINATION HE / RS
PULSES PER LITRE/ US GALLON	36 /136.3	36 /136.3	36 /136.3	36 /136.3	36 /136.3
MAX. OPERATING TEMPERATURE	80°C / 176°F	120°C / 248°F	80°C / 176°F	120°C / 248°F	80°C / 176°F
RECOMMENDED MESH STRAINER SIZE	60 MESH	60 MESH	60 MESH	60 MESH	60 MESH

Port Size To order flowmeter you must replace 'X' with the relevant number. This number will determine the following specifications:

Port Size:

- 1 = 1" BSP (F) ports
- 2 = 1" NPT (F) ports
- 3 = 1" ANSI 150lb Flange
- 4 = 1" ANSI 150lb Flange
- 5 = 25mm DIN 16 Flange
- 6 = 1" Triclover Flange
- 7 = 1" Triclover Flange

Calibrated and Display In:

- Litres
- US Gallons
- Litres
- US Gallons
- Litres
- Litres
- US Gallons

PPS = Polyphenylene Sulfide Resins

Bronze = Available in 1 or 2 port configuration only



MIO - 1" PULSE METERS WITH STANDARD LC DISPLAY

TYPE MIO - 1" PULSE METERS

Weights

MODEL	MIOARG-1	MIOARG-2	MIOARG-3	MIOARG-4	MIOARG-5	MIOASG-1	MIOASG-2
WEIGHT	2.1kg/4.63lbs	2.1kg/4.63lbs	2.3kg/5.07lbs	2.3kg/5.07lbs	2.3kg/5.07lbs	2.2kg/4.65lbs	2.2kg/4.65lbs
MODEL	MIOSRG-1	MIOSRG-2	MIOSRG-3	MIOSRG-4	MIOSRG-5	MIOSRG-6	MIOSRG-7
WEIGHT	4.5kg/9.9lbs	4.5kg/9.9lbs	5.3kg/11.66lbs	5.3kg/11.66lbs	5.3kg/11.66lbs	4.5kg/9.9lbs	4.5kg/9.9lbs
MODEL	MIOSSG-1	MIOSSG-2	MIOSSG-3	MIOSSG-4	MIOSSG-5	MIOSSG-6	MIOSSG-7
WEIGHT	4.7kg/10.34lbs	4.7kg/10.34lbs	5.5kg/12.10lbs	5.5kg/12.10lbs	5.5kg/12.10lbs	4.7kg/10.34lbs	4.7kg/10.34lbs
MODEL	MIOBRG-1	MIOBRG-2					
WEIGHT	4.9kg/10.78lbs	4.9kg/10.78lbs					

Options & Accessories

MIO - 1" METER STD LC DISPLAY	VITON O-RING	TEFLON O-RING	EPDM O-RING	HIGH TEMP ROTORS	HIGH VISCOSITY ROTORS	HALL EFFECT SENSOR	REED SWITCH	SOLVENT KIT	HASTALLOY C SHAFTS	PROTECTIVE BOOT	EXTENDED LIFE BATTERY	REMOTE MOUNTED LC DISPLAY	HEATING JACKET	4-20mA MODULE
M10ARG-X	O	O	O	O	O	O	S	X	X	X	X	A	A	A
M10ASG-X	O	O	O	S	O	O	S	X	X	X	X	A	A	A
M10SRG-X	O	O	O	O	O	O	S	X	X	X	X	A	A	A
M10SSG-X	O	O	O	S	O	O	S	X	X	X	X	A	A	A
M10BRG-X	O	O	O	O	O	O	S	X	X	X	X	A	A	A

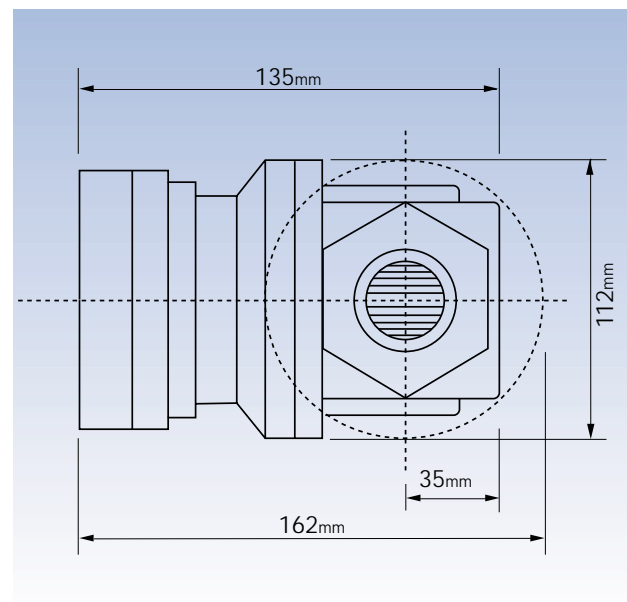
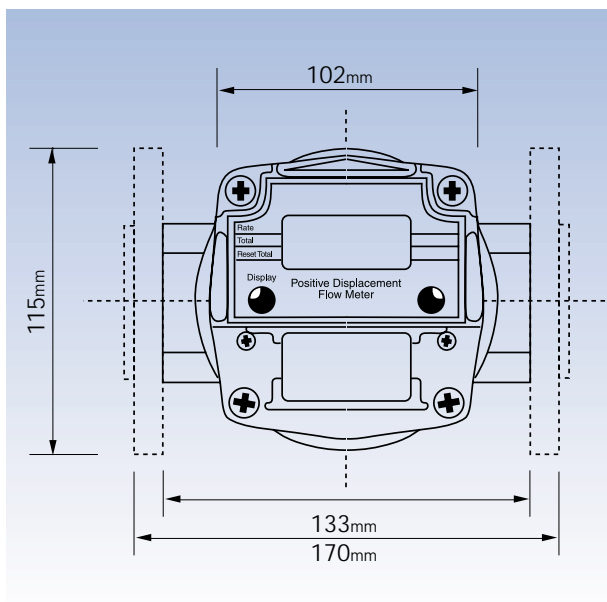
S = Standard

O = Optional

X = Not Available

A = Accessory

Dimensions



MIO - 1" PULSE METERS WITH DELUXE LC DISPLAY

The MIO is the medium capacity meter in the M Series range. It has the ability to handle a wide range of fluid viscosities with exceptional levels of repeatability and durability.



MIOSRE-1

Product Benefits

- Compact size.
- Flexibility of installation options (e.g. can be mounted horizontally or vertically; no flow conditioning required).
- Built in auxiliary pulse output available.
- LC Display meets European CE directive.
- Meter construction enables fast and easy on-site servicing without removal from application.
- Meter accuracy is verified by a factory calibration check after which an individual metrology report is issued.
- Will handle particle sizes to 0.28mm/0.011".
- Has IP54/NEMA13 protection.
- Intrinsically safe LC Display. Certificate of conformity number PTB Nr. Ex-93.C.4033x
- Low pressure drop allows for economical pump selection or gravity flow applications.
- Meter design minimises the number of wearable and replaceable parts and

MODEL	MIOARE-X	MIOASE-X	MIOSRE-X	MIO SSE-X	MIOBRE-X
METER TYPE	PULSE WITH DELUXE LC DISPLAY	PULSE WITH DELUXE LC DISPLAY	PULSE WITH DELUXE LC DISPLAY	PULSE WITH DELUXE LC DISPLAY	PULSE WITH DELUXE LC DISPLAY
METER BODY MATERIAL	AA601 ALUMINIUM	AA601 ALUMINIUM	316 STAINLESS STEEL	316 STAINLESS STEEL	BRONZE
WETTED COMPONENTS:					
ROTOR MATERIAL	PPS	316 STAINLESS STEEL	PPS	316 STAINLESS STEEL	PPS
SHAFTS	316 STAINLESS STEEL	316 STAINLESS STEEL	316 STAINLESS STEEL	316 STAINLESS STEEL	316 STAINLESS STEEL
O-RING	NBR (NITRILE)	NBR (NITRILE)	NBR (NITRILE)	NBR (NITRILE)	NBR (NITRILE)
FLOW RATE RANGES (litres per minute/ US gallons per minute)					
ABOVE 5 CPS	6 to 120 / 1.6 to 32	6 to 120 / 1.6 to 32	6 to 120 / 1.6 to 32	6 to 120 / 1.6 to 32	6 to 120 / 1.6 to 32
BELOW 5 CPS	10 to 100 / 2.6 to 26	10 to 100 / 2.6 to 26	10 to 100 / 2.6 to 26	10 to 100 / 2.6 to 26	10 to 100 / 2.6 to 26
ACCURACY- WITHIN (OF READING)	+/- 0.5%	+/- 0.5%	+/- 0.5%	+/- 0.5%	+/- 0.5%
REPEATABILITY	0.03%	0.03%	0.03%	0.03%	0.03%
MAXIMUM VISCOSITY (OF STANDARD MODEL)	1000 Centipoise	1000 Centipoise	1000 Centipoise	1000 Centipoise	1000 Centipoise
MAXIMUM OPERATING PRESSURE	5500kPa/ 800 PSI/ 55 BAR OR FLANGE RULE WHERE FITTED				
PULSER TYPE	REED SWITCH OR COMBINATION HE / RS	REED SWITCH OR COMBINATION HE / RS	REED SWITCH OR COMBINATION HE / RS	REED SWITCH OR COMBINATION HE / RS	REED SWITCH OR COMBINATION HE / RS
PULSES PER LITRE/ US GALLON	36 /136.3	36 /136.3	36 /136.3	36 /136.3	36 /136.3
MAX. OPERATING TEMPERATURE	80°C / 176°F	120°C / 248°F	80°C / 176°F	120°C / 248°F	80°C / 176°F
RECOMMENDED MESH STRAINER SIZE	60 MESH	60 MESH	60 MESH	60 MESH	60 MESH

Port Size To order flowmeter you must replace 'X' with the relevant number. This number will determine the following specifications:

Port Size:

- 1 = 1" BSP (F) ports
- 2 = 1" NPT (F) ports
- 3 = 1" ANSI 150lb Flange
- 4 = 1" ANSI 150lb Flange
- 5 = 25mm DIN 16 Flange
- 6 = 1" Triclover Flange
- 7 = 1" Triclover Flange

PPS = Polyphenylene Sulfide Resins

Calibrated and Display In:

- Litres
- US Gallons
- Litres
- US Gallons
- Litres
- Litres
- US Gallons

Bronze = Available in 1 or 2 port configuration only



MIO - 1" PULSE METERS WITH DELUXE LC DISPLAY

TYPE MIO - 1" PULSE METERS

Weights

MODEL	MIOARE-1	MIOARE-2	MIOARE-3	MIOARE-4	MIOARE-5	MIOASE-1	MIOASE-2
WEIGHT	2.1kg/4.63lbs	2.1kg/4.63lbs	2.8kg/6.17lbs	2.8kg/6.17lbs	2.8kg/6.17lbs	2.2kg/4.85lbs	2.2kg/4.85lbs
MODEL	MIOSRE-1	MIOSRE-2	MIOSRE-3	MIOSRE-4	MIOSRE-5	MIOSRE-6	MIOSRE-7
WEIGHT	4.7kg/10.34lbs	4.7kg/10.34lbs	6.7kg/13.4lbs	6.7kg/13.4lbs	6.7kg/13.4lbs	4.8kg/10.56lbs	4.8kg/10.56lbs
MODEL	MIOSSE-1	MIOSSE-2	MIOSSE-3	MIOSSE-4	MIOSSE-5	MIOSSE-6	MIOSSE-7
WEIGHT	4.9kg/10.78lbs	4.9kg/10.78lbs	6.9kg/15.18lbs	6.9kg/15.18lbs	6.9kg/15.18lbs	5kg/11lbs	5kg/11lbs
MODEL	MIOBRE-1	MIOBRE-2					
WEIGHT	4.9kg/10.78lbs	4.9kg/10.78lbs					

Options & Accessories

MIO - 1" METER DLX LC DISPLAY	VITON O-RING	TEFLON O-RING	EPDM O-RING	HIGH TEMP ROTORS	HIGH VISCOSITY ROTORS	HALL EFFECT SENSOR	REED SWITCH	SOLVENT KIT	HASTALLOY C SHAFTS	PROTECTIVE BOOT	EXTENDED LIFE BATTERY	REMOTE MOUNTED LC DISPLAY	HEATING JACKET	4-20mA MODULE
M10ARE-X	O	O	O	O	O	O	S	X	X	A	A	A	A	A
M10ASE-X	O	O	O	S	O	O	S	X	X	A	A	A	A	A
M10SRE-X	O	O	O	O	O	O	S	X	X	A	A	A	A	A
M10SSE-X	O	O	O	S	O	O	S	X	X	A	A	A	A	A
M10BRE-X	O	O	O	O	O	O	S	X	X	A	A	A	A	A

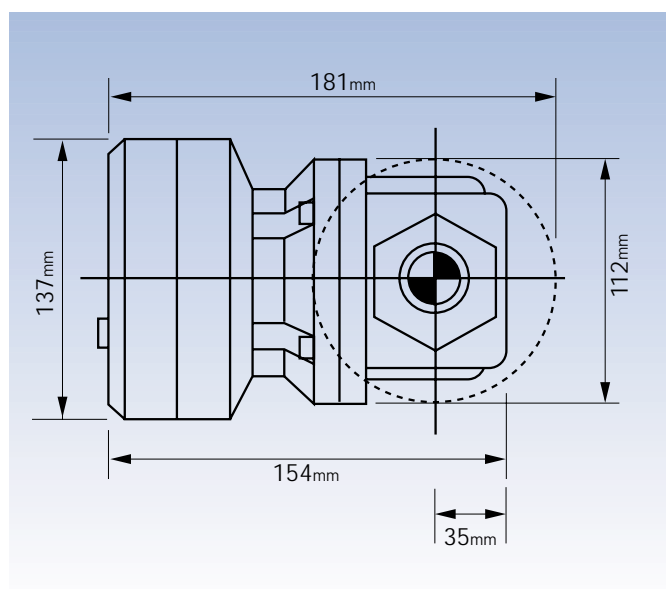
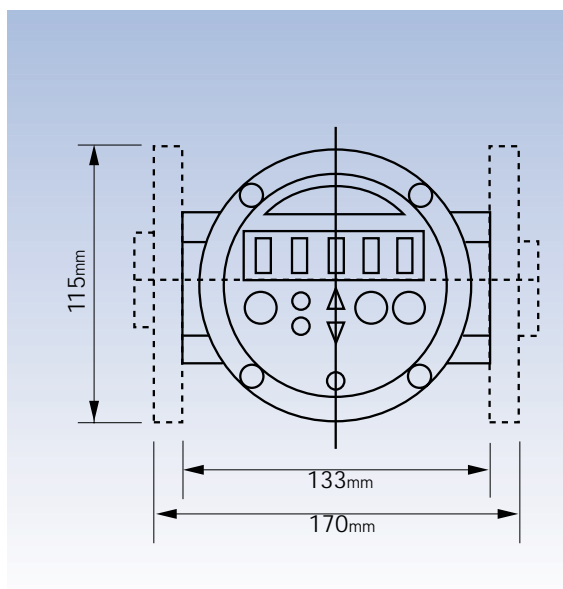
S = Standard

O = Optional

X = Not Available

A = Accessory

Dimensions



MIO - 1" METERS WITH MECHANICAL DISPLAY

The MIO is the medium capacity meter in the M Series range. It has the ability to handle a wide range of fluid viscosities with exceptional levels of repeatability and durability.



MIOARM-3

Product Benefits

- Compact size.
- Easy to read and operate mechanical display.
- Flexibility of installation options (e.g. can be mounted horizontally or vertically; no flow conditioning required).
- Low pressure drop allows for economical pump selection or gravity flow applications.
- Meter construction enables fast and easy on-site servicing without removal from application.
- Will handle particle sizes to 0.28mm/0.011".
- Meter accuracy is verified by a factory calibration check after which an individual metrology report is issued.
- Meter design minimises the number of wearable and replaceable parts and extends product life.

MODEL	MIOARM-X	MIOASM-X	MIOSRM-X	MIOSSM-X	MIOBRM-X
METER TYPE	METER WITH MECHANICAL DISPLAY	METER WITH MECHANICAL DISPLAY	METER WITH MECHANICAL DISPLAY	METER WITH MECHANICAL DISPLAY	METER WITH MECHANICAL DISPLAY
METER BODY MATERIAL	AA601 ALUMINIUM	AA601 ALUMINIUM	316 STAINLESS STEEL	316 STAINLESS STEEL	BRONZE
WETTED COMPONENTS:					
ROTOR MATERIAL	PPS	316 STAINLESS STEEL	PPS	316 STAINLESS STEEL	PPS
SHAFTS	316 STAINLESS STEEL	316 STAINLESS STEEL	316 STAINLESS STEEL	316 STAINLESS STEEL	316 STAINLESS STEEL
O-RING	NBR (NITRILE)	NBR (NITRILE)	NBR (NITRILE)	NBR (NITRILE)	NBR (NITRILE)
FLOW RATE RANGES (litres per minute/US gallons per minute)					
ABOVE 5 CPS	6 to 120 / 1.6 to 32	6 to 120 / 1.6 to 32	6 to 120 / 1.6 to 32	6 to 120 / 1.6 to 32	6 to 120 / 1.6 to 32
BELOW 5 CPS	10 to 100 / 2.6 to 26	10 to 100 / 2.6 to 26	10 to 100 / 2.6 to 26	10 to 100 / 2.6 to 26	10 to 100 / 2.6 to 26
ACCURACY- WITHIN (OF READING)	+/- 1%	+/- 1%	+/- 1%	+/- 1%	+/- 1%
REPEATABILITY	0.03%	0.03%	0.03%	0.03%	0.03%
MAXIMUM VISCOSITY (OF STANDARD MODEL)	1000 Centipoise	1000 Centipoise	1000 Centipoise	1000 Centipoise	1000 Centipoise
MAXIMUM OPERATING PRESSURE	3450kPa/ 500 PSI/ 34.5 BAR OR FLANGE RULE WHERE FITTED				
MAX. OPERATING TEMPERATURE	80°C / 176°F	120°C / 248°F	80°C / 176°F	120°C / 248°F	80°C / 176°F
RECOMMENDED MESH STRAINER SIZE	60 MESH	60 MESH	60 MESH	60 MESH	60 MESH

Port Size To order flowmeter you must replace 'X' with the relevant number. This number will determine the following specifications:

Port Size:

- 1 = 1" BSP (F) ports
- 2 = 1" NPT (F) ports
- 3 = 1" ANSI 150lb Flange
- 4 = 1" ANSI 150lb Flange
- 5 = 25mm DIN 16 Flange

Calibrated and Display In:

- Litres
- US Gallons
- Litres
- US Gallons
- Litres

PPS = Polyphenylene Sulfide Resins



MIO - 1" METERS WITH MECHANICAL DISPLAY

TYPE MIO - 1" METERS

Weights

MODEL	MIOARM-1	MIOARM-2	MIOARM-3	MIOARM-4	MIOARM-5
WEIGHT	1.8kg/3.97lbs	1.8kg/3.97lbs	2.6kg/5.72lbs	2.6kg/5.72lbs	2.6kg/5.72lbs
MODEL	MIOASM-1	MIOASM-2			
WEIGHT	2.2kg/4.85lbs	2.2kg/4.85lbs			
MODEL	MIOSRM-1	MIOSRM-2	MIOSRM-3	MIOSRM-4	MIOSRM-5
WEIGHT	4.2kg/9.24lbs	4.2kg/9.24lbs	6.2kg/13.64lbs	6.2kg/13.64lbs	6.2kg/13.64lbs
MODEL	MIOSSM-1	MIOSSM-2	MIOSSM-3	MIOSSM-4	MIOSSM-5
WEIGHT	4.4kg/9.68lbs	4.4kg/9.68lbs	6.4kg/14.08lbs	6.4kg/14.08lbs	6.4kg/14.08lbs
MODEL	MIOBRM-1	MIOBRM-2			
WEIGHT	4.9kg/10.78lbs	4.9kg/10.78lbs			

Options & Accessories

MIO - 1" METER MECHANICAL DISPLAY	VITON O-RING	TEFLON O-RING	EPDM O-RING	HIGH TEMP ROTORS	HIGH VISCOSITY ROTORS	HALL EFFECT SENSOR	REED SWITCH	SOLVENT KIT	HASTALLOY C SHAFTS	PROTECTIVE BOOT	EXTENDED LIFE BATTERY	REMOTE MOUNTED LC DISPLAY	HEATING JACKET	4-20mA MODULE
M10ARM-X	O	O	O	O	O	X	X	O	X	X	X	X	A	X
M10ASM-X	O	O	O	S	O	X	X	O	X	X	X	X	A	X
M10SRM-X	O	O	O	O	O	X	X	S	X	X	X	X	A	X
M10SSM-X	O	O	O	S	O	X	X	S	X	X	X	X	A	X
M10BRM-X	O	O	O	O	O	X	X	O	X	X	X	X	A	X

S = Standard

O = Optional

X = Not Available

A = Accessory

Dimensions

